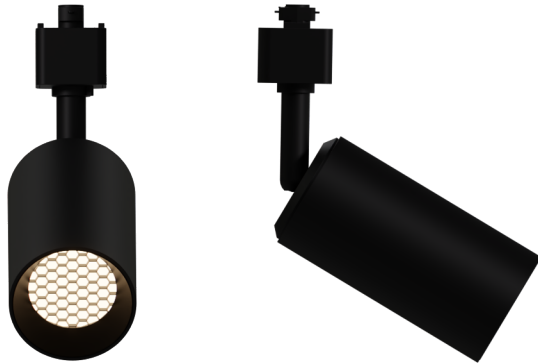


# Point small

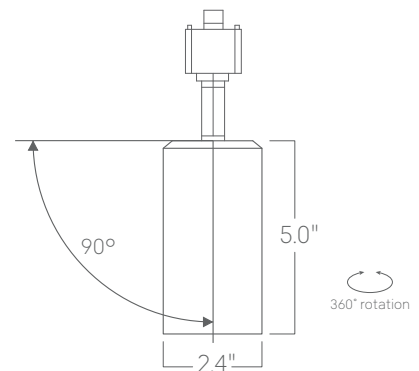


The Point Series of track heads and monopoints features unique over-center stem placement and a beveled aperture for exceptional low-glare performance; field-changeable TIR optics, and optional hex louver. Designed for use with standard line voltage track systems, drivers are integral.

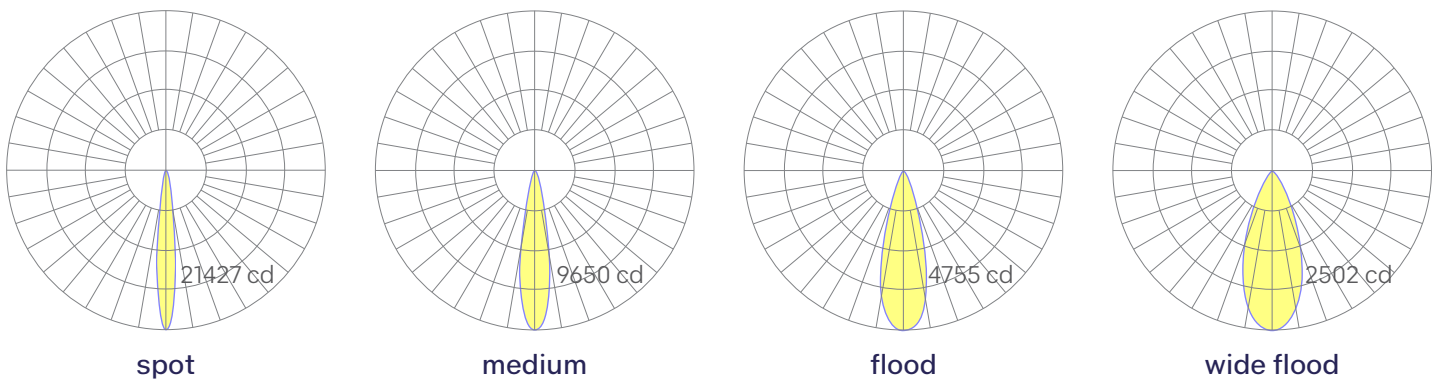
## Features

- 360 degrees rotation, 90 degrees tilt
- Seamless cast recycled aluminum cylinder
- Up to 93 lumens per watt delivered
- Field changeable, beam-shaping TIR optics
- Specifiable color temperature. CRI > 90, R9 >50
- 5 Year, 50,000 hour warranty, damp location rated
- ELV or TRIAC dimming

## Dimensions



## Optics



Representative distribution and peak CBCP, center beam candlepower For other options see order information or IES files [here](#).

# Point small

## Ordering Information

For each option group below specify one option. If you don't see your preferred option listed, contact us for [help](#).

1	Fixture ID	2	Color Temperature	3	Output	4	Finish
	POINT.SM	27	2700K/90 CRI	HIGH	High output	W	White
		30	3000K/90 CRI			BLK	Black
		35	3500K/90 CRI			SLV	Silver will extend leadtimes.
		40	4000K/90 CRI			CC	Custom Color will extend leadtimes see finish options here.
5	Voltage	6	Beam Spread	7	Track Adapter	8	Accessories
120V	120V	SP	15° Beam; 1401 lm, 21427 CD	JTYPE	J-Type Compatible	NA	None
		MED	24° Beam; 1352 lm, 9650 CD	HTYPE	H-Type Compatible	HEX	Hex Louver
		FL	36° Beam; 1331 lm, 4755 CD	GES	Global GES Compatible	DF	Diffusion Film
		WFL	60° Beam; 1292 lm, 2502 CD	STCH	Stucchi Concealed Adapter 2-Circuit 2-Neutral Compatible	LSF	Linear Spread Film 60 x 10
				TEK	Global 120V 2-Circuit, 2-Neutral Compatible		
				All Point heads are provided with J-Type adapters unless otherwise specified. For more information on the adapters, see Page 3 or click <a href="#">here</a> .		All these accessories can be used at once.	

## Additional Ordering Information

If you require additional optics or accessories, see example order codes below,

POINT.SM-SP  
POINT.SM-HEX

POINT.M.SM-FL  
POINT.M.SM-DF

### Performance

Beam Spread <sup>1</sup>	Watts	Lumens
Spot	15	1401
Medium	15	1352
Flood	15	1331
Wide Flood	15	1292

<sup>1</sup>Based on 90 CRI and 3500K luminaire using one driver.  
For 4000K multiply by 1.02, for 3000K, 0.98, for 2700K, 0.96.

### Technical Information



click [here](#) or scan QR code

Wiring diagrams, PoE and sensor details

Modification date: August, 2024

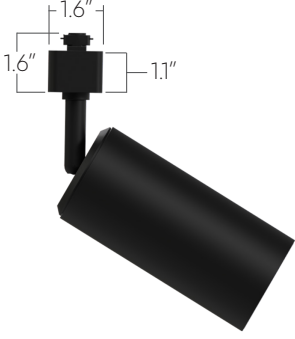
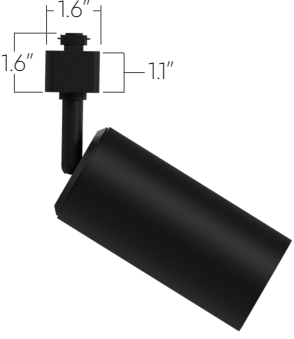
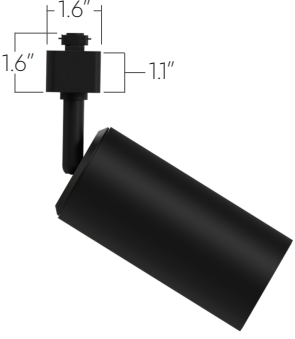
Page 2 of 3

# Point small

## Point Series Track Adapters

Important notes/features about the track adapters,

- Track Adapters are tied to specific voltages (Make sure you specify the correct adapter to your voltage requirements),
  - 120V Adapters: J-Type, H-Type, GES, TEK
  - 277V Adapters: HTEK
  - Universal (120V or 277V) Adapters: STCH (Stucchi)
- Point Small & Medium are 120V only while the Point Large is Universal, 120V or 277V.

J-Type Adapter	H-Type Adapter	GES Adapter
		
STCH Adapter	HTEK/TEK Adapter	
