

GloDrop Wide 4.0 direct

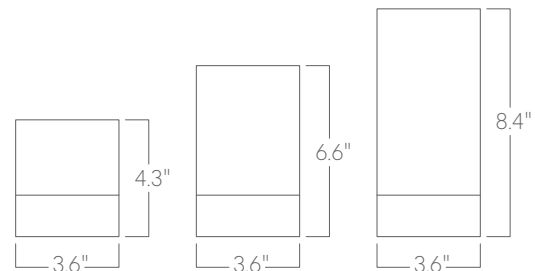


Accent lighting for surface or suspended applications. Featuring a decorative band and frosted acrylic lens, and available in four beam-spreads.

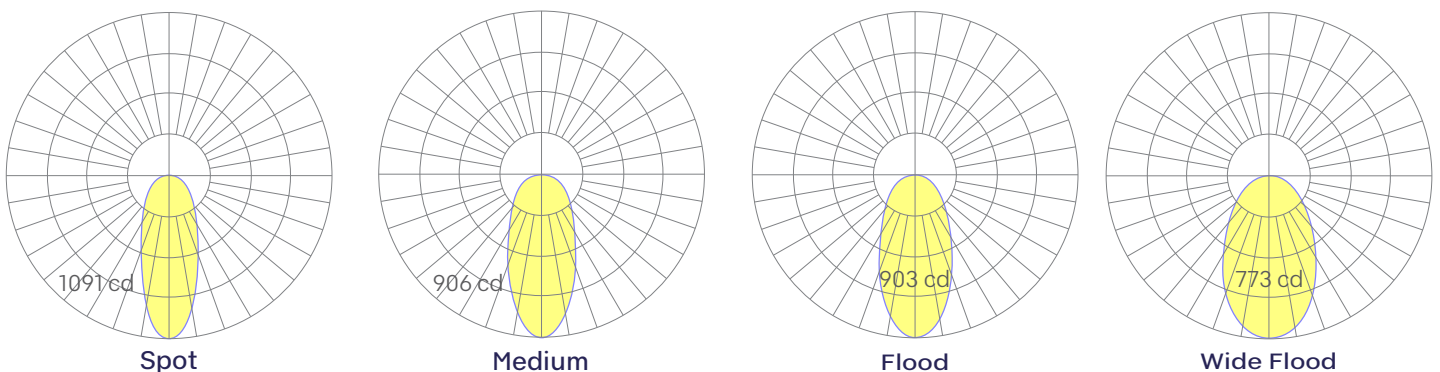
Features

- Decorative silver metallic band and frosted acrylic lens
- Extruded, recycled, premium aluminum housing
- Specifiable color temperature. CRI > 90, R9 > 50
- 5 Year, 50,000 hour warranty, damp location rated
- WELL Building Standard compatible [learn more](#)

Dimensions



Optics



Representative distribution and peak candela. For other options see order information or IES files [here](#).

GloDrop Wide 4.0 direct

Ordering Information

For each option group below specify one option. If you don't see your preferred option listed, contact us for [help](#).

1	Fixture ID	2	Length	3	Color Temperature	4	Output
	GloDrop-W	4	4 inch nominal	27	2700K/90 CRI	MED	Medium output
		6	6 inch nominal	30	3000K/90 CRI		
		8	8 inch nominal	35	3500K/90 CRI		
				40	4000K/90 CRI		
5	Voltage	6	Driver	7	Finish	8	Mounting
	UNV Universal (120/277V)	DB	Standard 0-10V 1% According to fixture size, driver may be integral or remote. See page 4.	BLK	Black	PC	Pendant Cable
				W	White		
						PS-X	Pendant Stem (12", 18", 24", 36", 48)
9	Beam Spread	10	Circuit	11	Options		
	SP 17° Beam; 1237 lm, 1554 CD	NA	None	NA	None		
	MED 22° Beam; 1251 lm, 1327 CD	EMPCCK	Emergency battery pack Supplied in a dual remote enclosure with the LED driver				
	FL 31° Beam; 1257 lm, 1094 CD	EMCKT	Emergency circuit May require additional power feeds				
	WFL 50° Beam; 1326 lm, 847 CD						

Performance

Output ¹	Watts	Lumens
Medium	18	1326

¹Based on 6" tall fixture, WFL beam spread, 90 CRI, and 3500K luminaire using one driver.
Custom outputs available. Please consult factory.
For 4000K multiply by 102; for 3000K 0.98; for 2700K 0.96.

Technical Information

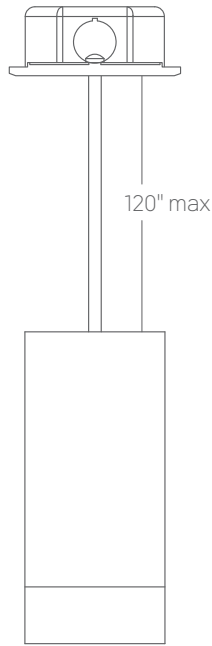


click [here](#) or scan QR code

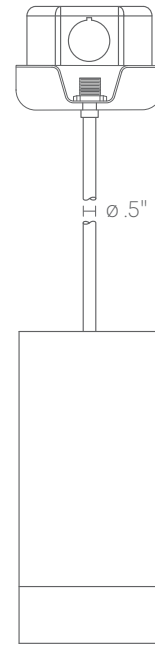
Wiring diagrams, PoE and sensor details

GloDrop Wide 4.0 direct

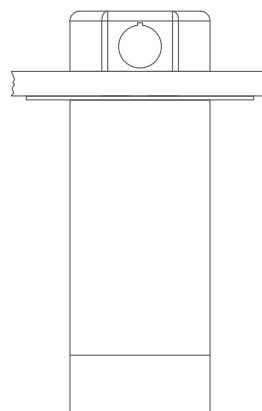
Mounting Options



Pendant cable



Pendant stem



Surface mount

GloDrop Wide 4.0 direct

Drop LED Driver Locations*

*If no emergency battery pack is specified. If emergency battery pack is specified, it will be supplied in a dual remote enclosure with LED driver.

GloDrop Narrow

direct

Height	Driver
4"	remote
6"	remote
8"	integral

GloDrop Wide

direct

Height	Driver
4"	remote
6"	integral
8"	integral

Remote Driver Distances

wire gauge	max. distance
12	100 ft
14	80 ft
16	50 ft
18	35 ft

Remote Driver Enclosure Sizes

