

# GloDrop Narrow 2.5 direct

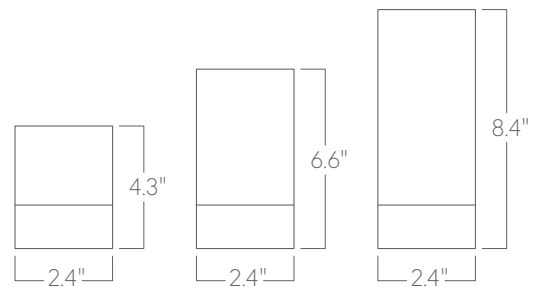


Accent lighting for surface or suspended applications. Featuring a decorative band and frosted acrylic lens, and available in four beam-spreads.

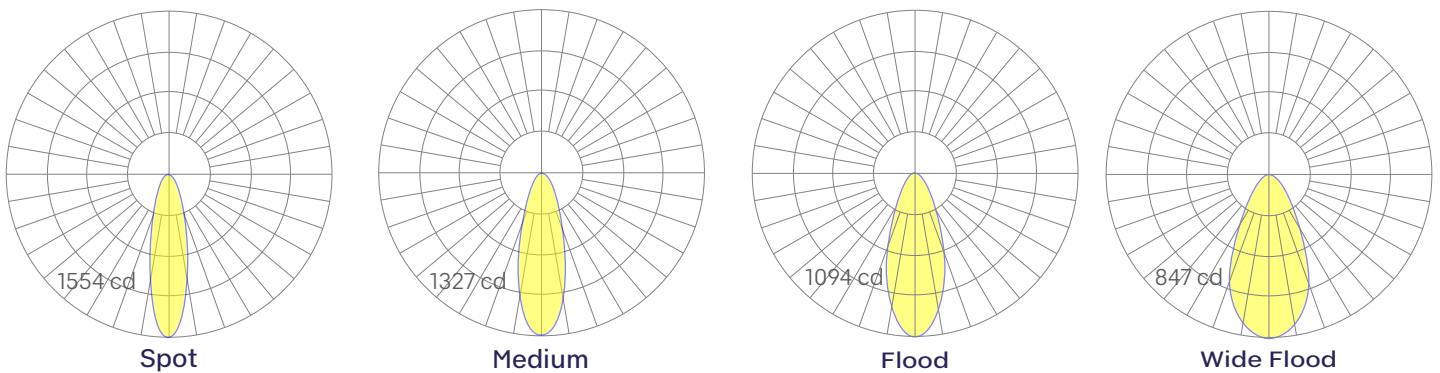
## Features

- Decorative silver metallic band and frosted acrylic lens
- Extruded, recycled, premium aluminum housing
- Specifiable color temperature. CRI > 90, R9 > 50
- 5 Year, 50,000 hour warranty, damp location rated
- WELL Building Standard compatible [learn more](#)

## Dimensions



## Optics



Representative distribution and peak candela. For other options see order information or IES files [here](#).

# GloDrop Narrow 2.5 direct

## Ordering Information

For each option group below specify one option. If you don't see your preferred option listed, contact us for [help](#).

1	Fixture ID	2	Length	3	Color Temperature	4	Output
	<b>GloDrop-N</b>	<b>4</b>	4 inch nominal	<b>27</b>	2700K/90 CRI	<b>MED</b>	Medium output
		<b>6</b>	6 inch nominal	<b>30</b>	3000K/90 CRI		
		<b>8</b>	8 inch nominal	<b>35</b>	3500K/90 CRI		
				<b>40</b>	4000K/90 CRI		
5	Voltage	6	Driver	7	Finish	8	Mounting
	<b>UNV</b> Universal (120/277V)	<b>DB</b>	Standard 0-10V 1% According to fixture size, driver may be integral or remote. See page 4.	<b>BLK</b>	Black	<b>PC</b>	Pendant Cable
				<b>W</b>	White		
						<b>PS-X</b>	Pendant Stem (12", 18", 24", 36", 48")
9	Beam Spread	10	Circuit	11	Options		
	<b>SP</b> 17° Beam; 811 lm, 1554 CD	<b>NA</b>	None	<b>NA</b>	None		
	<b>MED</b> 22° Beam; 817 lm, 1327 CD	<b>EMPCCK</b>	Emergency battery pack Supplied in a dual remote enclosure with the LED driver				
	<b>FL</b> 31° Beam; 844 lm, 1094 CD	<b>EMCKT</b>	Emergency circuit May require additional power feeds				
	<b>WFL</b> 50° Beam; 904 lm, 847 CD						

## Performance

Output <sup>1</sup>	Watts	Lumens
Medium	12	904

<sup>1</sup>Based on 6" tall fixture, WFL beam spread, 90 CRI, and 3500K luminaire using one driver.  
Custom outputs available. Please consult factory.  
For 4000K multiply by 102; for 3000K, 0.98; for 2700K, 0.96.

## Technical Information

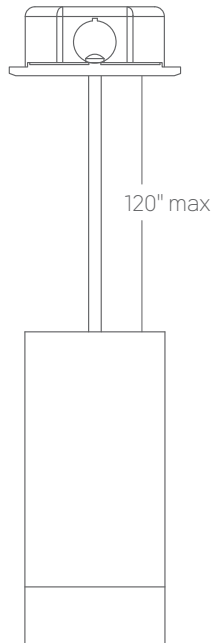


click [here](#) or scan QR code

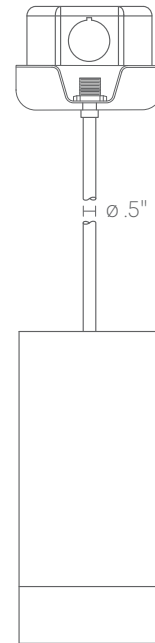
Wiring diagrams, PoE and sensor details

# GloDrop Narrow 2.5 direct

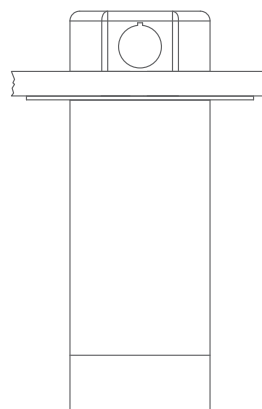
## Mounting Options



**Pendant cable**



**Pendant stem**



**Surface mount**

# GloDrop Narrow 2.5 direct

## Drop LED Driver Locations\*

\*If no emergency battery pack is specified. If emergency battery pack is specified, it will be supplied in a dual remote enclosure with LED driver.

### GloDrop Narrow

direct

Height	Driver
4"	remote
6"	remote
8"	integral

### GloDrop Wide

direct

Height	Driver
4"	remote
6"	integral
8"	integral

## Remote Driver Distances

wire gauge	max. distance
12	100 ft
14	80 ft
16	50 ft
18	35 ft

## Remote Driver Enclosure Sizes

