

Drop Wide 4.0 indirect/direct

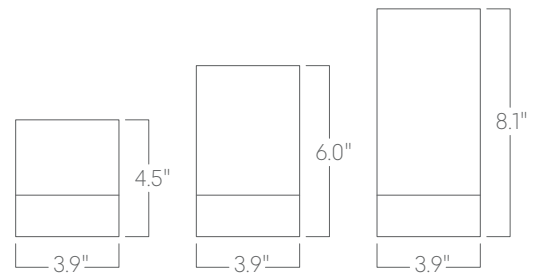


Indirect-direct accent lighting for surface or suspended applications. Available in three heights and four beam-spreads.

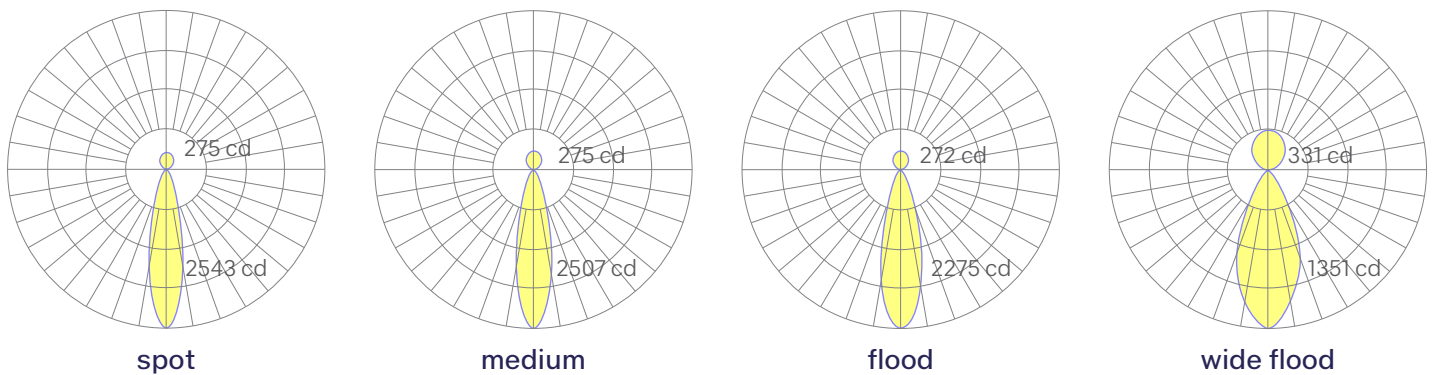
Features

- Indirect-direct light distribution
- Extruded, recycled, premium aluminum housing
- Specifiable color temperature. CRI > 90, R9 > 50
- 5 Year, 50,000 hour warranty, damp location rated
- WELL Building Standard compatible [learn more](#)

Dimensions



Optics



Representative distribution and peak candela. For other options see order information or IES files [here](#).

Drop Wide 4.0 indirect/direct

Ordering Information

For each option group below specify one option. If you don't see your preferred option listed, contact us for [help](#).

1 Fixture ID	2 Length	3 Color Temperature	4 Output
DROP WIDE UPDN	4 4 inch nominal	27 2700K/90 CRI	LOW Low output MED Medium output HIGH High output
	6 6 inch nominal	30 3000K/90 CRI	
	8 8 inch nominal	35 3500K/90 CRI	
		40 4000K/90 CRI	
5 Voltage	6 Driver	7 Finish	8 Mounting
UNV Universal (120/277V)	DB Standard 0-10V 1% According to fixture size, driver may be integral or remote. See page 4.	BLK Black W White	PC Pendant Cable PS-X Pendant Stem (12", 18", 24", 36", 48")
9 Beam Spread	10 Circuit	11 Options	
SP 17° Beam MED 25° Beam FL 41° Beam WFL 65° Beam	NA None DC Dual Circuit (separate indirect/direct control) May require additional power feeds. EMCKT Emergency circuit May require additional power feeds EMPCK Emergency battery pack Supplied in a dual remote enclosure with the LED driver	NA None HEX Hex Louver	

Performance

Output ¹	Indirect		Direct	
	Watts	Lumens	Watts	Lumens
Low	6	581	6	580
Medium	9	845	9	839
High	12	974	12	1227

¹Based on 8" tall fixture, 90 CRI, 4000K luminaire using one driver.
Custom outputs available. Please consult factory.
For 4000K multiply by 1.05; for 3000K, 0.9%; for 2700K, 0.92.

Technical Information

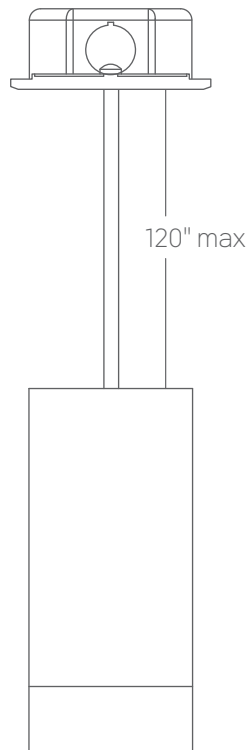


click [here](#) or scan QR code

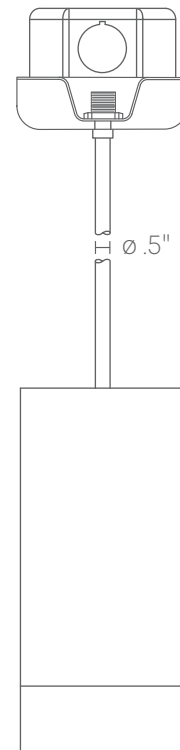
Wiring diagrams, PoE and sensor details

Drop Wide 4.0 indirect/direct

Mounting Options



Pendant cable



Pendant stem

Drop Wide 4.0 indirect/direct

Drop LED Driver Locations*

*If no emergency battery pack is specified. If emergency battery pack is specified, it will be supplied in a dual remote enclosure with LED driver.

DROP NARROW

direct

Height	Driver
4"	remote
6"	remote
8"	integral

indirect/direct

Height	Driver
4"	remote
6"	remote
8"	integral

DROP WIDE

direct

Height	Driver
4"	remote
6"	integral
8"	integral

indirect/direct

Height	Driver
4"	remote
6"	integral
8"	integral

Remote Driver Distances

wire gauge	max. distance
12	100 ft
14	80 ft
16	50 ft
18	35 ft

Remote Driver Enclosure Sizes

