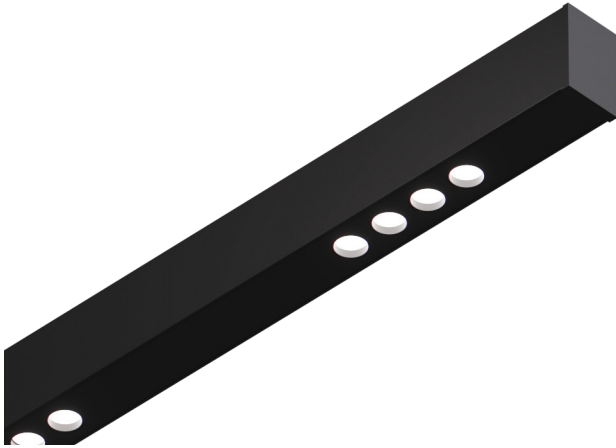


# Slick indirect/direct system

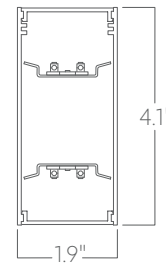


A linear system offering optional modular downlights with three available beam spreads. Custom lengths, patterns, & configurations are tailored to suit any modern space.

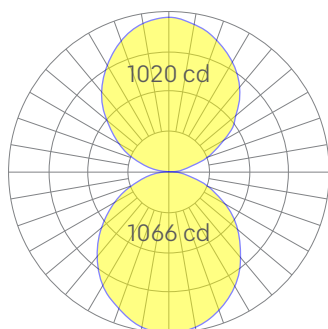
## Features

- Available with linear lenses , downlights, and blank plates
- Default four downlights per module with specifiable optics
- Customize number and placement of downlights per module
- Extruded, recycled aluminum housing
- Specifiable color temperature. CRI > 90, R9 >50
- Specifiable dimmable drivers or PoE
- Custom control solutions and finishes available
- 5 Year, 50,000 hour warranty, damp location rated
- WELL Building Standard compatible [learn more](#)

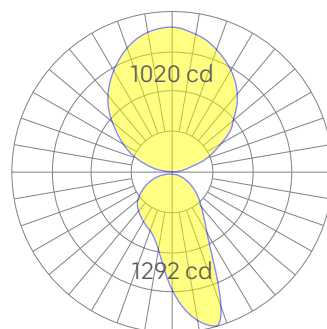
## Dimensions



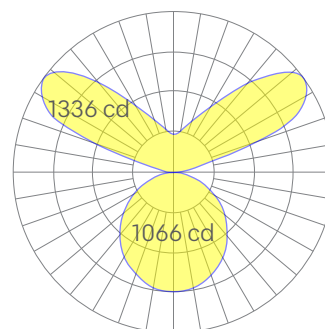
## Optics



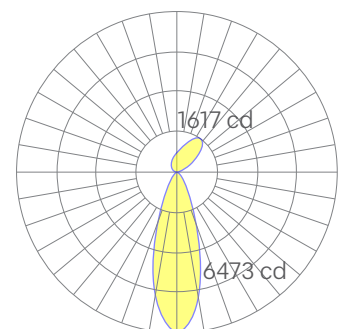
flat lens



avi asymmetric



avi-batwing



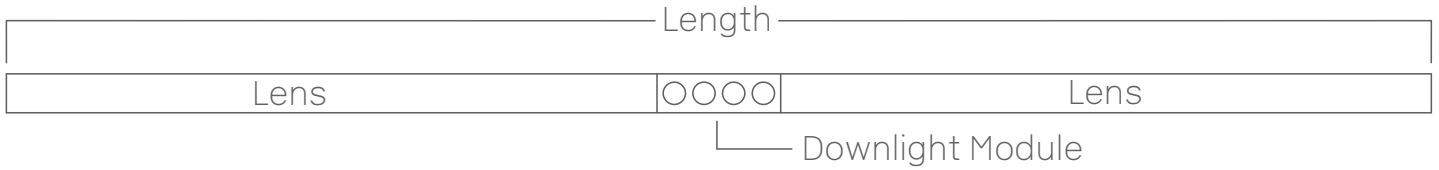
avi-ez/downlight

Representative distribution and peak candela. For other options see order information or IES files [here](#).

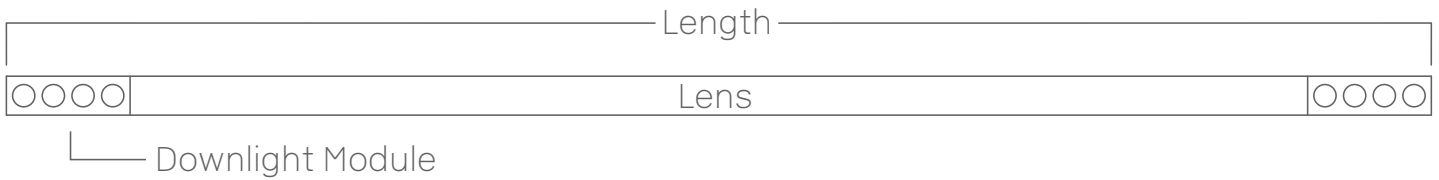
# Slick indirect/direct system

## Slick Configurations

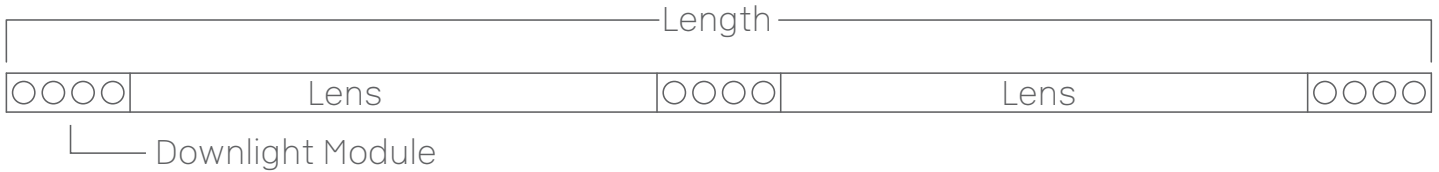
### Configuration #1



### Configuration #2



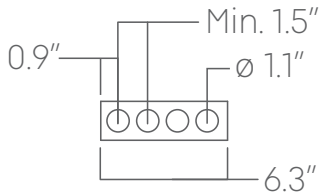
### Configuration #3



### Custom Configuration - Components

Blank Plate

Lens (Flat, Avi Asym, or BKO)



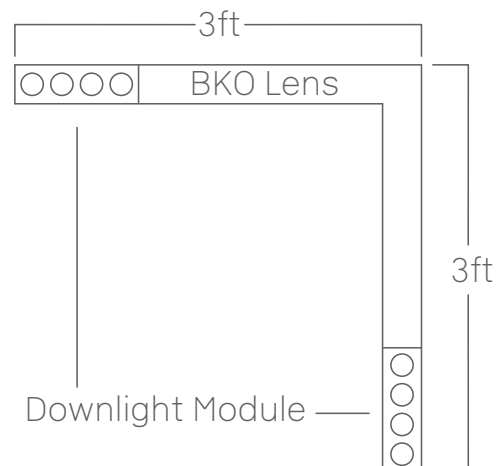
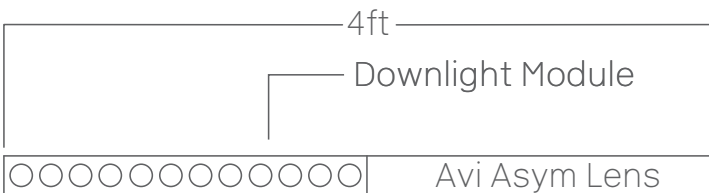
### Standard Downlight Module

### Custom Downlight Modules (Minimum one light, maximum tied to length of fixture)

### Custom Configurations

Please submit a sketch that indicates the following:

- Any desired components and their arrangement, linear or pattern. See the below examples.



Modification date: August, 2024

# Slick indirect/direct system

## Ordering Information

For each option group below specify one option. If you don't see your preferred option listed, contact us for [help](#). Please submit a sketch of luminaire system with location of downlights. See page 2.

1 SLICK UPDN	Fixture ID	2 Length	3 Color Temperature	4 Output
		<b>Length</b> <b>4</b> 4 ft <b>8</b> 8 ft <b>X'-X"</b> Specify Length  <b>Configuration</b> <b>C1</b> Configuration #1 <b>C2</b> Configuration #2 <b>C3</b> Configuration #3 <b>CUST</b> Custom Configuration Submit sketch, refer to Page 2.	<b>27</b> 2700K/90 CRI <b>30</b> 3000K/90 CRI <b>35</b> 3500K/90 CRI <b>40</b> 4000K/90 CRI <b>RGBW30</b> RGB +white, 3000k Not available for downlight module. Must use remote DMX driver. High output not available. <b>RGBW35</b> RGB +white, 3500k Not available for downlight module. Must use remote DMX driver. High output not available. <b>RGBW40</b> RGB +white, 4000k Not available for downlight module. Must use remote DMX driver. High output not available.	<b>Indirect</b> <b>LOW</b> Low output <b>MED</b> Medium output <b>HIGH</b> High output <b>CUST</b> Custom output Specify Watts or lumens  <b>Direct</b> <b>LOW</b> Low output <b>MED</b> Medium output <b>HIGH</b> High output <b>CUST</b> Custom output Specify Watts or lumens.  <b>Downlight</b> <b>LOW</b> Low output <b>MED</b> Medium output
5 Voltage	6 Driver	7 Finish	8 Mounting	
<b>UNV</b> Universal (120/277V) <b>347V</b> 347V Available for DB driver only	<b>DB</b> Standard 0-10V 1% <b>DB.1%</b> 0-10V 0.1% <b>ELV</b> Reverse Phase 1% (120V only) For compatible dimmers see <a href="#">here</a> . <b>TRI</b> Forward phase (120V only) For compatible dimmers see <a href="#">here</a> . <b>LDE1</b> Lutron Digital EcoSystem <b>DALI</b> DALI-2 Driver <b>PoE</b> Power over Ethernet. <b>DMX</b> DMX512 All DMX drivers set to default address 001 and provided in remote enclosers. Contact us for other addressing needs.	<b>W</b> White <b>BLK</b> Black <b>SLV</b> Silver <b>CC</b> Custom Color See finish options <a href="#">here</a> . <b>CWF</b> Custom Wood Finish See finish options <a href="#">here</a> .	<b>AC</b> Aircraft cable (50") <b>ACTB9</b> Aircraft cable, Tbar clip, 9/16" <b>ACTB15</b> Aircraft cable, Tbar clip, 15/16" <b>ACTBSG</b> Aircraft cable, Tbar clip, Slot Grid <b>AC3.5</b> 3.5" canopy + Jbox adaptor adaptor must be mudded-in. <b>ACCC</b> Aircraft cable to Conduit Pipe Canopy <b>PS-X</b> Pendant stem (12", 18", 24", 36", 48") <b>WM</b> Wall Mount	
9 Optics	10 Sensors/Controls	11 Circuit	12 Options	
<b>Indirect</b> <b>FL</b> Flat Diffuser <b>AVI BAT</b> 120° Batwing <b>AVI ASY</b> Asymmetric Optic <b>AVI EZ</b> Wide Asym Ceiling Throw <b>Direct</b> <b>FL</b> Flat Diffuser <b>AVI ASY</b> Asymmetric Optic <b>BKO</b> Black Optic <b>SH-SP</b> 24° beam (LS1 Sharp) <b>SH-WFL</b> 30° beam (LS1 Sharp) <b>SH-WFL44°</b> beam (LS1 Sharp) <b>Downlight</b> <b>SP</b> 24° Beam <b>FL</b> 27° Beam <b>WFL</b> 30° Beam	<b>NA</b> None <b>EIS</b> Enlighted sensor <b>WISM</b> Wattstopper Occupancy <b>WISD</b> Wattstopper Daylight <b>ACM</b> Acuity nLight® module only <b>ACS</b> Acuity nLight® (nES 7) <b>ACA</b> Acuity nLight® AIR (rES 7) <b>CCS</b> Casambi module <b>AWNR</b> Lutron Athena Wireless Node module <b>AWNS</b> Lutron Athena Wireless Sensor module <b>OTHER</b> Consult factory	<b>NA</b> None <b>DC</b> Dual Circuit (separate indirect/direct control) May require additional power feeds. <b>TC</b> Triple Circuit (separate indirect/direct/downlight control) May require additional power feeds. <b>EMPCCK</b> Emergency battery pack <b>EMCKT</b> Emergency circuit May require additional power feeds <b>DAYCKT</b> Daylight circuit May require additional power feeds.	<b>Linear</b> <b>STD</b> White Canopy + White Cord <b>CAN-X</b> Canopy + color See finish options <a href="#">here</a> . <b>SJ-BLK</b> Black cord <b>SJ-WHT</b> White cord  <b>Downlight</b> <b>NA</b> None <b>HEX</b> Hex Louver	

## Performance

Output	Indirect <sup>1</sup>			Direct <sup>1</sup>			Downlight <sup>2</sup>	
	Watts/ft	Lumens/ft	LPW	Watts/ft	Lumens/ft	LPW	Watts	Lumens
Low	3.5	437	125	3.5	436	125	18	1268
Medium	5.5	650	118	5.5	689	125*	24	1641
High	7.5	885	118	7.5	938	125	N/A	N/A

<sup>1</sup>Based on a typically configured 90 CRI, 3500K luminaire using one driver.  
<sup>2</sup>Based on the standard four downlights setup, flood optic with 90 CRI, 3500K luminaire using one driver.  
 Custom outputs available. Please consult factory.  
 For 4000K multiply by 1.02; for 3000K, 0.98; for 2700K, 0.96.

## Technical Information



click [here](#) or scan QR code

Wiring diagrams, PoE and sensor details

Modification date: August, 2024

Page 3 of 5

# Slick indirect/direct system

## Drivers & Electrical

Integral drivers\* with 0-10V Dimming standard. Several other driver options available; see ordering information.  
\*Depending on configuration of system, remote drivers maybe required. Consult factory for more information.

## Sensors & Controls

Sensors are installed on an aluminum plate adjacent to the luminaire lens<sup>1</sup>. Coronet remains agnostic in our approach to sensors and control systems; our fixtures are compatible with most systems offered.

<sup>1</sup>Not applicable to indirect only models. Consult factory.

## Emergency Back-Up

For fixtures three-feet or longer, a 4W integral emergency driver may be wired to 4ft sections. 7W, 10W, and 12W drivers are also available (not all integral; consult factory). Emergency circuits for use with building generators are also available.

## PoE (Power over Ethernet)

Compatible with virtually all PoE systems including Moxel Coresync, Igor, Smartengine, Platformatics, and NuLED SPICEbox.

Consult factory for systems not listed. See [here](#) for more info.

## Finishes

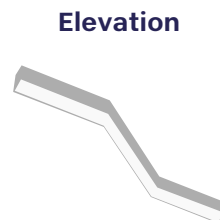
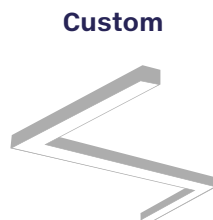
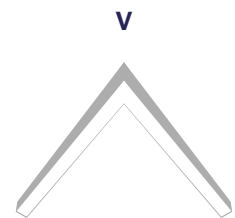
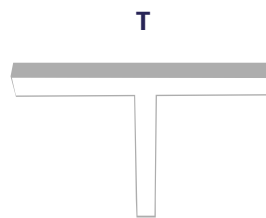
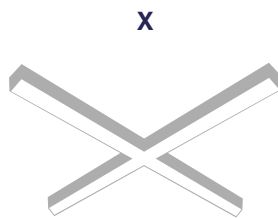
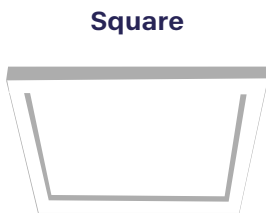
All luminaires are finished in high quality polyester powder coating. Our standard color is white. Any RAL color may be specified.

## Weight

3 lbs per foot

## Patterns

Featuring illuminated welded corners and angles. Consult factory for custom designs and elevations.



## Optics

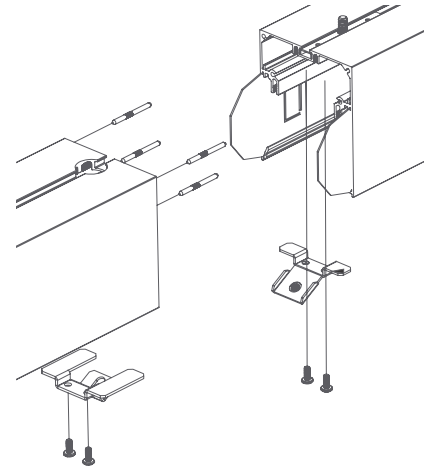
Extruded satin acrylic lenses provide excellent diffusion, high transmission, and no LED imaging.

## Construction

Housings are extruded premium, recycled aluminum. Individual fixtures are available up to 12' long and may be specified as nominal or precision lengths. Precision lengths are supplied within 1/8" tolerance.

## Joined Runs

Runs of any length may be specified and are comprised of multiple, factory-engineered, joined sections. Individually specified luminaires are not field joinable.

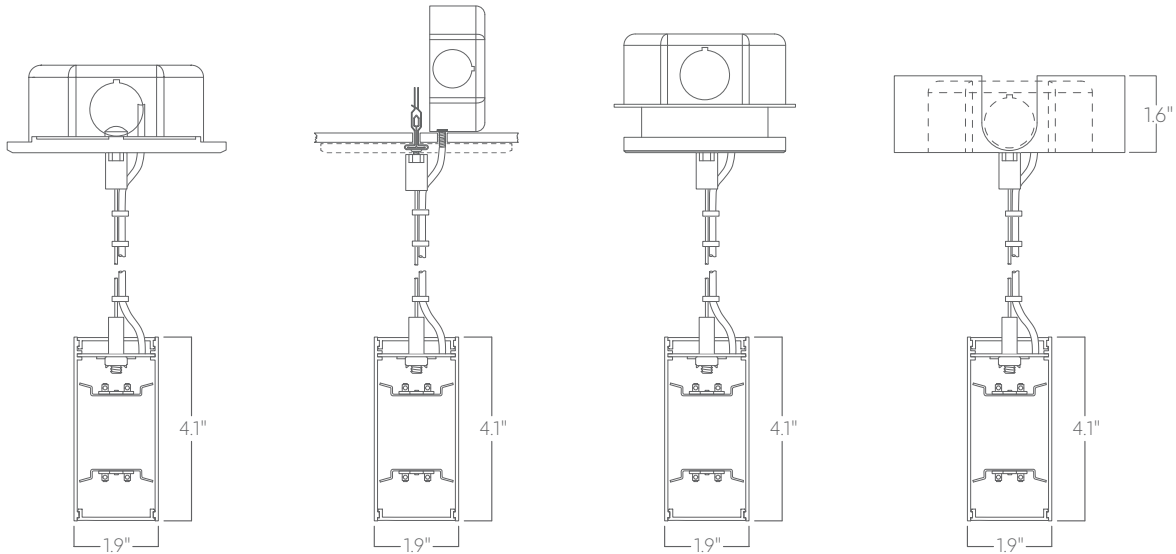


Representative joinery. For product specific details see installation guides or submittal drawings.

# Slick indirect/direct system

## Mounting Options

Custom mounting types and ceiling transitions available; consult factory.

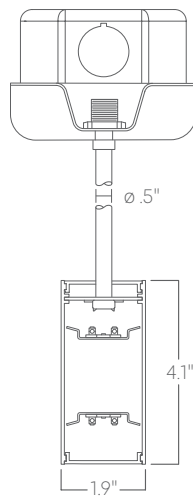


**Aircraft cable  
5" canopy**

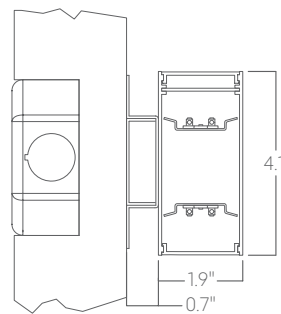
**Aircraft cable  
5" canopy, T Bar Clip**

**Aircraft cable  
3.5" canopy**

**Aircraft cable  
Conduit canopy  
with knockouts**



**Pendant stem**



**Wall mount**

Please consult factory shop drawings for suspension points.

To prevent damage to fixtures, factory designated suspension points must not be field altered.

Do not attempt installation if you do not understand the installation instructions.