

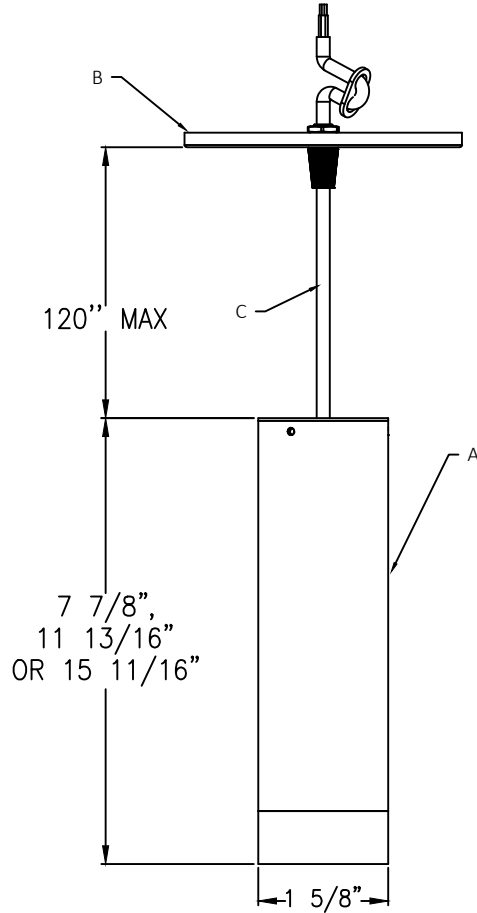


Risk of fire and electrical shock. In accordance with national local building and electrical codes, CORONET lighting fixtures must be installed by a qualified electrician. Disconnect power at electrical panel before servicing.

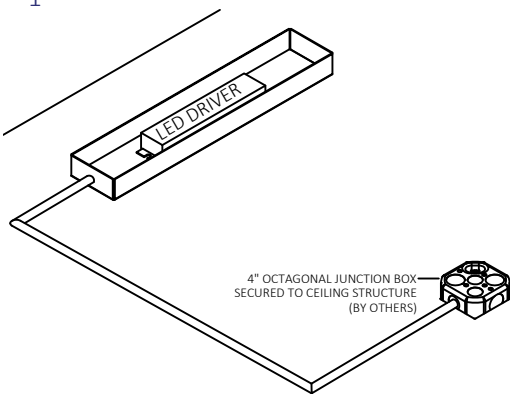
PART LIST

- A-Drop Fixture
- B-Canopy
- C-Power Cable

ISOMETRIC VIEW

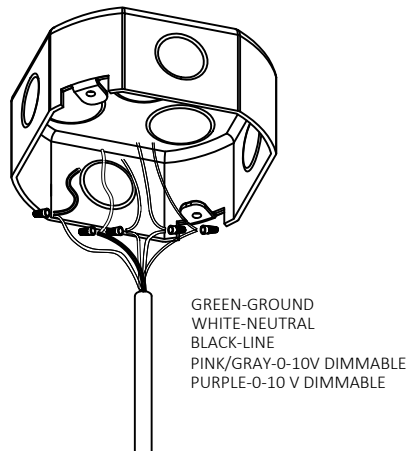


1



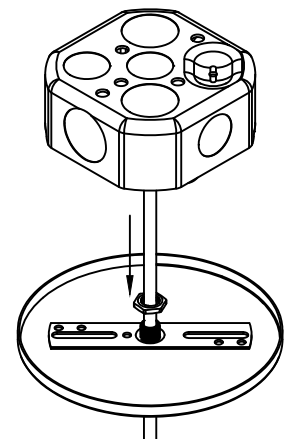
If required, install the remote driver box above the ceiling and run conduit that is not longer than 30ft in length from the fixture.
 Note: Use whip or plenum cable (both by others) from the junction box to the remote box.
 Junction box (by others) to be installed by a qualified electrician.

2



With the power to the fixture circuit off, connect the fixture power cord to the power feed in the junction box.
 (Wire connectors by others)

3

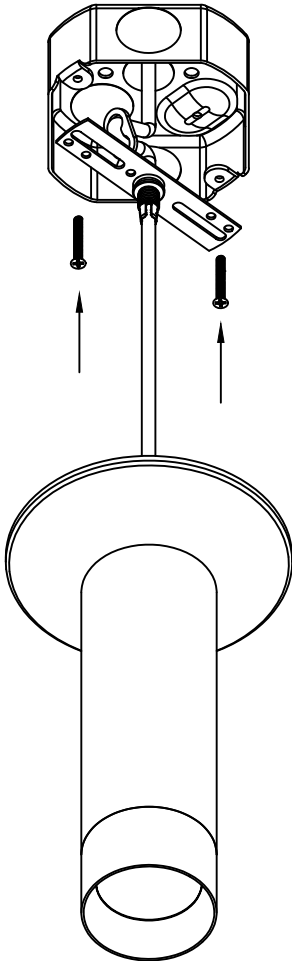


Adjust the fixture to the desired height and lock it in place by tightening the nut above the cross bar.



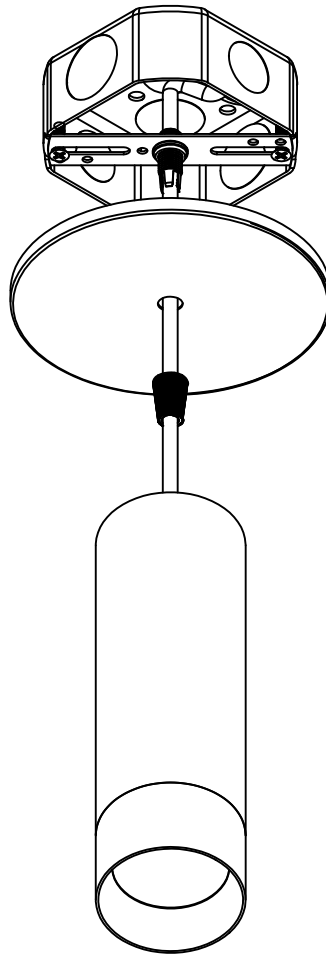
Risk of fire and electrical shock. In accordance with national local building and electrical codes, CORONET lighting fixtures must be installed by a qualified electrician. Disconnect power at electrical panel before servicing.

4



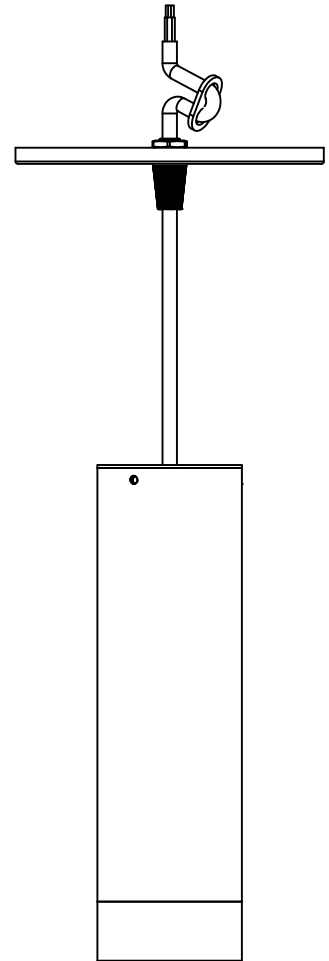
Mount the crossbar to the junction box with 8-32 flat head screws (provided).

5



Secure canopy in place using canopy coupler.

6



With the fixture installed, power it on to make sure it functions properly.

GENERAL INSTALLATION CONSIDERATIONS

Operating Temperature.....-40°C to 50°C
 Operating Voltage.....110VAC-277VAC, 50Hz-60Hz
 Weight.....Varies depending on size
 Dimensions.....See spec sheet

- Installation by a certified electrician only.
- Read and understand the installation instructions before attempting to install or use the fixture.
- Only use fixtures with voltage for which it is rated. Do not exceed the specified voltage and current input.
- Do not use the fixture if the housing, lens, or power cable is damaged.
- Ensure that the main power supply is off before installing or wiring the fixture.
- Method of wire connection to be determined by local electrical codes and regulations.
- The external flexible cable of this luminaire cannot be field replaced; if the cord is damaged, contact Coronet.
- The light source contained in this luminaire shall only be replaced by the lighting manufacturer or his service agent or a similar qualified person.

NOTE: JUNCTION BOXES MUST BE SOLIDLY FIXED TO THE CEILING AND ATTACHED TO THE STRUCTURAL MEMBER INSIDE THE CEILING BEFORE PROCEEDING WITH INSTALLATION.