

NuDrop Wide 4.0 direct

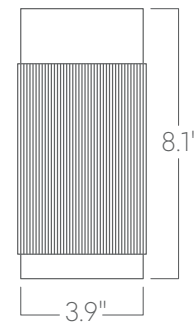


Stylish accent lighting for surface-mounted or suspended applications. Available in four beam-spreads and four finishes.

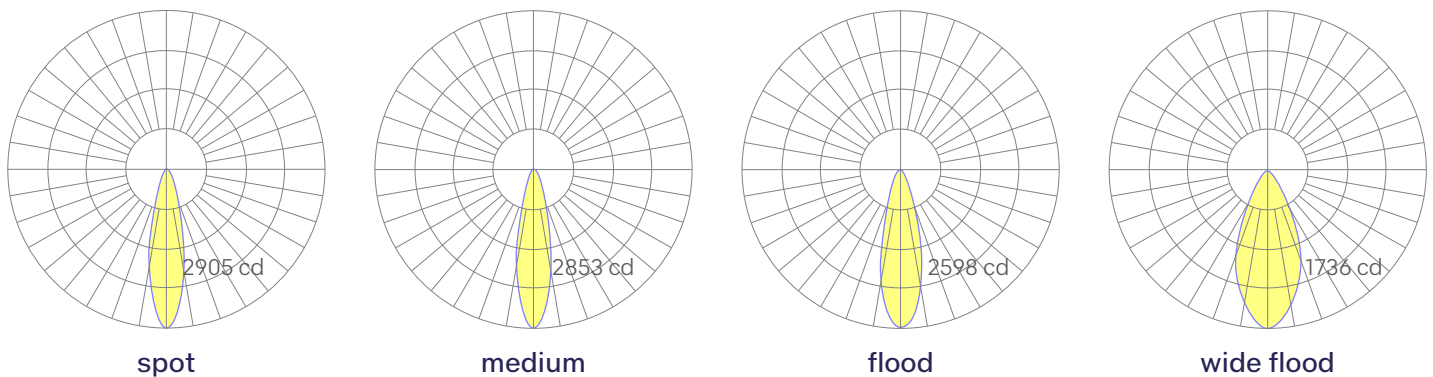
Features

- Extruded, recycled, premium aluminum housing
- Integral dimmable driver
- Decorative fluted rubber sleeve
- Four beam-spread options
- Specifiable color temperature. CRI > 90, R9 > 50
- 5 Year, 50,000 hour warranty, damp location rated

Dimensions



Optics



Representative distribution and peak candela. For other options see order information or IES files [here](#).

NuDrop Wide 4.0 direct

Ordering Information

For each option group below specify one option. If you don't see your preferred option listed, contact us for [help](#).

1	Fixture ID	2	Length	3	Color Temperature	4	Output
	NuDrop-W	8	8 inch nominal	27	2700K/90 CRI	MED	Medium output
				30	3000K/90 CRI	HIGH	High output
				35	3500K/90 CRI		
				40	4000K/90 CRI		
5	Voltage	6	Driver	7	Finish	8	Mounting
	UNV Universal (120/277V)	DB	Standard 0-10V 1% dimming	BLK	Black housing black fluted sleeve	PC	Pendant Cable
				WHT	White housing black fluted sleeve	SM	Surface Mount
				GOLD	Gold housing black fluted sleeve	CTD-SM	Connect the Drops: Surface Mount
				SILVER	Silver housing black fluted sleeve	CTD-PC	Connect the Drops: Pendant Cable
						PS-X	Pendant Stem (12", 18", 24", 36", 48")
9	Beam Spread	10	Circuit	11	Options		
	SP 17° Beam; 845 lm, 2905 CD	NA	None	NA	None		
	MED 25° Beam; 833 lm, 2854 CD	EMPCK	Emergency battery pack Supplied in a dual remote enclosure with the LED driver	HEX	Hex Louver		
	FL 41° Beam; 869 lm, 2598 CD						
	WFL 65° Beam; 1119 lm, 1736 CD	EMCKT	Emergency circuit May require additional power feeds				

Performance

Output ¹	Watts	Lumens
Medium	12	1119
High	18	1597

¹Based on 6" tall fixture, WFL beam spread, 90 CRI, and 3500K luminaire using one driver. Custom outputs available. Please consult factory.

For 4000K multiply by 102; for 3000K, 0.98; for 2700K, 0.96.

Technical Information



click [here](#) or scan QR code

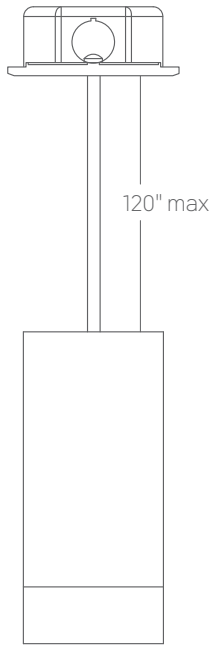
Wiring diagrams, PoE and sensor details

Modification date: August, 2024

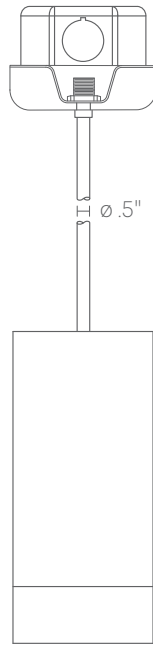
Page 2 of 5

NuDrop Wide 4.0 direct

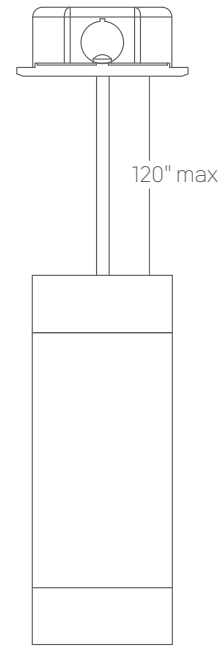
Mounting Options



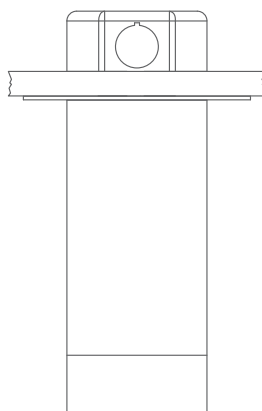
Pendant cable



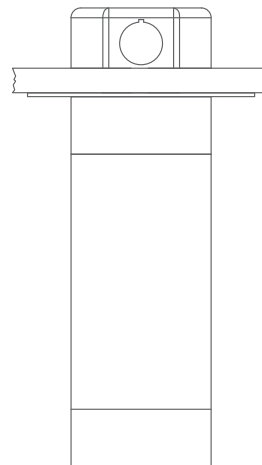
Pendant stem



Connect the drops - Pendant cable



Surface mount



Connect the drops - Surface Mount

NuDrop Wide 4.0 direct

Drop LED Driver Locations*

*If no emergency battery pack is specified. If emergency battery pack is specified, it will be supplied in a dual remote enclosure with LED driver.

NuDrop Narrow

direct

Height	Driver
8"	integral

NuDrop Wide

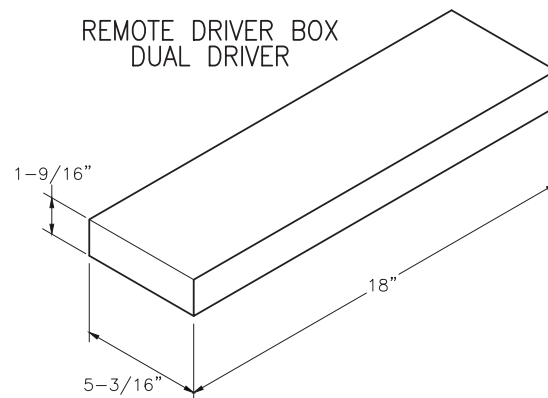
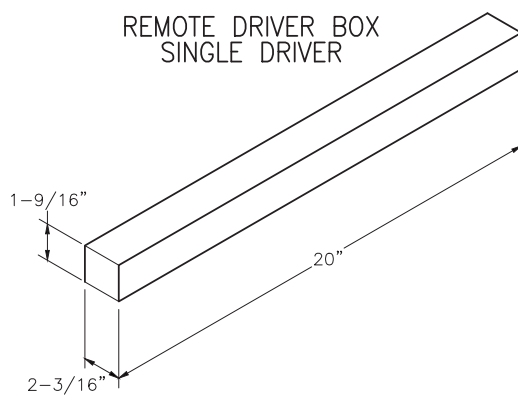
direct

Height	Driver
8"	integral

Remote Driver Distances

wire gauge	max. distance
12	100 ft
14	80 ft
16	50 ft
18	35 ft

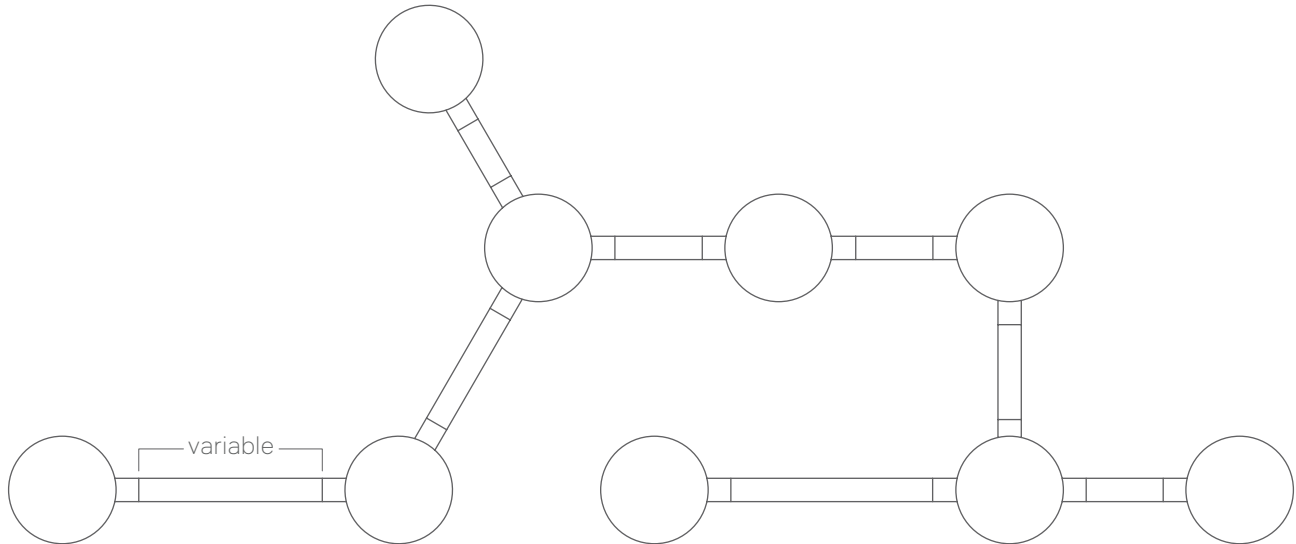
Remote Driver Enclosure Sizes



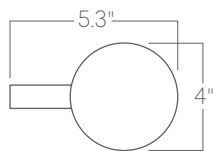
NuDrop Wide 4.0 direct

Sample Sketch

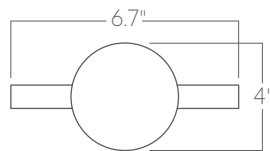
Please submit a sketch indicating the shape of the pattern and the length (8ft max) of the square conduit connecting the drops. See the below example.



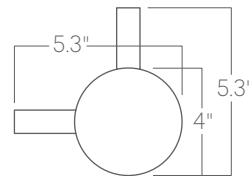
Components



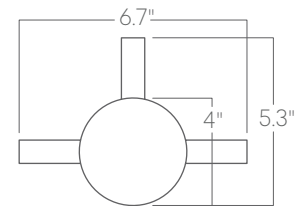
single connector



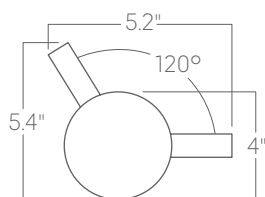
straight connector



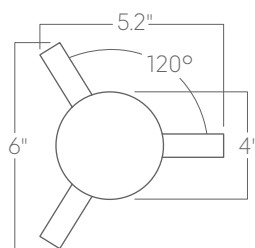
90° connector



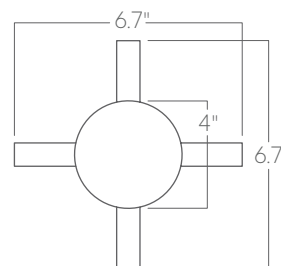
"T" connector



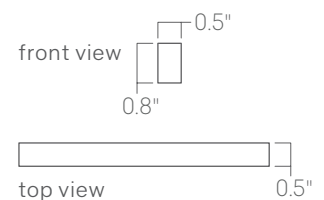
two-way 120° connector



three-way 120° connector



"X" connector



square conduit (8ft max)