

# NuDrop Narrow 2.5 direct

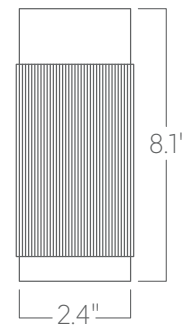


Stylish accent lighting for surface-mounted or suspended applications. Available in four beam-spreads and four finishes.

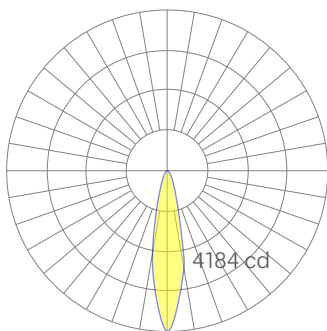
## Features

- Extruded, recycled, premium aluminum housing
- Integral dimmable driver
- Decorative fluted rubber sleeve
- Four beam-spread options
- Specifiable color temperature. CRI > 90, R9 > 50
- 5 Year, 50,000 hour warranty, damp location rated

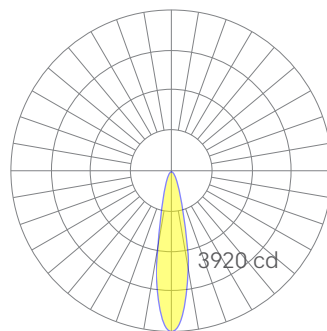
## Dimensions



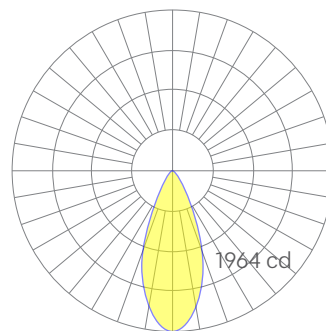
## Optics



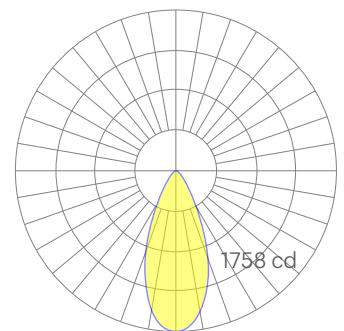
spot



medium



flood



wide flood

Representative distribution and peak candela. For other options see order information or IES files [here](#).

# NuDrop Narrow 2.5 direct

## Ordering Information

For each option group below specify one option. If you don't see your preferred option listed, contact us for [help](#).

1	Fixture ID	2	Length	3	Color Temperature	4	Output
	<b>NuDrop-N</b>	<b>8</b>	8 inch nominal	<b>27</b> <b>30</b> <b>35</b> <b>40</b>	2700K/90 CRI 3000K/90 CRI 3500K/90 CRI 4000K/90 CRI	<b>MED</b>	Medium output
5	Voltage	6	Driver	7	Finish	8	Mounting
	<b>UNV</b> Universal (120/277V)	<b>DB</b>	Standard 0-10V 1% dimming	<b>BLK</b> <b>WHT</b> <b>GOLD</b> <b>SILVER</b>	Black housing black fluted sleeve White housing black fluted sleeve Gold housing black fluted sleeve Silver housing black fluted sleeve	<b>PC</b> <b>SM</b> <b>CTD-SM</b> <b>CTD-PC</b> <b>PS-X</b>	Pendant Cable Surface Mount Connect the Drops: Surface Mount Connect the Drops: Pendant Cable Pendant Stem (12", 18", 24", 36", 48)
9	Beam Spread	10	Circuit	11	Options		
<b>SP</b> <b>MED</b> <b>FL</b> <b>WFL</b>	17° Beam; 877 lm, 4184 CD 22° Beam; 830 lm, 3920 CD 35° Beam; 1114 lm, 1946 CD 60° Beam; 1031 lm, 1758 CD	<b>NA</b> <b>EMPCK</b> <b>EMCKT</b>	None Emergency battery pack Supplied in a dual remote enclosure with the LED driver Emergency circuit May require additional power feeds	<b>NA</b> <b>HEX</b>	None Hex Louver		

## Performance

Output <sup>1</sup>	Watts	Lumens
Medium	12	1031

<sup>1</sup>Based on 6" tall fixture, WFL beam spread, 90 CRI, and 3500K luminaire using one driver.  
Custom outputs available. Please consult factory.  
For 4000K multiply by 1.02; for 3000K, 0.98; for 2700K, 0.96.

## Technical Information



click [here](#) or scan QR code

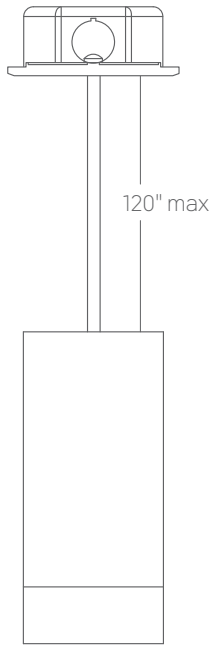
Wiring diagrams, PoE and sensor details

Modification date: August, 2024

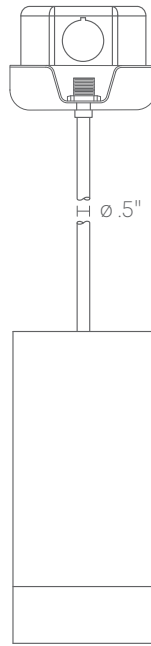
Page 2 of 5

# NuDrop Narrow 2.5 direct

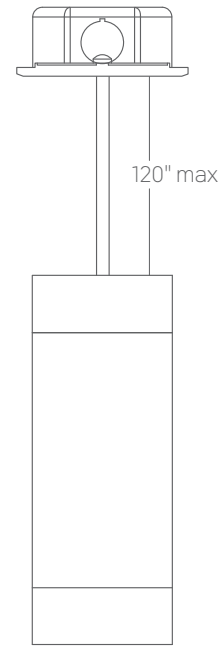
## Mounting Options



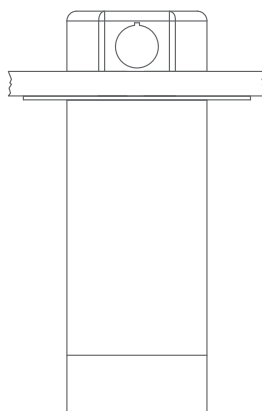
**Pendant cable**



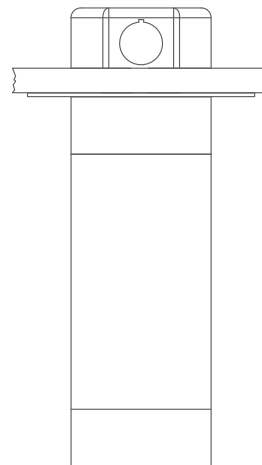
**Pendant stem**



**Connect the drops - Pendant cable**



**Surface mount**



**Connect the drops - Surface Mount**

# NuDrop Narrow 2.5 direct

## Drop LED Driver Locations\*

\*If no emergency battery pack is specified. If emergency battery pack is specified, it will be supplied in a dual remote enclosure with LED driver.

### NuDrop Narrow

direct

Height	Driver
8"	integral

### NuDrop Wide

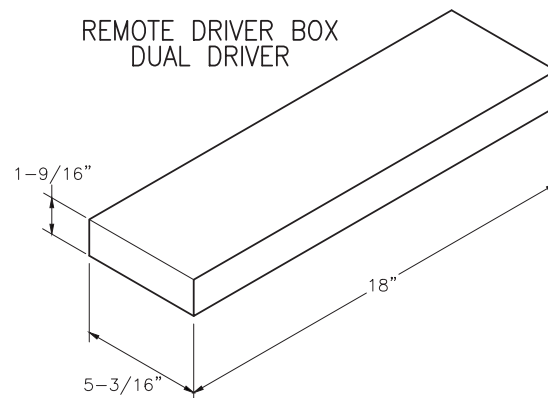
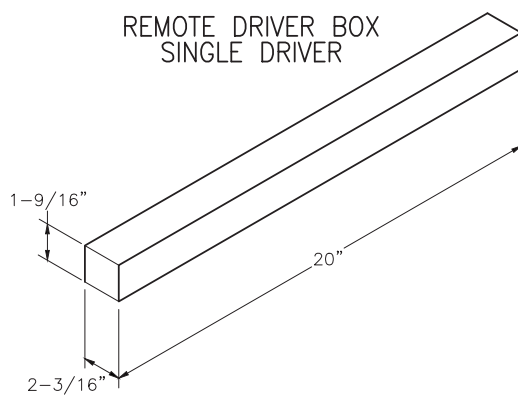
direct

Height	Driver
8"	integral

## Remote Driver Distances

wire gauge	max. distance
12	100 ft
14	80 ft
16	50 ft
18	35 ft

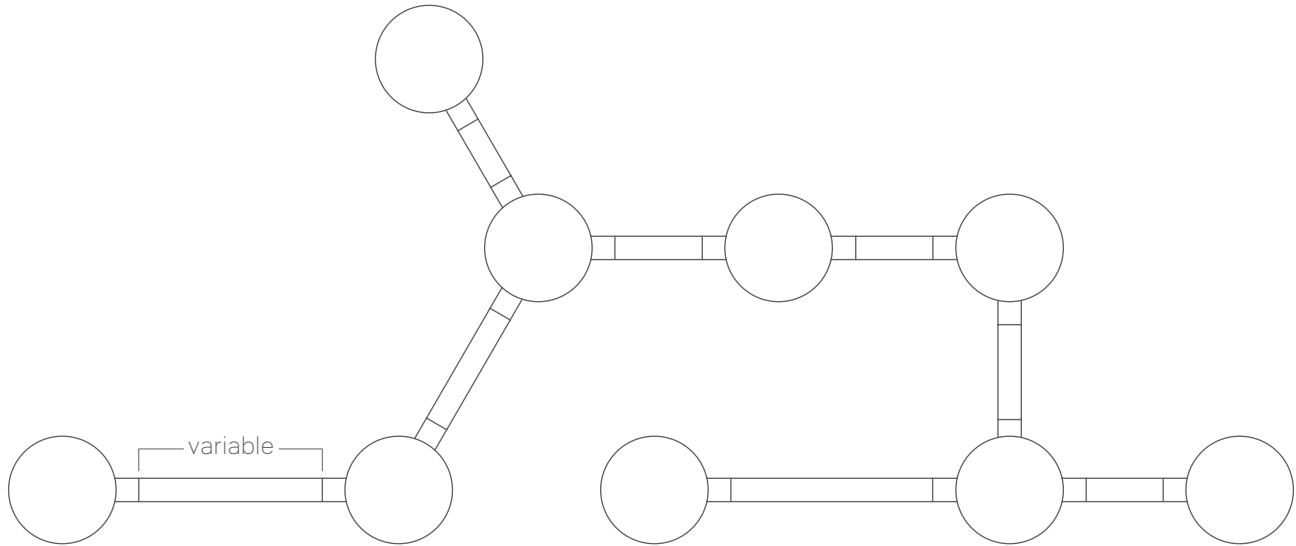
## Remote Driver Enclosure Sizes



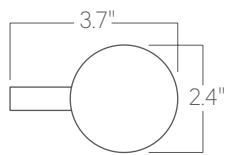
# NuDrop Narrow 2.5 direct

## Sample Sketch

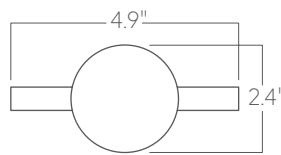
Please submit a sketch indicating the shape of the pattern and the length (8ft max) of the square conduit connecting the drops. See the below example.



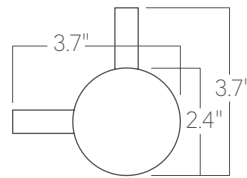
## Components



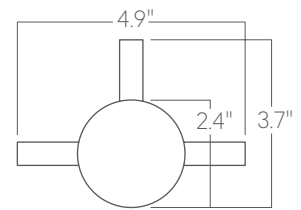
single connector



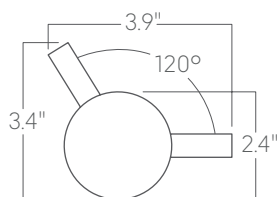
straight connector



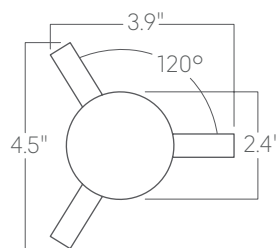
90° connector



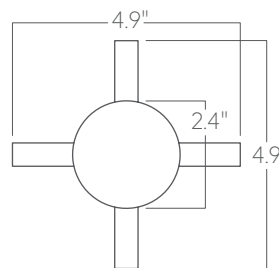
"T" connector



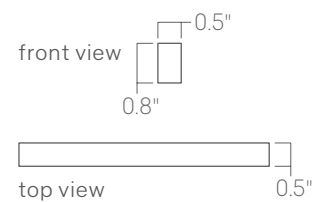
two-way 120° connector



three-way 120° connector



"X" connector



square conduit (8ft max)