

PF2 perimeter fill

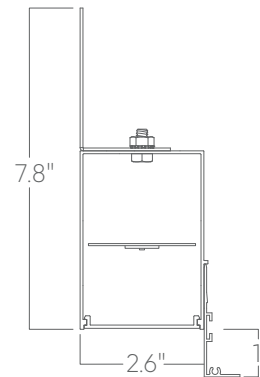


Our Perimeter Fill luminaires regress into ceilings at the edges of spaces, providing uniform ambient light. Custom lengths and patterns are tailored to suit any modern space.

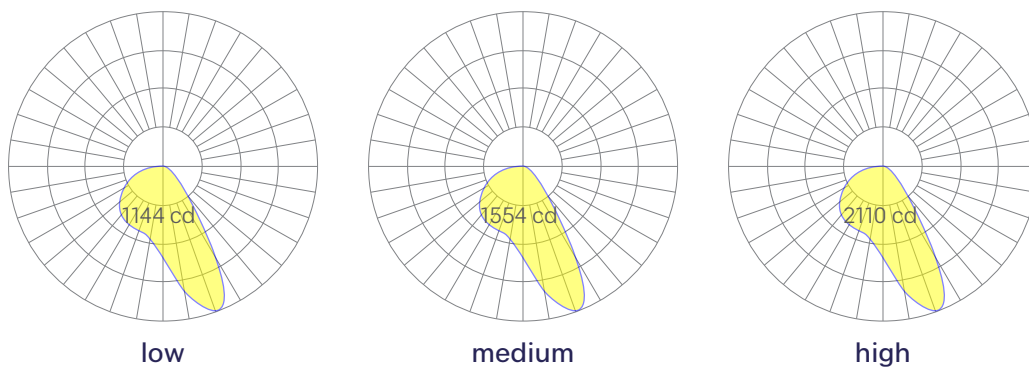
Features

- Discreet ambient lighting from room perimeter
- Extruded, recycled, premium aluminum housing
- Aluminum core LED boards, specifiable optics
- Specifiable color temperature. CRI > 90, R9 > 50
- Specifiable dimmable drivers or PoE
- Custom lengths and finishes available
- 5 Year, 50,000 hour warranty, damp location rated
- WELL Building Standard compatible [learn more](#)

Dimensions



Optics



Representative distribution and peak candela. For other options see order information or IES files [here](#).

PF2 perimeter fill

Ordering Information

For each option group below specify one option. If you don't see your preferred option listed, contact us for [help](#).

1	Fixture ID	2	Length	3	Color Temperature	4	Output
	PF2	2	2 ft	27	2700K/90 CRI	LOW	Low output
		4	4 ft	30	3000K/90 CRI	MED	Medium output
		8	8 ft	35	3500K/90 CRI	HIGH	High output
		X'-X"	Specify Length	40	4000K/90 CRI	CUST	Custom output Specify watts or lumens
		PAT	Pattern (Consult Factory)	50	5000K/90 CRI		
				WD	Warm Dim 2200K-3000K Must use WD10 driver		
				TW	Tunable White 2700K-6500K Must use TW10 driver		
				RGBW30	RGB +white, 3000k Remote DMX. High output unavailable.		
				RGBW35	RGB +white, 3500k Remote DMX. High output unavailable.		
				RGBW40	RGB +white, 4000k Remote DMX. High output unavailable.		
5	Voltage	6	Driver	7	Finish	8	Mounting
UNV	Universal (120/277V)	DB	Standard 0-10V 1%	W	White	T	9/16" Tee Grid
347V	347V Available for DB driver only	DB.1%	0-10V 0.1%	BLK	Black	T15	15/16" Tee Grid
		ELV	Reverse Phase 1% (120V only) For compatible dimmers see here .	SLV	Silver	F	Flange
		TRI	Forward Phase (120V only) For compatible dimmers see here .	CC	Custom Color See finish options here .	NT	Mud-in Flange
		LDE	Lutron Digital EcoSystem	CWF	Custom Wood Finish See finish options here .		
		DALI	DALI-2 driver				
		PoE	Power over ethernet.				
		TW10	Dual channel, 0-10V for tunable white.				
		WD10	0-10V warm dim				
		DMX	DMX512 All DMX drivers set to default address 001 and provided in remote enclosers. Contact us for other addressing needs				
9	Optics	10	Sensors/Controls	11	Circuit	12	Options
RF	Room Fill	NA	None	NA	None	NA	None
		ACM	Acuity nLight Module Only	EMPCK	Emergency battery pack	FC	Field cuttable end See page 5 for details
		CCS	Casambi Module	EMCKT	Emergency circuit May require additional power feeds.	WH6	6ft whips preinstalled
		AWNR	Lutron Athena Wireless Node Module	DAYCKT	Daylight circuit May require additional power feeds.	CP	Chicago Plenum
		OTHER	Consult Factory			WTW	Wall to wall end cap See page 6 for details

Performance

Output ¹	Watts/ft	Lumens/ft
Low	5	431
Medium	7	586
High	10	795

¹Based on a typically configured 90 CRI, 3500K luminaire using one driver. Custom outputs available. Please consult factory.
For 4000K multiply by 1.02, for 3000K 0.98, for 2700K 0.96, these multipliers also apply to Tunable White.
For Tunable White outputs, multiply by 1.05 for 5000K and by 1.1 for 6500K.

Technical Information



click [here](#) or scan QR code

Wiring diagrams, PoE and sensor details

PF2 perimeter fill

Drivers & Electrical

Integral drivers* with 0-10V Dimming standard. Several other driver options available; see ordering information.

*DMX drivers are provided in remote enclosures.

Sensors & Controls

Sensors are installed on an aluminum plate adjacent to the luminaire lens¹. Coronet remains agnostic in our approach to sensors and control systems; our fixtures are compatible with most systems offered.

¹Not applicable to indirect only models. Consult factory.

Emergency Back-Up

For fixtures three-feet or longer, a 4W integral emergency driver may be wired to 4ft sections. 7W, 10W, and 12W drivers are also available (not all integral; consult factory). Emergency circuits for use with building generators are also available.

PoE (Power over Ethernet)

Compatible with virtually all PoE systems including Moxel Coresync, Igor, Smartengine, Platformatics, and NuLED SPICEbox.

Consult factory for systems not listed. See [here](#) for more info.

Finishes

All luminaires are finished in high quality polyester powder coating. Our standard color is white. Any RAL color may be specified.

Weight

5 lbs per foot

Patterns

Featuring illuminated welded corners and angles. Consult factory for custom designs and elevations.

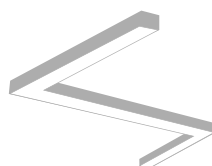
Square



V



Custom



Optics

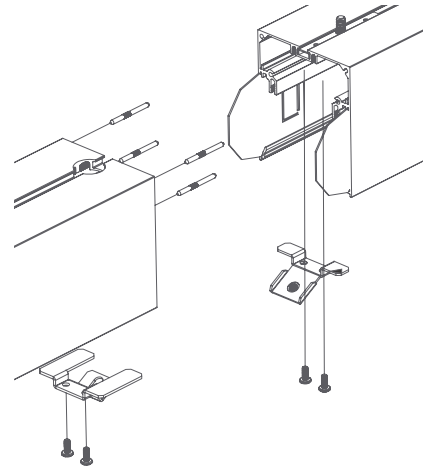
Extruded satin acrylic lenses provide excellent diffusion, high transmission, and no LED imaging.

Construction

Housings are extruded premium, recycled aluminum. Individual fixtures are available up to 12' long and may be specified as nominal or precision lengths. Precision lengths are supplied within 1/8" tolerance.

Joined Runs

Runs of any length may be specified and are comprised of multiple, factory-engineered, joined sections. Individually specified luminaires are not field joinable.

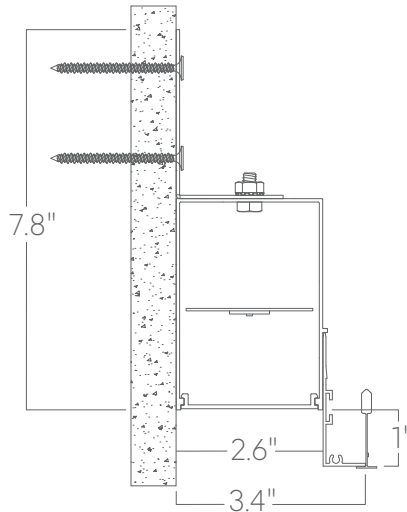


Representative joinery. For product specific details see installation guides or submittal drawings.

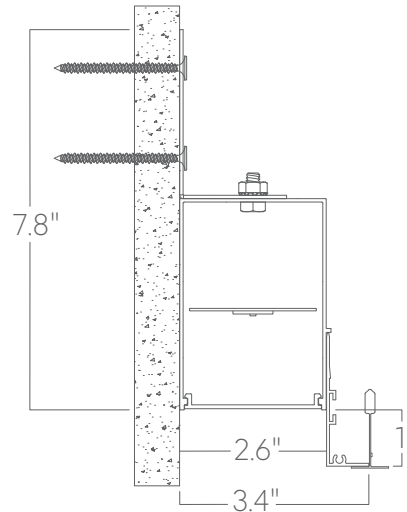
PF2 perimeter fill

Mounting Options

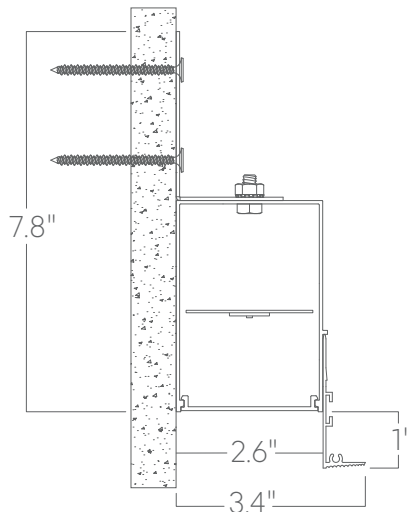
Custom mounting types and ceiling transitions available; consult factory.



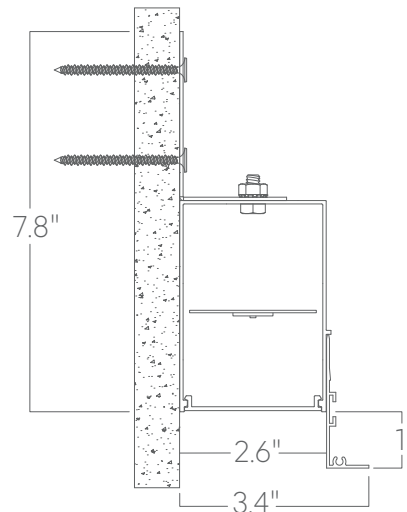
T
9/16" tee grid



T15
15/16" tee grid



NT
mud-in flange



F
flange

Please consult factory shop drawings for suspension points.

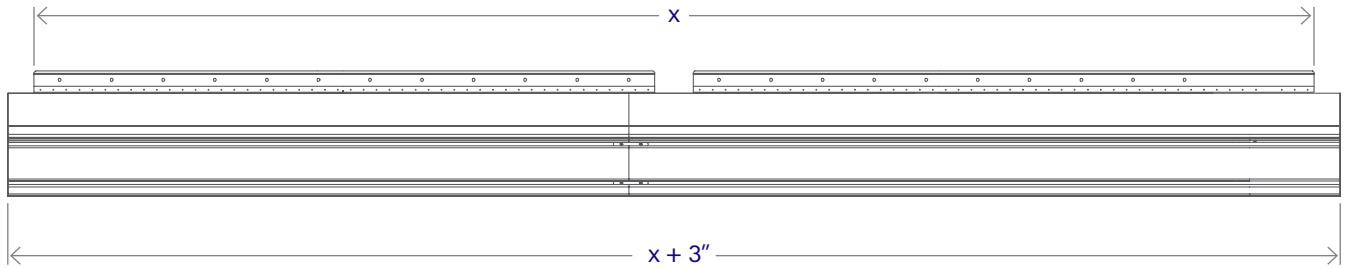
To prevent damage to fixtures, factory designated suspension points must not be field altered.

Do not attempt installation if you do not understand the installation instructions.

PF2 perimeter fill

Optional Field-Cuttable End (FC)

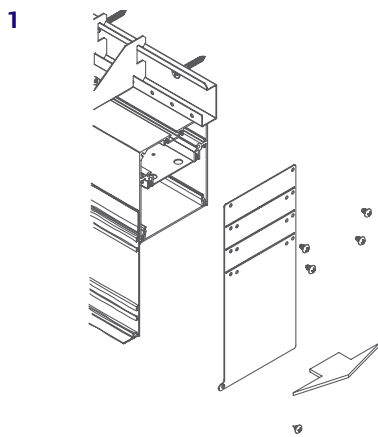
Fixtures are field-cuttable up to 3 inches for flexibility. See an example below.



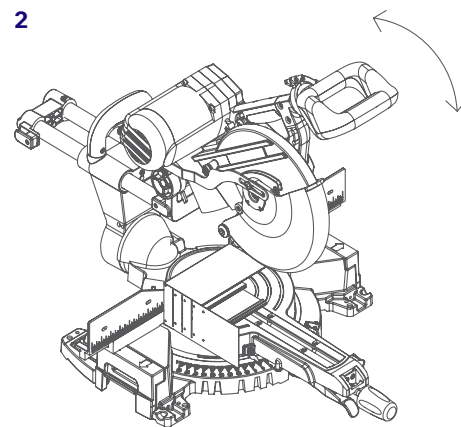
x = fixture size ordered by client

$x + 3"$ = fixture size built and supplied by Coronet

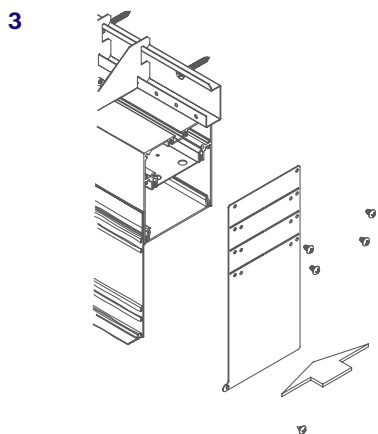
Simple installation instructions below. For complete guide, visit our website or consult factory.



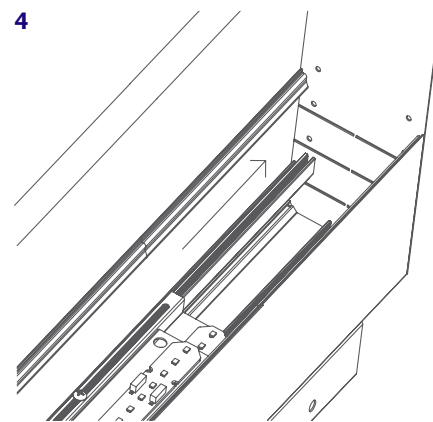
Remove end.



Cut extrusion.



Replace end.



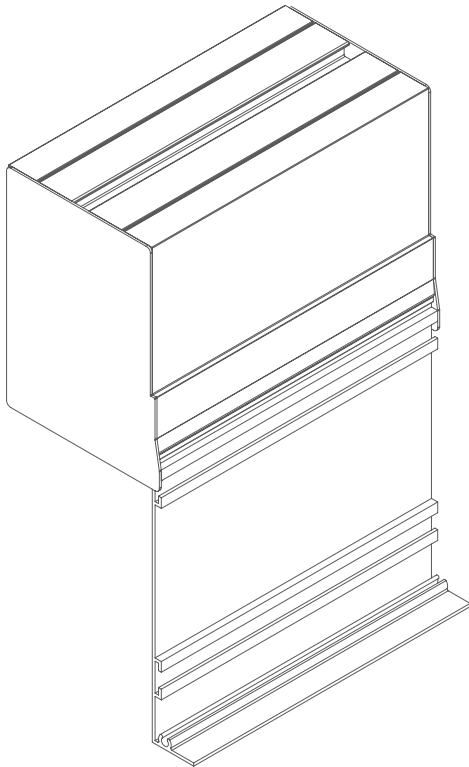
Slide adjustable LED board reflector appropriately.

PF2 perimeter fill

Optional Wall-to-Wall Endcap (WTW)

An optional wall-to-wall endcap stops at the lens and does not extend to the full drop of the fixture. See the comparison between wall-to-wall and standard endcaps below.

wall-to-wall endcap



standard endcap

