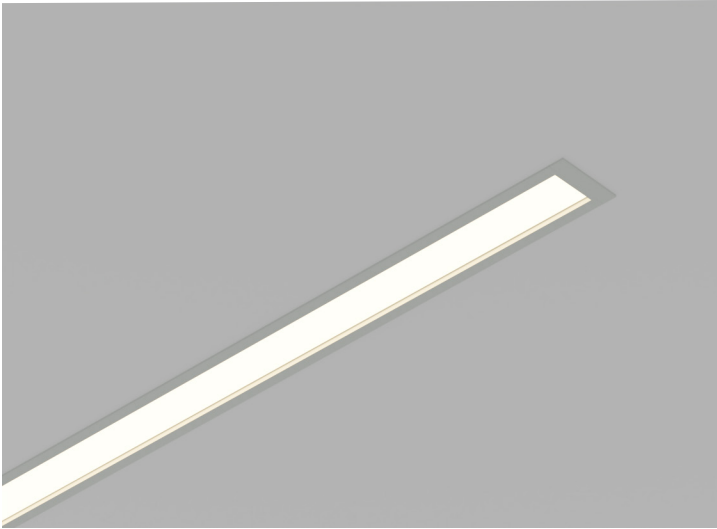


LSR Wet 2.5 Recessed

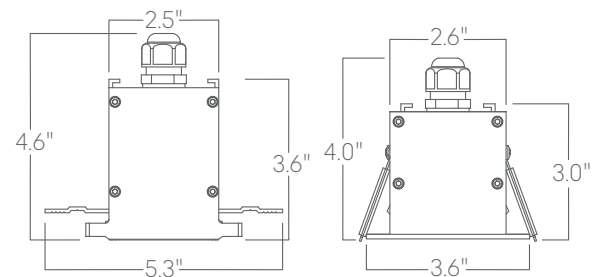


The LS Series of architectural luminaires offers a wide range of profiles and mounting options. Custom lengths are tailored to suit any modern space.

Features

- Aluminum housing with waterproof seals and connectors
- Rated for wet locations
- Aluminum core LED boards
- Specifiable color temperature. CRI > 90, R9 >50
- Custom lengths and finishes available
- Integral specifiable dimmable drivers or PoE (remote)
- 5 Year, 50,000 hour warranty

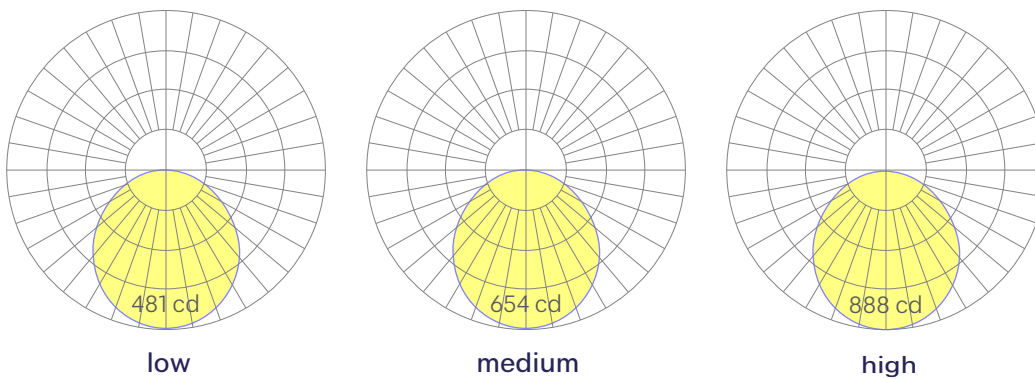
Dimensions



No Trim

Flange

Optics



low

medium

high

Representative distribution and peak candela. For other options see order information or IES files [here](#).

LSR Wet 2.5 Recessed

Ordering Information

- - - - - - - - - - -

Example: LSR WET 2.5 - 8 - 35 - MED - UNV - DB - W - NT - SD - CCS - EMPCK - NA

Fixture ID <input type="text" value="1"/>	Length <input type="text" value="2"/>	Color Temperature <input type="text" value="3"/>	Output <input type="text" value="4"/>
LSR WET 2.5	2 2 ft 4 4 ft 8 8 ft X'-X" Specify Length	27 2700K/90 CRI 30 3000K/90 CRI 35 3500K/90 CRI 40 4000K/90 CRI 50 5000K/90 CRI	LOW Low output MED Medium output HIGH High output CUST Custom output ¹
<small>¹Precision lengths may be specified to the nearest 1/8". Maximum individual length of 12 feet. All lengths are nominal unless specified to be exact.</small>			
Voltage <input type="text" value="5"/>	Driver <input type="text" value="6"/>	Finish <input type="text" value="7"/>	Mounting <input type="text" value="8"/>
UNV 347V ¹ Universal (120/277V) 347V	DB Standard 0-10V 1% DB.1% 0-10V 0.1% ELV² Reverse Phase 1% (120V only) TRI² Forward phase (120V only) LDE1 Lutron Digital EcoSystem DALI DALI-2 Driver PoE Power over ethernet (Remote) TW10 Dual channel, 0-10V for tunable white. WD10 0-10V Warm Dim PSQ Lutron T-Series 2-channel 1% for tunable white DMX¹ DMX512	W White BLK Black SLV Silver CC¹ Custom Color	F Flange NT Trimless
<small>¹Must use DB Driver</small>	<small>¹Set to default address 001. Contact us for other addressing needs. All DMX drivers provided in remote enclosures. ²For compatible dimmers, click here.</small>	<small>¹Custom Color. See finish options here.</small>	<small>¹consult factory</small>
Optics <input type="text" value="9"/>	Sensors/Controls <input type="text" value="10"/>	Circuit <input type="text" value="11"/>	Options <input type="text" value="12"/>
SD Standard Diffuser	NA None CCS Casambi Module	NA None EMPCK Emergency Battery Pack EMCKT Emergency Circuit	NA None WH 6ft whips preinstalled CP Chicago Plenum

Performance

Output ¹	Watts/ft	Lumens/ft
Low	5	328
Medium	7	446
High	10	605

¹Based on a typically configured 90 CRI, 3500K luminaire using one driver.

Custom outputs available. Please consult factory.
For 4000K multiply by 1.05; for 3000K 0.96; for 2700K, 0.92

Technical Information



click [here](#) or scan QR code

Wiring diagrams, PoE and sensor details

Modification date: June,2023

Page 2 of 4

LSR Wet 2.5 Recessed

Drivers & Electrical

Integral drivers* with 0-10V Dimming standard. Several other driver options available; see ordering information.

*DMX drivers are provided in remote enclosures.

Sensors & Controls

Sensors are installed remotely from the fixture. Coronet remains agnostic in our approach to sensors and control systems; our fixtures are compatible with most systems offered.

Emergency Back-Up

For fixtures three-feet or longer, a 4W integral emergency driver may be wired to 4ft sections. 7W, 10W, and 12W drivers are also available (not all integral; consult factory). Emergency circuits for use with building generators are also available.

PoE (Power over Ethernet)

Compatible with virtually all PoE systems including Molex Coresync, Igor, Smartengine, Platformatics, and NuLED SPICEbox. Consult Factory for systems not listed, See [here](#) for more info.

Weight

5 lbs per foot

Optics

Extruded satin acrylic lenses provide excellent diffusion, high transmission, and no LED imaging.

Construction

Housings are extruded premium, recycled aluminum.

Joined Runs

Runs of any length greater than 8 feet may be specified and are comprised of multiple, abutted, individually end-capped fixtures connected via waterproof cable connector(s).

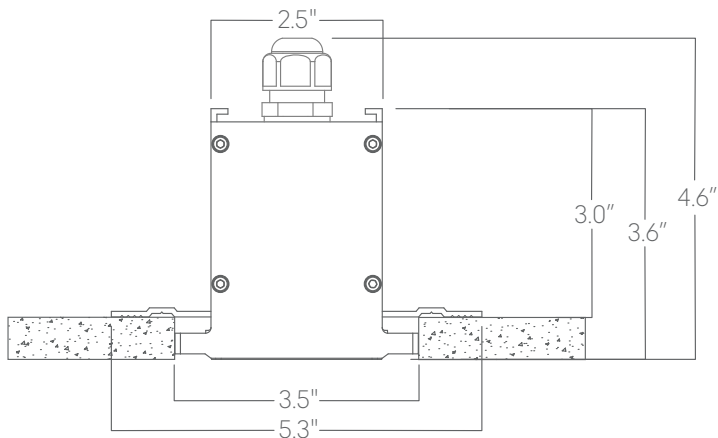
Finishes

All luminaires are finished in high quality polyester powder coating.

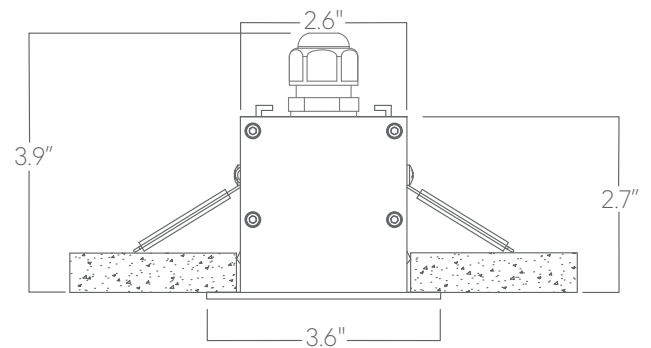
LSR Wet 2.5 Recessed

Mounting Options

Custom mounting types and ceiling transitions available; consult factory.



NT
trimless¹



F
flange