

Extra Large Spot module

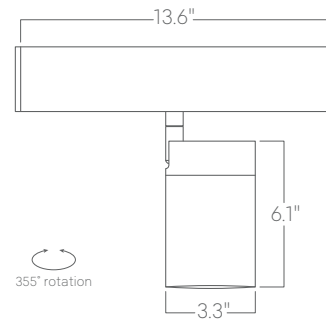


Extra Large Spot module with four beam spreads available.

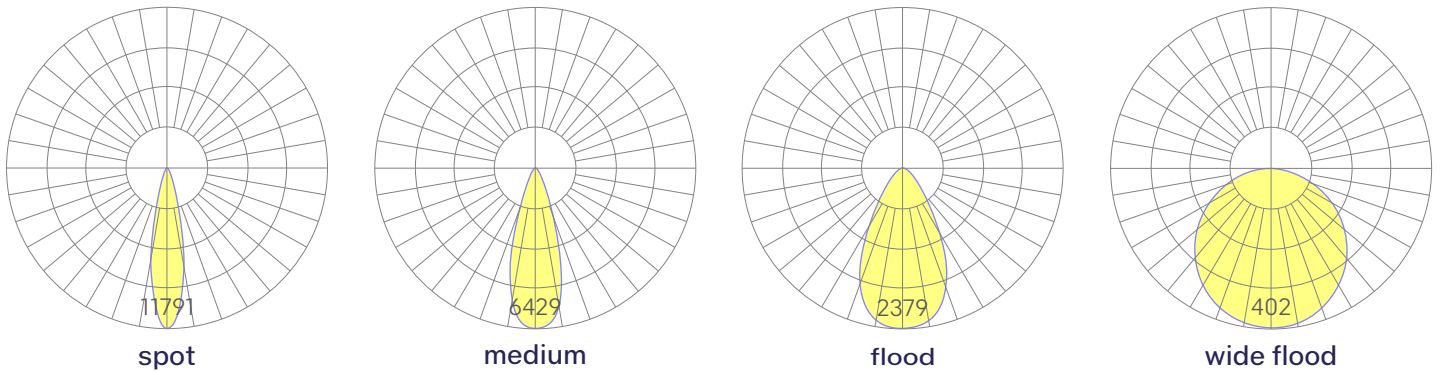
Features

- Magnetically held and easily repositioned on site
- Four beam spreads available
- Extruded, recycled, premium aluminum housing
- Aluminum core LED boards, specifiable optics
- Specifiable color temperature. CRI > 90, R9 >50
- 5 Year, 50,000 hour warranty

Dimensions



Optics



Representative distribution and peak candela. For other options see order information or IES files [here](#).

Extra Large Spot module



Ordering Information

- - - -
 1 2 3 4 5

Example: MAG-SP XLRG - 35 - MED - W - FL

Fixture ID	1	Color Temperature	2	Output	3	Finish	4
MAG-SP XLRG		27 2700K/90 CRI 30 3000K/90 CRI 35 3500K/90 CRI 40 4000K/90 CRI		MED Medium output		BLK Black W White	
Beam Spread	5	SP 15° Beam MED 24° Beam FL 38° Beam WFL 60° Beam Field changable optics, consult factory.					

Performance

Output ¹	Watts	Lumens
Medium	37	2355

Based on 'FL' option, 90 CRI, 3500K luminaire using one driver.

¹For 4000k, multiply by 1.02, for 3000k, 0.98, for 2700k, 0.96.