

ASSEMBLY INSTRUCTIONS

PART LIST

- A - LID (HS00366)
- B - LED BOARD (BD00049-XX)
- C - LENS (LN00498)
- D - TUNNEL (HS00365)
- E - BEVEL (HS00361)
- F - GRID BRACKET (BK01293)
- G - DRIVER HOUSING (HS00362)
- H - KNOCKOUT PLATE (CV00478)

- I - DRIVER
- J - DRIVER PLATE (CV00479)

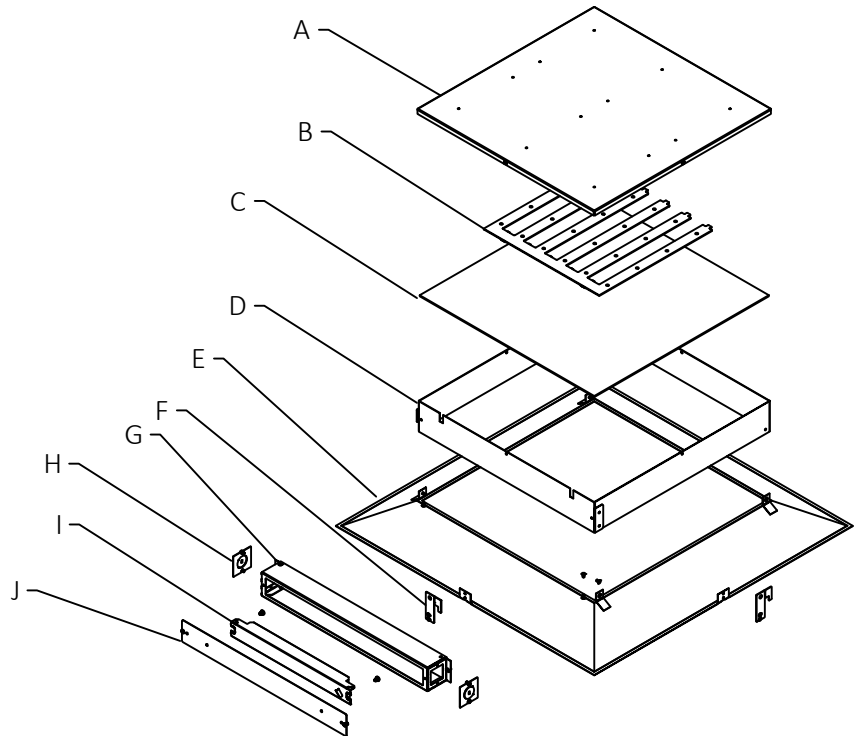
TOOLS NEEDED

- PHILLIPS SCREWDRIVER BIT
- RIVETER

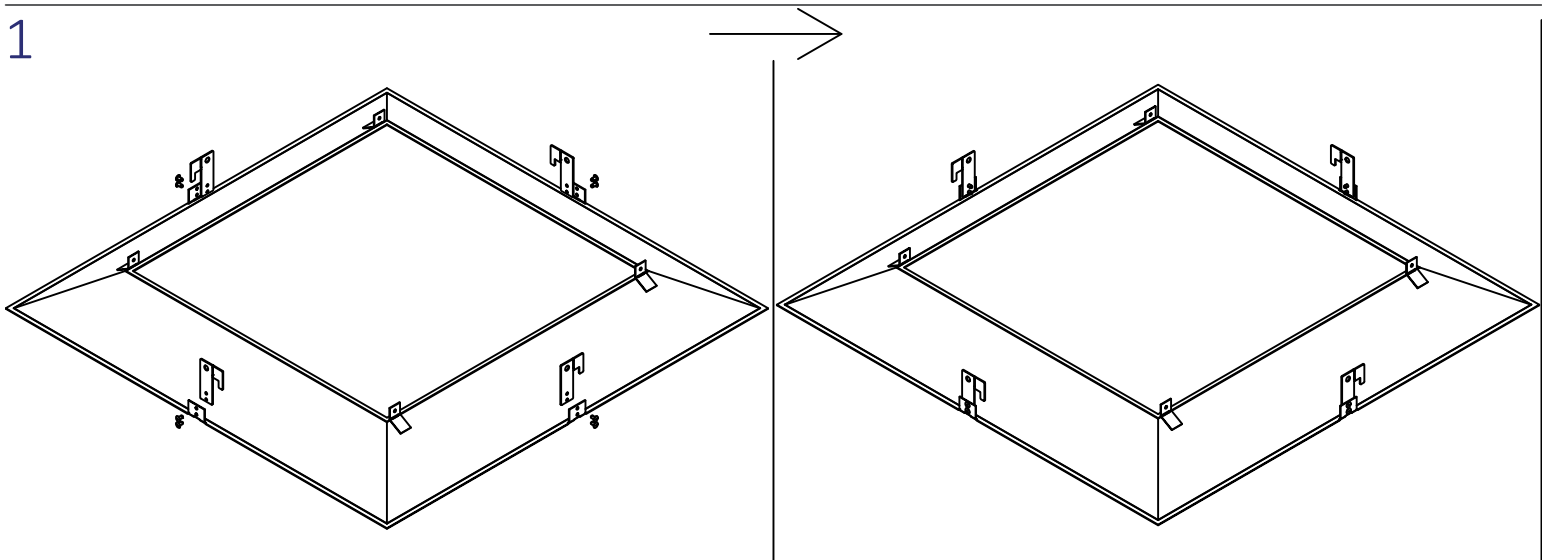
HARDWARE NEEDED

- 6-32 SCREWS
- $\frac{1}{8}$ " RIVETS

EXPLODED VIEW



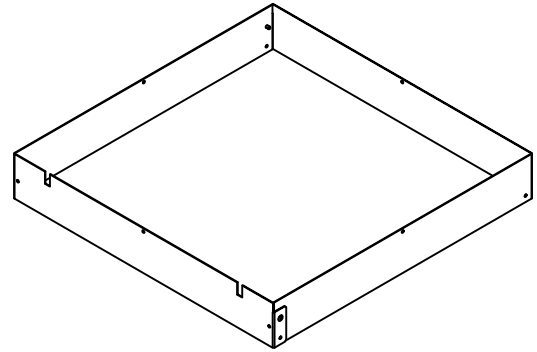
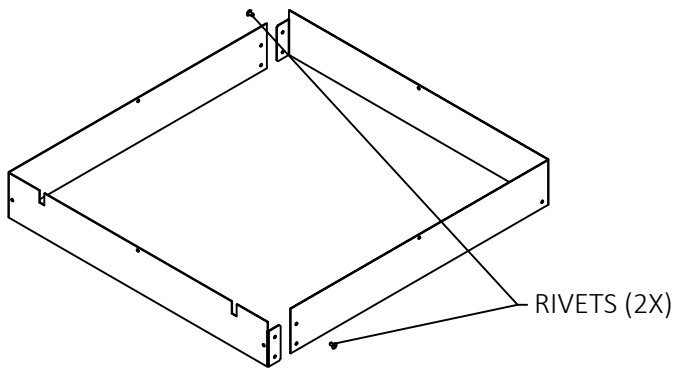
1



RIVET GRID BRACKETS (F) TO BEVEL (E) USING $\frac{1}{8}$ " RIVETS.

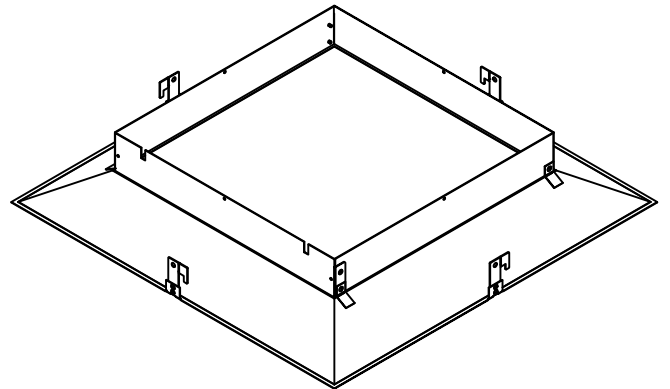
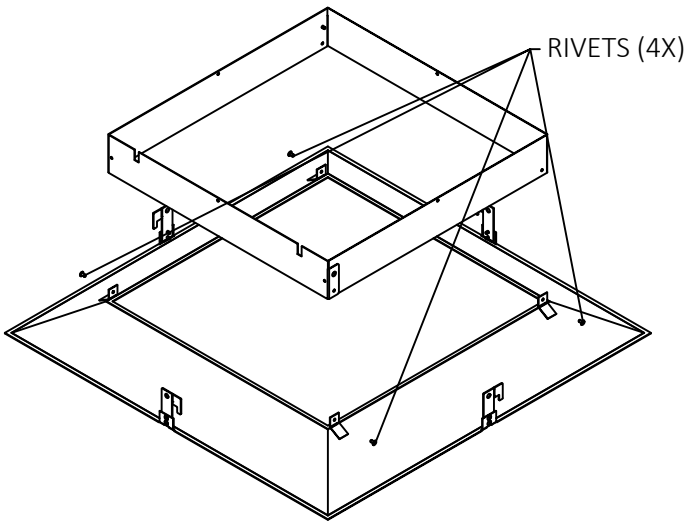
ASSEMBLY INSTRUCTIONS

2



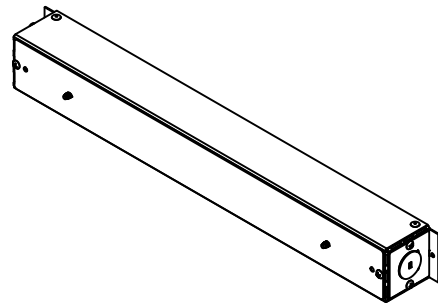
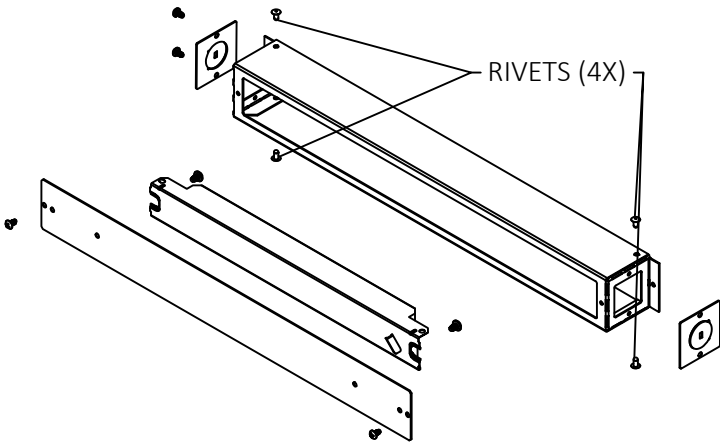
RIVET TOGETHER TUNNEL L-BRACKETS (D) USING $\frac{1}{8}$ " RIVETS. USE TOP HOLES ONLY.

3



RIVET TOGETHER TUNNEL (D) & BEVEL (E) USING $\frac{1}{8}$ " RIVETS.

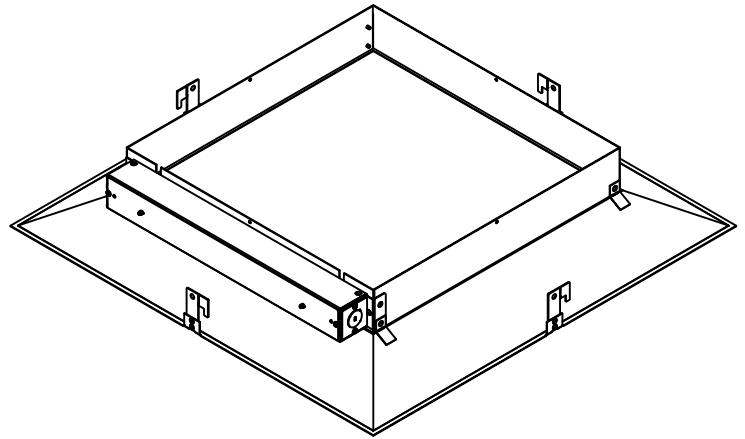
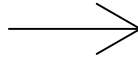
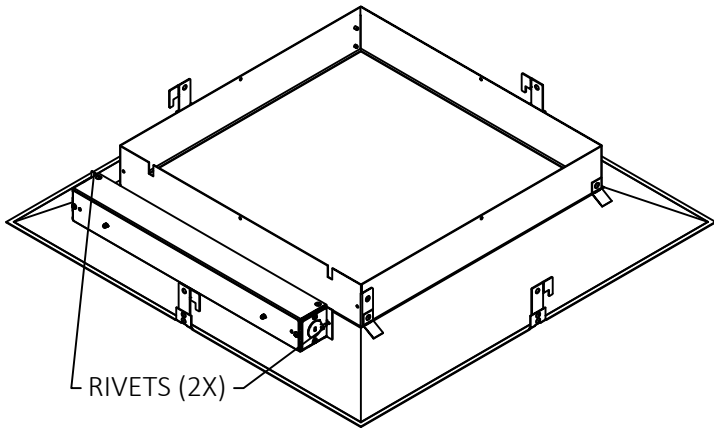
4



RIVET DRIVER HOUSING (G) WALLS TOGETHER USING $\frac{1}{8}$ " RIVETS. ASSEMBLE DRIVER HOUSING (G) TO DRIVER PLATE (H) , DRIVER (I) AND KNOCKOUT PLATES (J) USING 6-32 SCREWS.

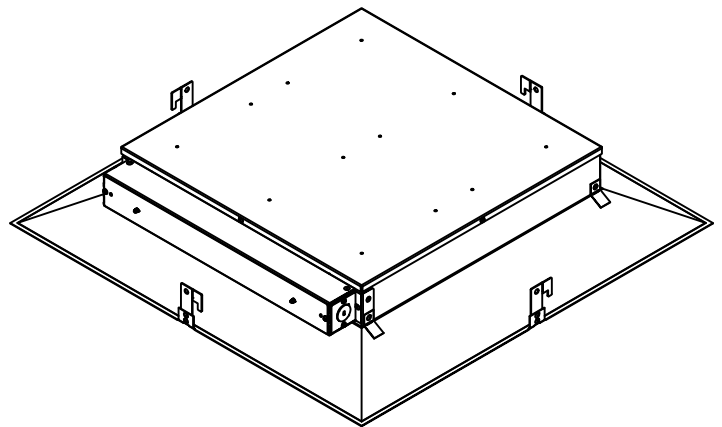
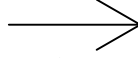
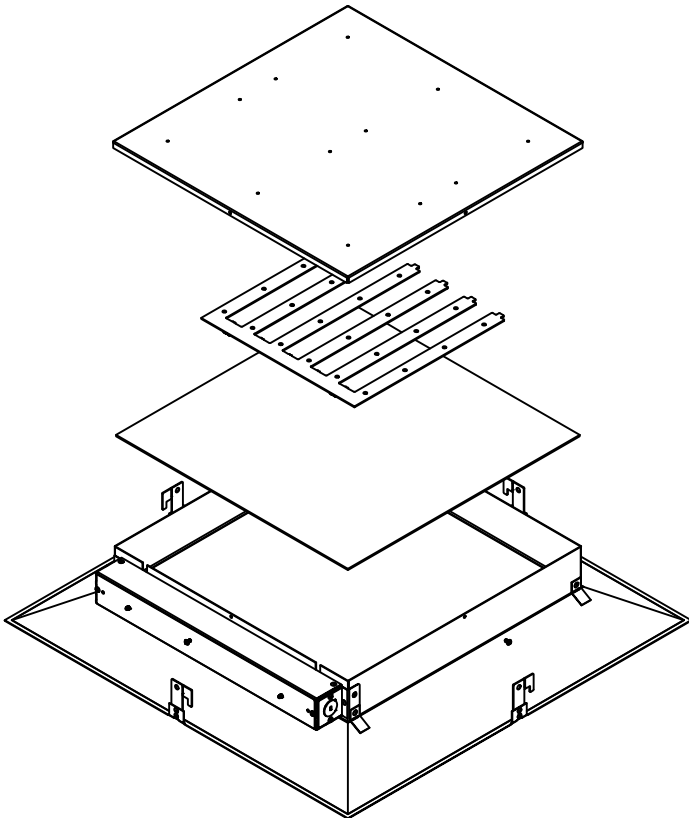
ASSEMBLY INSTRUCTIONS

5



RIVET DRIVER HOUSING (G) TO TUNNEL (D) USING $\frac{1}{8}$ " RIVETS.

6



INSERT LENS (C) INTO TUNNEL (D). ATTACH LED BOARD (B) TO LID (A) USING 6-32 SCREWS. ATTACH LID (A) TO TUNNEL (D) USING 6-32 SCREWS.