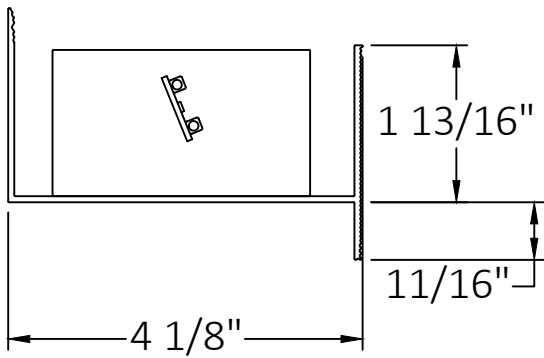


## INSTALLATION GUIDE-COVE STRAIGHT SECTION

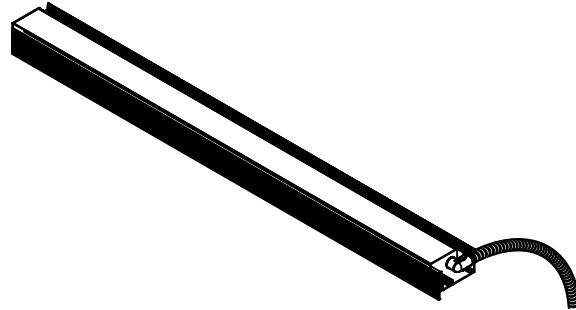


Risk of fire and electrical shock. In accordance with national local building and electrical codes, CORONET lighting fixtures must be installed by a qualified electrician. Disconnect power at electrical panel before servicing.

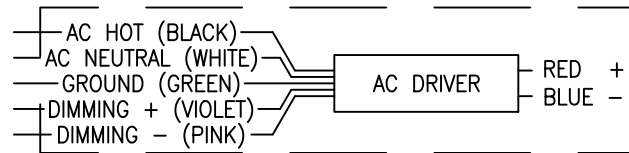
CROSS SECTION VIEW



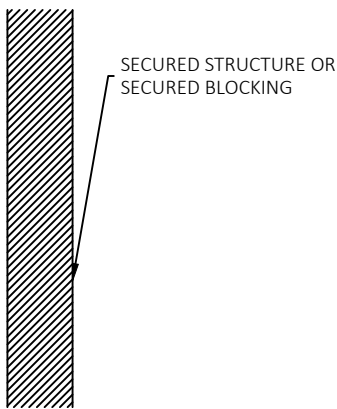
ISOMETRIC VIEW



WIRING DIAGRAM

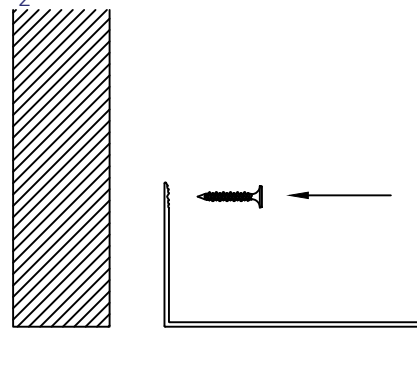


1



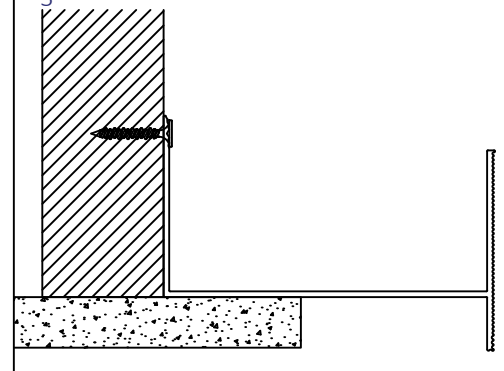
Installation of this fixture must be done before the sheetrock is installed.

2



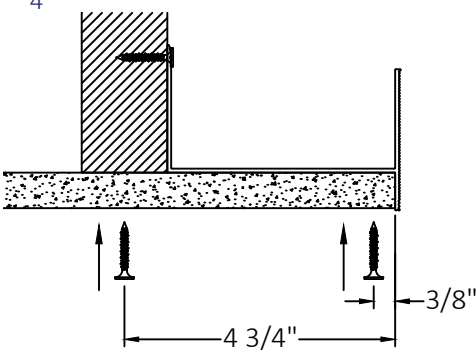
Using a drywall screw (not supplied), mount the housing to the secured structure or blocking at the top of the fixture.

3



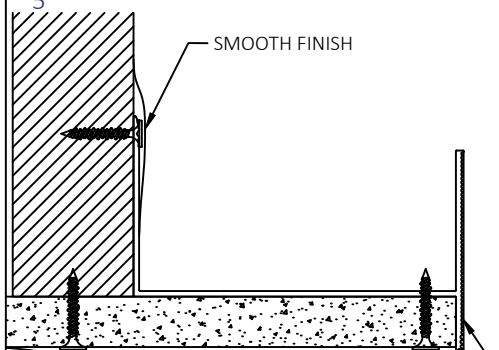
Install drywall under housing ensuring the drywall makes contact with the back of the spackle plate.

4



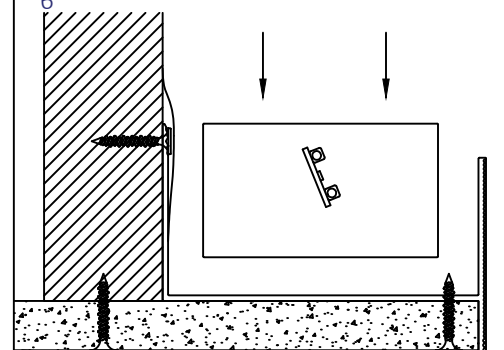
Using a #8 x 1" drywall screw (not supplied), secure the drywall to the secured structure or blocking.

5



Spackle the front, bottom, and top back side of the housing to create a smooth finish.

6



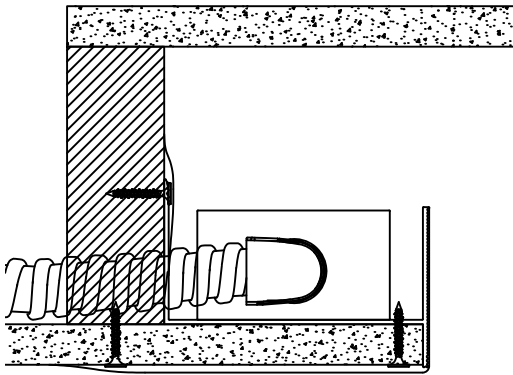
Lay in the fixture into the Lalina housing and run power supply whip to power.

## INSTALLATION GUIDE-COVE STRAIGHT SECTION



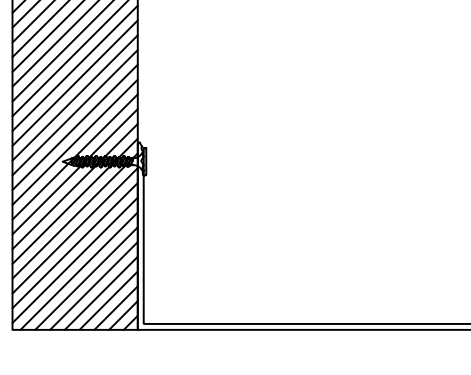
Risk of fire and electrical shock. In accordance with national local building and electrical codes, CORONET lighting fixtures must be installed by a qualified electrician. Disconnect power at electrical panel before servicing.

7



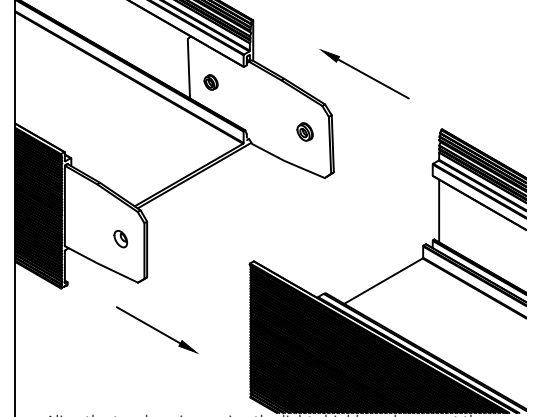
Install the rest of the surrounding sheet rock around the fixture and power on the fixture to make sure everything works properly.

8 Continuous Runs



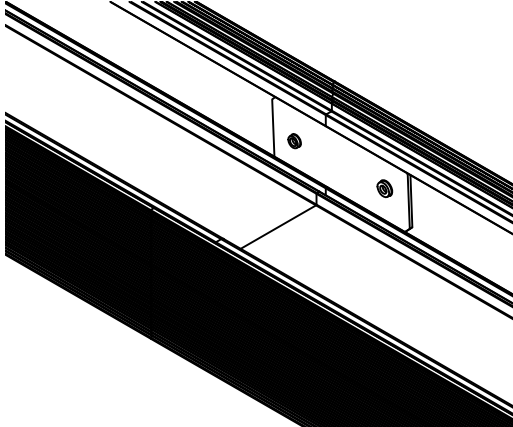
Follow steps 1 and 2 to install the first housing.

9



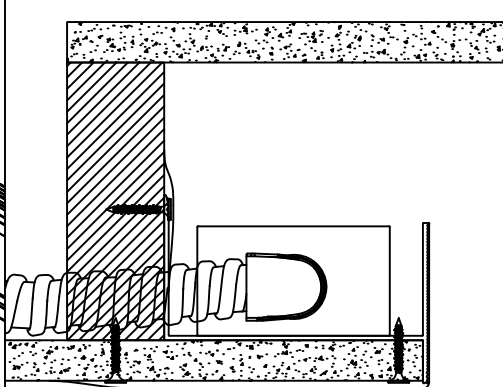
Align the two housings using the light shields and connect them together. Repeat this for all other housings in the run.

10



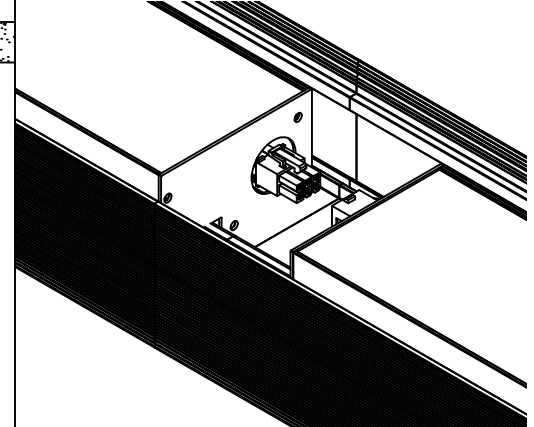
Follow steps 1-5 to complete the installation for all housings in the run.

11



Lay in the fixtures into each individual housing in the run and run power supply whips to power.

12



Connect the wiring harnesses and power on the fixtures to make sure everything works properly.

### GENERAL INSTALLATION CONSIDERATIONS

Operating Temperature.....-40°C to 50°C  
 Operating Voltage.....110VAC-277VAC, 50Hz-60Hz  
 Weight.....N/A  
 Dimensions.....See spec sheet

- Installation by a certified electrician only.
- Read and understand the installation instructions before attempting to install or use the fixture.
- Only use fixtures with voltage for which it is rated. Do not exceed the specified voltage and current input.
- Do not use the fixture if the housing, lens, or power cable is damaged.
- Ensure that the main power supply is off before installing or wiring the fixture.
- Method of wire connection to be determined by local electrical codes and regulations.
- The external flexible cable of this luminaire cannot be field replaced; if the cord is damaged, contact Coronet.
- The light source contained in this luminaire shall only be replaced by the lighting manufacturer or his service agent or a similar qualified person.