

# Recessed Orb

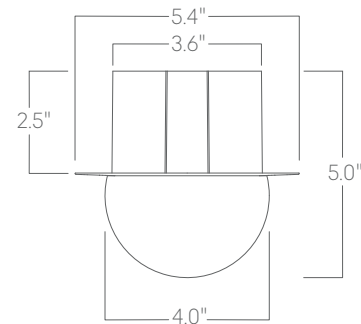


Spherical luminaire with a 4" diameter, that can be recessed into the ceiling.

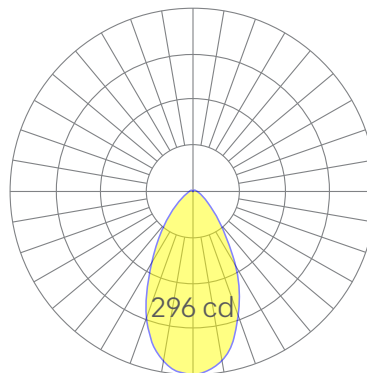
## Features

- Cast aluminum housing
- Aluminum core LED boards, specifiable optics
- Specifiable color temperature. CRI > 90, R9 >50
- 5 Year, 50,000 hour warranty, damp location rated

## Dimensions



## Optics



Representative distribution and peak candela. For other options see order information or IES files [here](#).

# Recessed Orb



## Ordering Information

For each option group below specify one option. If you don't see your preferred option listed, contact us for [help](#).

| 1 | Fixture ID   | 2         | Color Temperature  | 3          | Output        | 4             | Voltage   |
|---|--|-----------|--|------------|---------------|---------------|---|
|   | <b>REC ORB</b>   | <b>27</b> | 2700K/90 CRI   | <b>MED</b> | Medium output | <b>UNV</b>    | Universal (120/277V)                                    |
|   |  | <b>30</b> | 3000K/90 CRI   |            |               |               |   |
|   |  | <b>35</b> | 3500K/90 CRI   |            |               |               |   |
|   |  | <b>40</b> | 4000K/90 CRI   |            |               |               |   |
|   |  | <b>WD</b> | Warm Dim 2200K-3000K<br>Must use WD10 driver.            |            |               |               |   |
|   |  | <b>TW</b> | Tunable White 2700K-6500K<br>Must use TW10 or PSQdriver. |            |               |               |   |
| 5 | Driver   | 6         | Finish   | 7          | Mounting      | 8             | Circuit   |
|   | <b>DR6</b> 6W Driver, 0-10V  | <b>W</b>  | White  | <b>NT</b>  | Mud-In Flange | <b>NA</b>     | None  |
|   | <b>ELV</b> Reverse Phase 1% (120V only)<br>For compatible dimmers see <a href="#">here</a> . |           |  |            |               |               |   |
|   | <b>TRI</b> Forward phase (120V only)<br>For compatible dimmers see <a href="#">here</a> .    |           |  |            |               |               |   |
|   | <b>TW10</b> 2 ch, 0-10V for tunable white.<br>Provided in a remote enclosure.                |           |  |            |               |               |   |
|   | <b>WD10</b> 0-10V Warm Dim<br>Provided in a remote enclosure.                                |           |  |            |               |               |   |
|   |  |           |  |            |               | <b>EMPCCK</b> | Emergency battery pack<br>Supplied in remote enclosure  |
|   |  |           |  |            |               | <b>EMCKT</b>  | Emergency circuit<br>May require additional power feeds |

## Performance

| Output <sup>1</sup> | Watts | Lumens |
|---------------------|-------|--------|
| Medium              | 6     | 367    |

<sup>1</sup>Based on a typically configured 90 CRI, 3500K luminaire using one driver.  
For 4000K multiply by 105, for 3000K, 0.9%, for 2700K, 0.92.

## Technical Information



click [here](#) or scan QR code

Wiring diagrams, PoE and sensor details

Modification date: October, 2023

Page 2 of 3

# Recessed Orb

## Drivers & Electrical

Integral driver with 1% 0-10v dimming is standard. Several other driver options available; see ordering options.

## Emergency Back-Up

A 4W remote emergency driver may be wired. Emergency circuits for use with building generators are also available.

## Finishes

All luminaires are finished in high quality polyester powder coating.

## Mounting Options

## Optics

Glass optic that provides excellent diffusion and no LED imaging.

## Construction

Housings are premium, cast aluminum.

