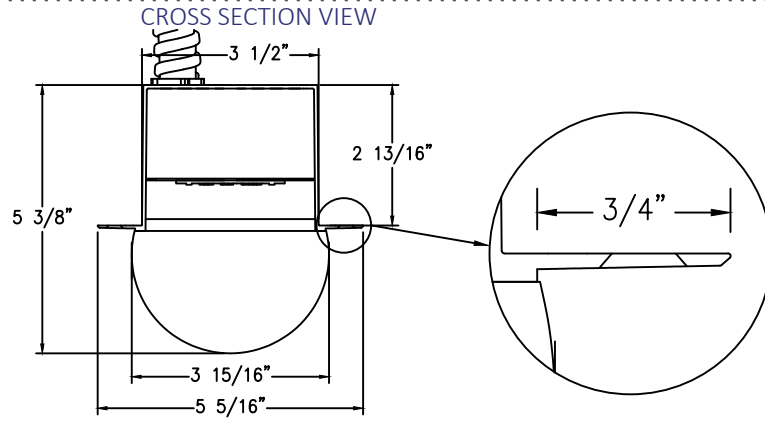


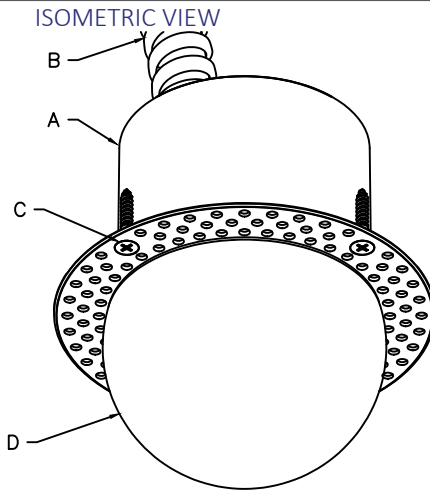


Risk of fire and electrical shock. In accordance with national local building and electrical codes, CORONET lighting fixtures must be installed by a qualified electrician. Disconnect power at electrical panel before servicing.

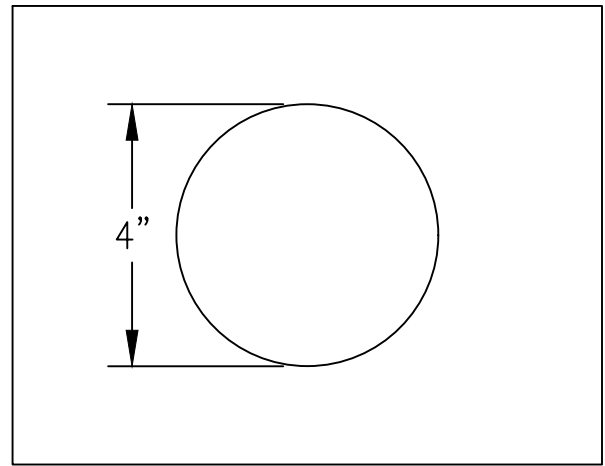


PART LIST

- A - Housing
- B - Power Whip
- C - #8 Flathead Screws (Not provided)
- D - Optic

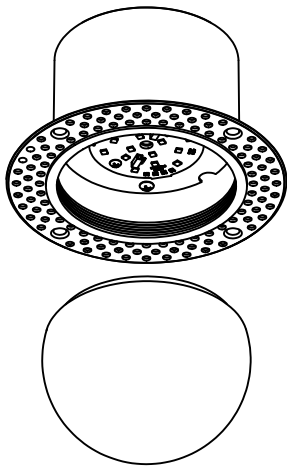


1



Cut hole into ceiling using 4" Hole Saw.

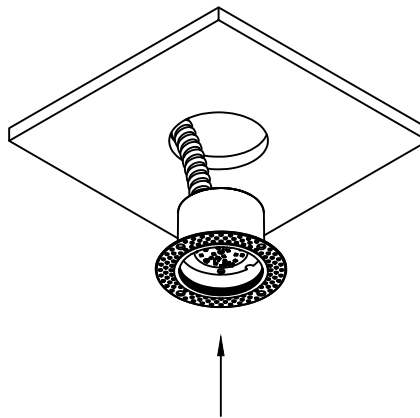
2



Remove the Optic (D) by turning it counter clockwise before installing into the ceiling.

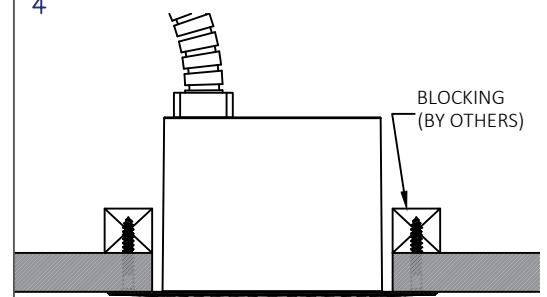
*Important: Use provided gloves when handling optic.

3



Insert provided whip through ceiling cut out and run to power. Insert housing (A) into ceiling cutout.

4



Install the fixture by screwing through the flange into the ceiling and into sufficient blocking behind ceiling using #8 Flathead Screws (C) (Not Provided).

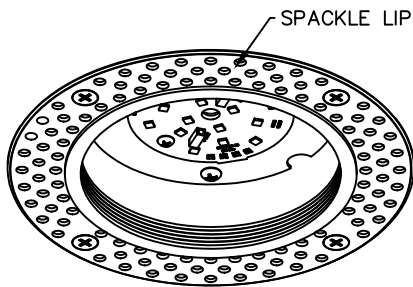
ADDITIONAL SUPPORTS TO THE STRUCTURE MAY BE REQUIRED.

*CHECK WITH YOUR LOCAL BUILDING CODE FOR THOSE REQUIREMENTS.

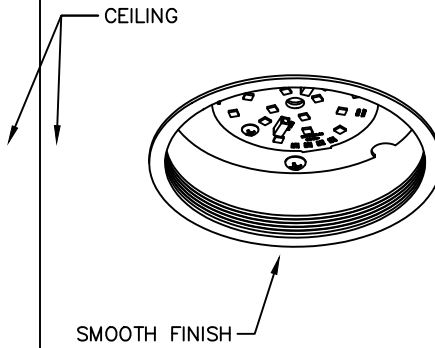


Risk of fire and electrical shock. In accordance with national local building and electrical codes, CORONET lighting fixtures must be installed by a qualified electrician. Disconnect power at electrical panel before servicing.

5

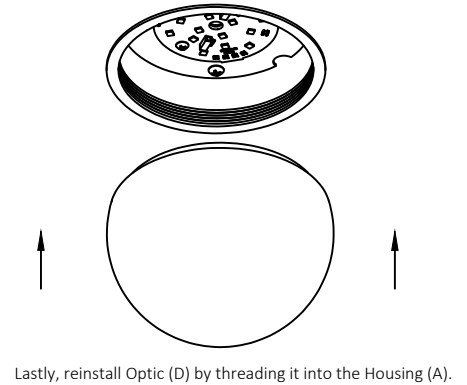


6



After Housing (A) is mounted, spackle the flange up to the lip, covering the flange and screws. Sand to create a smooth finish.
Note: Clean up any sand or plaster inside the fixture.

7



GENERAL INSTALLATION CONSIDERATIONS - See submittal drawings for job specific data.

Operating Temperature.....-40°C to 50°C
 Operating Voltage.....110VAC-277VAC, 50Hz-60Hz
 Weight.....TBD
 Dimensions.....See submittal drawings

- Installation by a certified electrician only.
- Read and understand the installation instructions before attempting to install or use the fixture.
- Only use fixtures with voltage for which it is rated. Do not exceed the specified voltage and current input.
- Do not use the fixture if the housing, lens, or power cable is damaged.
- Ensure that the main power supply is off before installing or wiring the fixture.
- Method of wire connection to be determined by local electrical codes and regulations.
- The external flexible cable of this luminaire cannot be field replaced; if the cord is damaged, contact Coronet.
- The light source contained in this luminaire shall only be replaced by the lighting manufacturer or his service agent or a similar qualified person.

Please contact our technical support team for assistance.