

NuWave 180°

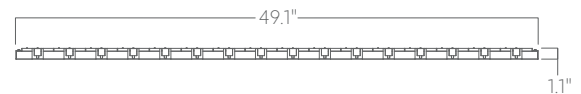


Our Performance Decorative luminaires offer a variety of decorative forms and sizes suitable for any modern space.

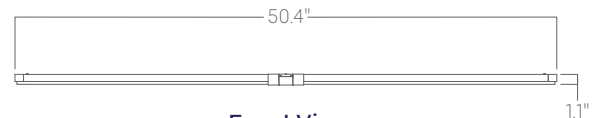
Features

- Extruded recycled aluminum housing
- Specifiable color temperature. CRI > 90, R9 >50
- Specifiable remote dimmable drivers or PoE
- Custom colors and wood finishes finishes available
- 5 Year, 50,000 hour warranty, damp location rated
- WELL Building Standard compatible [learn more](#)

Dimensions

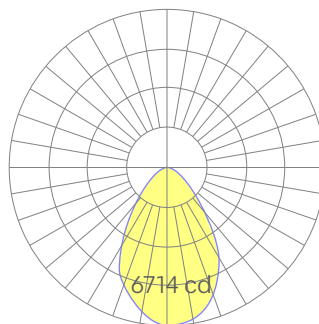


Side View



Front View

Optics



Medium

Representative distribution and peak candela. For other options see order information or IES files [here](#).

NuWave 180°

Ordering Information

For each option group below specify one option. If you don't see your preferred option listed, contact us for [help](#).

1	Fixture ID	2	Configuration	3	Color Temperature	4	Output
	NUWAVE	180°	Modules angled at 180°	27 30 35 40	2700K/90 CRI 3000K/90 CRI 3500K/90 CRI 4000K/90 CRI	MED	Medium output
5	Voltage	6	Driver	7	Finish	8	Mounting
	UNV Universal (120/277V)	DB DB.1% DALI PoE DMX	Standard 0-10V 1% 0-10V 0.1% DALI-2 Driver Power over Ethernet DMX512 All DMX drivers set to default address 001 and provided in remote enclosures. Contact us for other addressing needs.	W BLK SLV CC	White Black Silver Custom Color See finish options here .	PS-X	Pendant stem (12", 18", 24", 36", 48") White canopies and power cord unless option specified in section 12.
			All drivers provided in remote enclosures				
9	Optics	10	Sensors/Controls	11	Circuit	12	Options
	SD Standard Diffuser	NA ACM CCS AWNR OTHER	None Acuity nLight Module Only Casambi Module Lutron Athena Wireless Node Module Consult Factory	NA EMCKT DAYCKT	None Emergency circuit May require additional power feeds. Daylight circuit May require additional power feeds.	NA	None

Performance

Output ¹	Watts	Lumens
Medium	102	17473

¹Based on 90 CRI and 3500K luminaire.
Note: Output values were calculated in Photopia and Coronet is not responsible for real output disparities.
For 4000K multiply by 1.05; for 3000K, 0.9%; for 2700K, 0.92.

Technical Information



click [here](#) or scan QR code

Wiring diagrams, PoE and sensor details

NuWave 180°

Drivers & Electrical

Remote, dimmable drivers are supplied in enclosures.
For remote driver box sizes, click [here](#).

Emergency Back-Up

Emergency, battery-powered drivers are available.
Emergency circuits for use with building generators are also available.

PoE (Power over Ethernet)

Compatible with PoE systems Moxel Coresync and Igor.
See [here](#) for more info.

Weight

40 lbs

Mounting

Optics

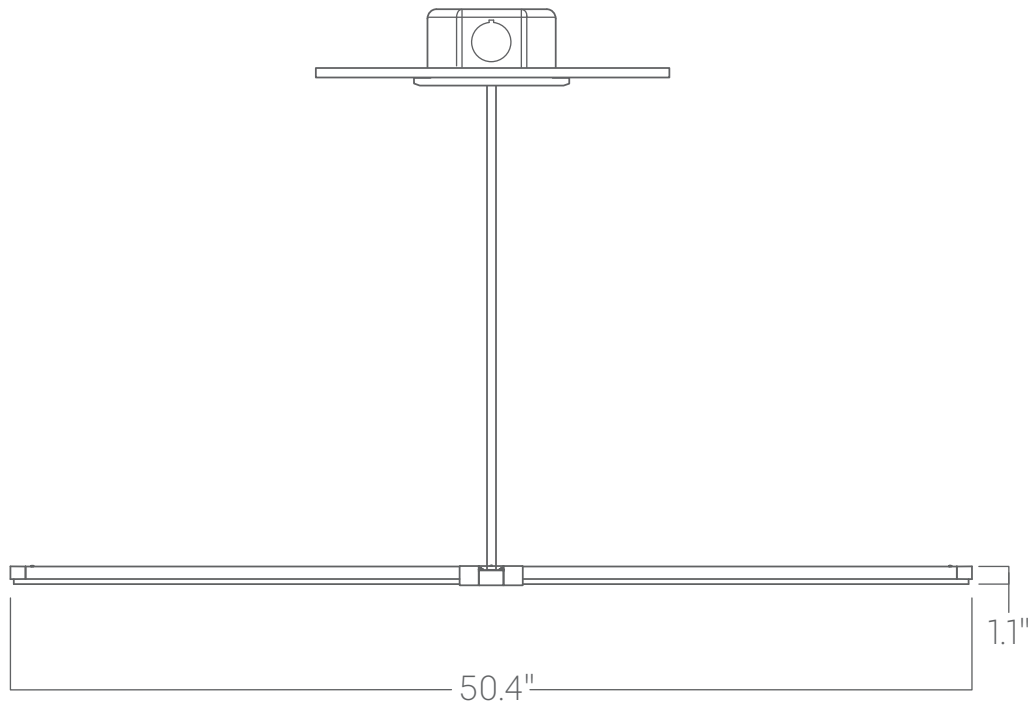
Extruded satin acrylic TIR optic provides excellent diffusion,
high transmission, and no LED imaging.

Construction

Extruded, recycled aluminum housing.

Finishes

All luminaires are finished in high quality polyester powder
coating.
Our standard color is black. Any RAL color may be specified.



Pendant stem