



Our Performance Decorative luminaires offer a variety of decorative forms and sizes suitable for any modern space.

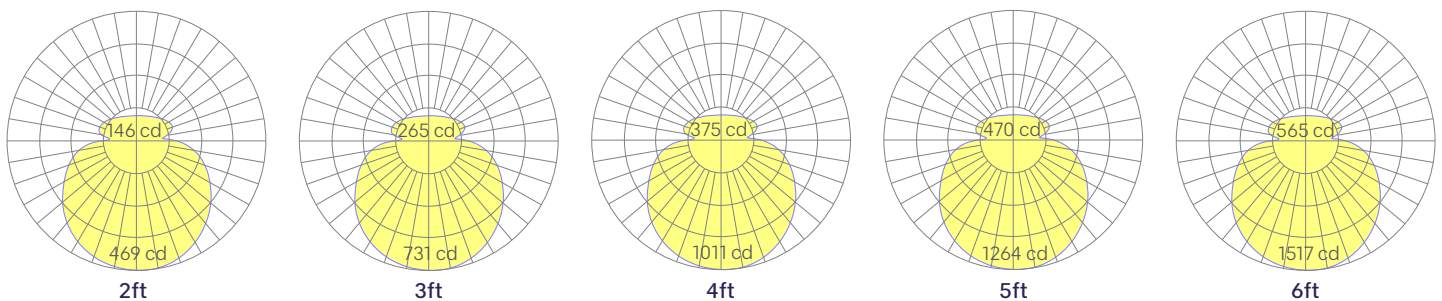
## Features

- Rolled polyethylene with 0.035" exposed metal backplate
- Available in multiple sizes
- 25% indirect, 75% direct distribution
- Specifiable color temperature. CRI > 90, R9 >50
- Specifiable dimmable drivers or PoE
- 5 Year, 50,000 hour warranty, damp location rated
- WELL Building Standard compatible [learn more](#)

## Dimensions



## Optics



Representative distribution and peak candela. For other options see order information or IES files [here](#).

## Ordering Information

For each option group below specify one option. If you don't see your preferred option listed, contact us for [help](#).

1	Fixture ID	2	Length	3	Color Temperature	4	Output
	DONA	2	2 ft nominal	30	3000K/90 CRI	MED	Medium output
		3	3 ft nominal	35	3500K/90 CRI	CUST	Custom output Specify watts or lumens
		4	4 ft nominal				
		5	5 ft nominal				
		6	6 ft nominal				
5	Voltage	6	Driver	7	Finish	8	Mounting
	UNV Universal (120/277V)	DB	Standard 0-10V 1%	W	White	ACP-CENT	Power over aircraft cable Single canopy at the center White canopy provided unless otherwise specified in section 12.
		DB.1%	0-10V 0.1%			ACP-MULTI	Power over aircraft cable Individual suspension points White canopies provided unless otherwise specified in section 12.
		ELV	Reverse Phase 1% (120V only) For compatible dimmers, click <a href="#">here</a> .				
		TRI	Forward phase (120V only) For compatible dimmers, click <a href="#">here</a> .				
		LDE	Lutron Digital EcoSystem				
		DALI	DALI-2 Driver				
		PoE	Power over Ethernet.				
		DMX	DMX512 All DMX drivers set to default address 001 and provided in remote enclosures. Contact us for other addressing needs.				
			All drivers remote except DB for 4', 5', 6' fixtures.				
9	Optics	10	Sensors/Controls	11	Circuit	12	Options
	SD Standard Diffuser	NA	None	NA	None	STD	White Canopy + White Cord
		ACM	Acuity nLight Module Only	EMPCK	Emergency battery pack May require additional power feeds.	CAN-X	Canopy + color See finish options <a href="#">here</a>
		CCS	Casambi Module	EMCKT	Emergency circuit May require additional power feeds.	FC	Flat Canopy Drivers provided in remote enclosure.
		AWNR	Lutron Athena Wireless Node Module	DAYCKT	Daylight circuit May require additional power feeds.		
		OTHER	Consult Factory				
			All controls remote.				

## Performance

Output <sup>1</sup>	Watts	Lumens
Medium (2ft)	36	2605
Medium (3ft)	60	4136
Medium (4ft)	80	5936
Medium (5ft)	100	7420
Medium (6ft)	120	8904

<sup>1</sup>Based on a typically configured 90 CRI, 3500K luminaire using one driver.  
Custom outputs available. Please consult factory.  
For 4000K multiply by 1.05; for 3000K, 0.9; for 2700K, 0.92.

## Technical Information



click [here](#) or  
scan QR code

Wiring diagrams, PoE and sensor details

Modification date: November 2023

Page 2 of 4

## Emergency Back-Up

Emergency, battery-powered drivers are available. Emergency circuits for use with building generators are also available.

## Drivers & Electrical

Dimmable drivers are supplied in remote enclosures except for DB driver for up to 3FT fixture. For remote driver box sizes, click [here](#).

## PoE (Power over Ethernet)

Compatible with virtually all PoE systems including Molex Coresync, Igor, Smartengine, Platformatics, and NuLED SPICEbox. Consult Factory for systems not listed, See [here](#) for more info.

## Weight

2ft = 6.5 lbs  
3ft = 9.0 lbs  
4ft = 12.5 lbs  
5ft = 16 lbs  
6ft = 19 lbs

## Optics

Laser-cut, cast, high-transmission acrylic lens with no LED imaging.

## Construction

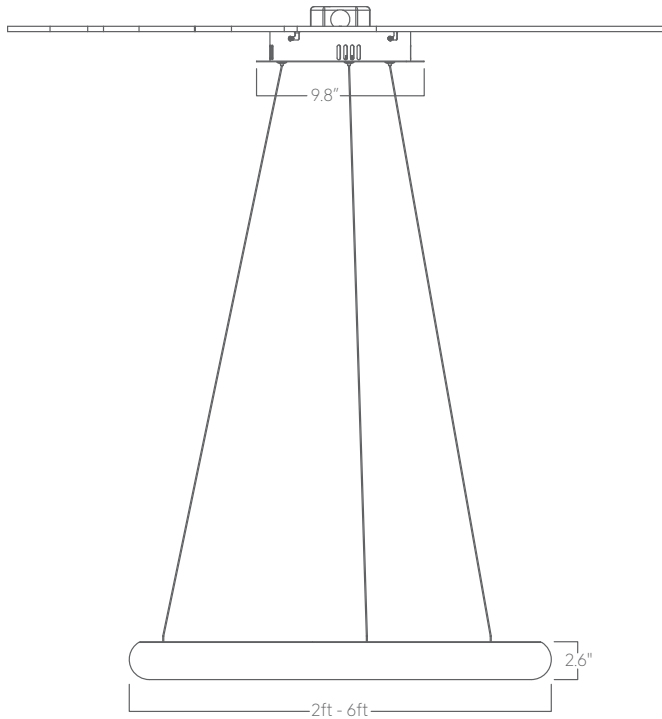
Rolled polyethylene with 0.035" wide metal backplate.

## Finishes

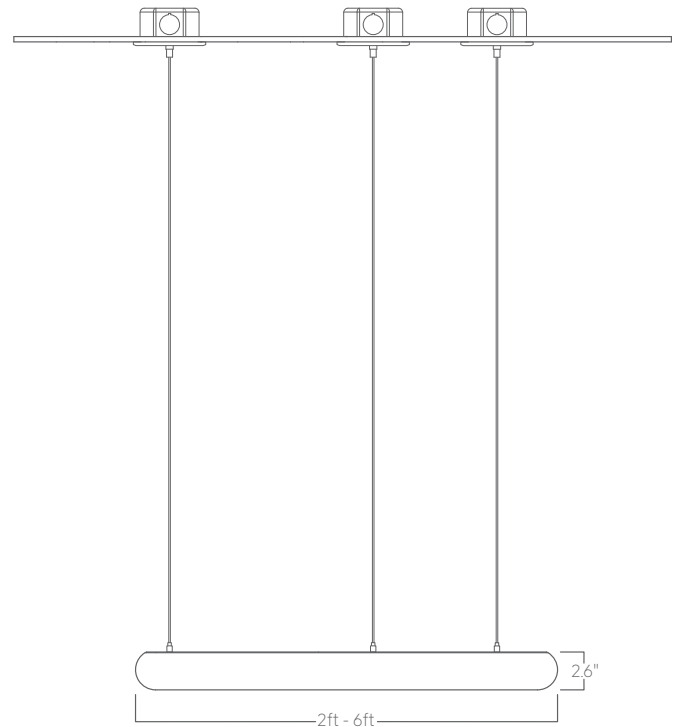
All luminaires are finished in high quality polyester powder coating. Our standard color is white. Other colors are available for the canopy only.

**Mounting Options**

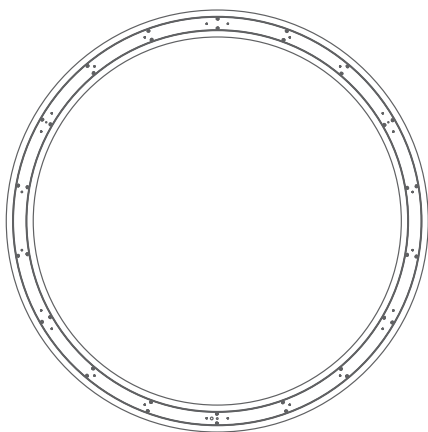
Custom mounting types and ceiling transitions available; consult factory.



**Power over aircraft cable (Side view)**



**Power over aircraft cable  
(Individual susp. points)**



**Top view**

**Please consult factory shop drawings for suspension points. To prevent damage to fixtures, factory designated suspension points must not be field altered.**