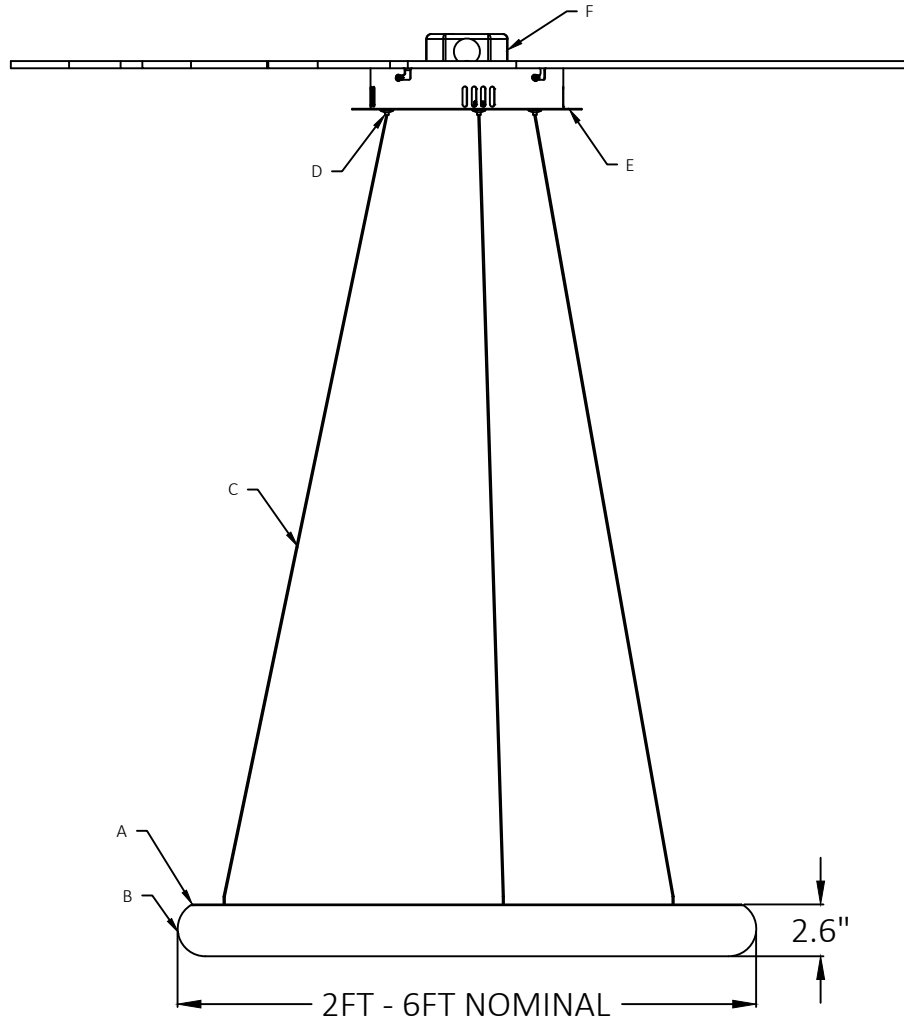


INSTALLATION GUIDE-PENDANT



Risk of fire and electrical shock. In accordance with national local building and electrical codes, CORONET lighting fixtures must be installed by a qualified electrician. Disconnect power at electrical panel before servicing.

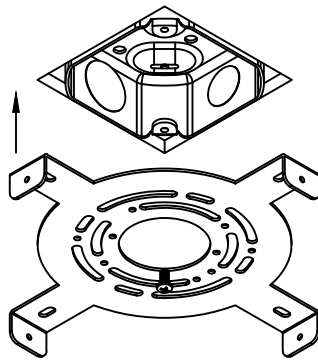
SIDE VIEW



PART LIST

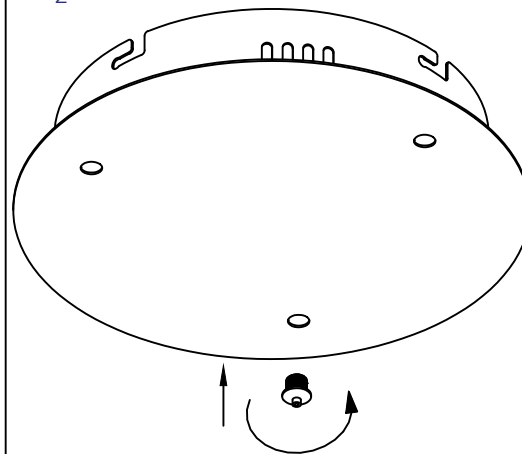
- A-LED Reflector/Mounting Bracket
- B-Lens
- C-Power over Aircraft Cable
- D-Female Cable Gripper
- E-Canopy
- F-Junction Box (by others)

1

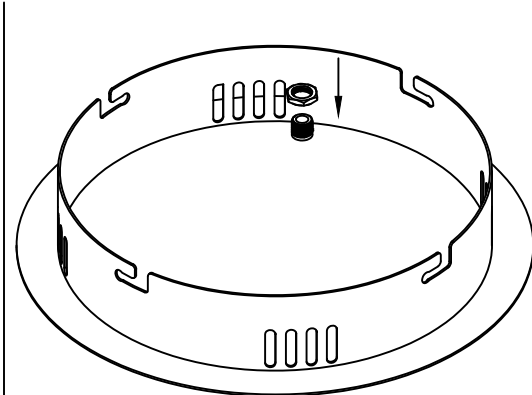


Secure the cross bar to the octagonal junction box with the junction box screws.

2



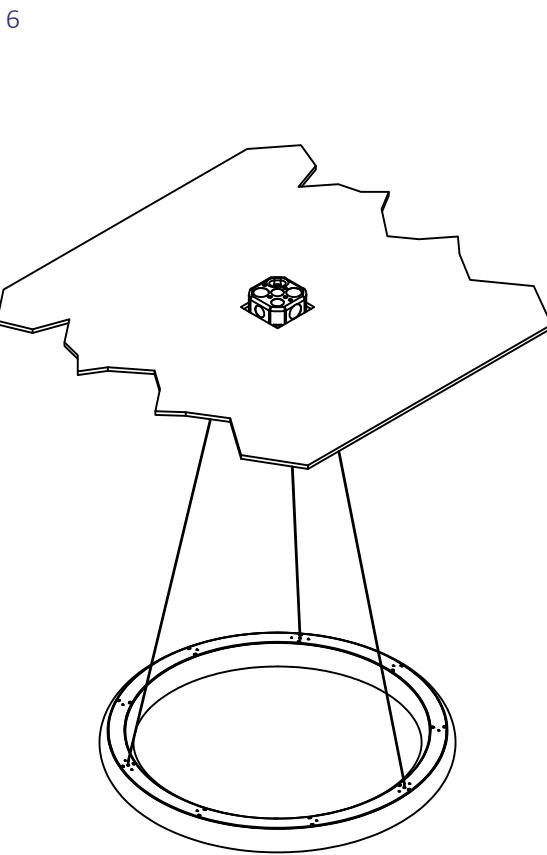
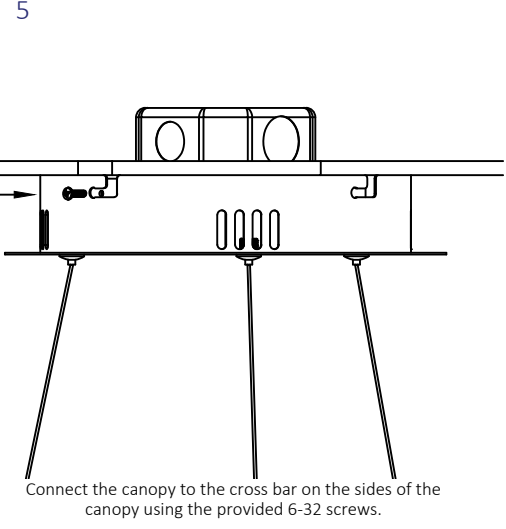
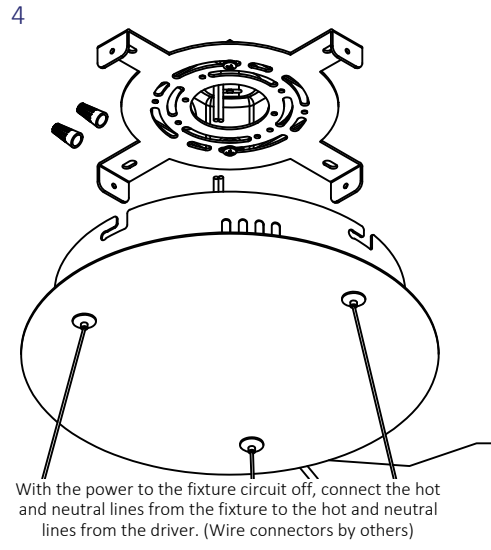
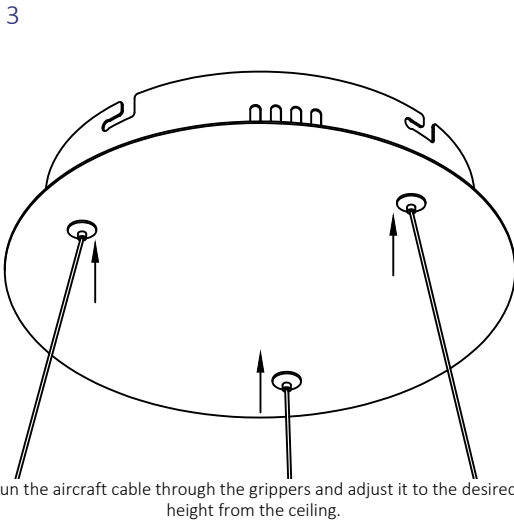
Before connecting the canopy to the cross bar, attach the female cable grippers to the canopy using the provided nut.



\*NOTE: JUNCTION BOXES MUST BE SOLIDLY FIXED TO THE CEILING AND ATTACHED TO THE STRUCTURAL MEMBER INSIDE THE CEILING BEFORE PROCEEDING WITH INSTALLATION.



Risk of fire and electrical shock. In accordance with national local building and electrical codes, CORONET lighting fixtures must be installed by a qualified electrician. Disconnect power at electrical panel before servicing.



**GENERAL INSTALLATION CONSIDERATIONS** - See submittal drawings for job specific data.

- Operating Temperature.....-40°C to 50°C
- Operating Voltage.....110VAC-277VAC, 50Hz-60Hz
- Dimensions.....See submittal drawings
- Suspended Weight
- 2FT - 6.5 lbs
- 3FT - 9.0 lbs
- 4FT - 12.5 lbs
- 5FT - 16.0 lbs
- 6FT - 19.0 lbs

- Installation by a certified electrician only.
- Read and understand the installation instructions before attempting to install or use the fixture.
- Only use fixtures with voltage for which it is rated. Do not exceed the specified voltage and current input.
- Do not use the fixture if the housing, lens, or power cable is damaged.
- Ensure that the main power supply is off before installing or wiring the fixture.
- Method of wire connection to be determined by local electrical codes and regulations.
- The external flexible cable of this luminaire cannot be field replaced; if the cord is damaged, contact Coronet.
- The light source contained in this luminaire shall only be replaced by the lighting manufacturer or his service agent or a similar qualified person.

Please contact our technical support team for assistance.

Power on the fixture to make sure everything works properly.

\*NOTE: JUNCTION BOXES MUST BE SOLIDLY FIXED TO THE CEILING AND ATTACHED TO THE STRUCTURAL MEMBER INSIDE THE CEILING BEFORE PROCEEDING WITH INSTALLATION.