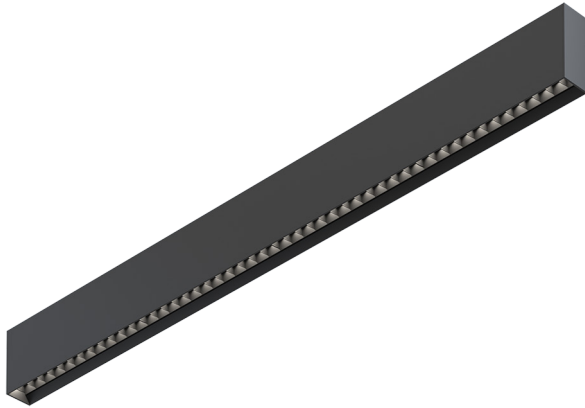


# LS1 Sharp Bevel direct

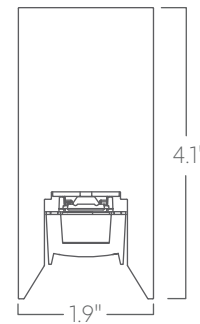


The Sharp Series of architectural luminaires features slim profiles, glare free, beam shaping optical cells and several mounting options. Custom lengths are tailored to suit any modern space.

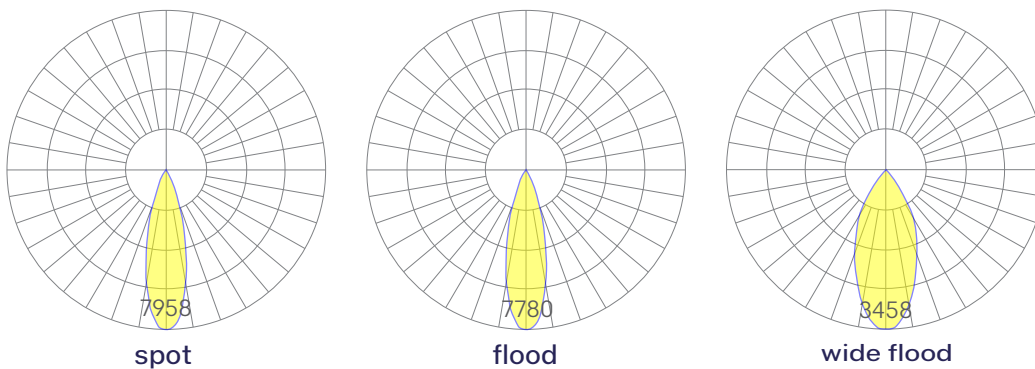
## Features

- Extruded, recycled aluminum housing
- Glare free, beam shaping optical cells
- Aluminum core LED boards, specifiable optics
- Specifiable color temperature. CRI > 90, R9 >50
- Custom finishes available
- Specifiable dimmable drivers or PoE
- 5 Year, 50,000 hour warranty, damp location rated
- WELL Building Standard compatible [learn more](#)

## Dimensions



## Optics



Representative distribution and peak candela. For other options see order information or IES files [here](#).

# LS1 Sharp Bevel direct

## Ordering Information



Example: LS1 SHARP BEVEL - 8 - 35 - MED - UNV - DB - W - BLK - AC - FL - CCS - DAYCKT - NA

<b>Fixture ID</b> 1	<b>Length</b> 2	<b>Color Temperature</b> 3	<b>Output</b> 4
<b>LS1 SHARP BEVEL</b>	<b>2</b> 2 ft <b>4</b> 4 ft <b>8</b> 8 ft <b>X'X"</b> Specify Length  <small>*Custom lengths available in 12" nominal increments. All lengths are nominal unless specified to be exact.</small>	<b>27</b> 2700K/90 CRI <b>30</b> 3000K/90 CRI <b>35</b> 3500K/90 CRI <b>40</b> 4000K/90 CRI	<b>LOW</b> Low output <b>MED</b> Medium output <b>HIGH</b> High output <b>CUST</b> Custom output <sup>1</sup>  <small><sup>1</sup>consult factory</small>
<b>Voltage</b> 5	<b>Driver</b> 6	<b>Finish</b> 7a - 7b -	<b>Mounting</b> 8
<b>UNV</b> Universal (120/277V) <b>347V<sup>1</sup></b> 347V	<b>DB</b> Standard 0-10V 1% <b>DB.1%</b> 0-10V 0.1% <b>ELV<sup>2</sup></b> Reverse Phase 1% (120V only) <b>TRI<sup>2</sup></b> Forward phase (120V only) <b>LDE1</b> Lutron Digital EcoSystem <b>DALI</b> DALI-2 Driver <b>PoE</b> Power over Ethernet. <b>DMX<sup>1</sup></b> DMX512  <small><sup>1</sup>Set to default address 001. Contact us for other addressing needs. <sup>2</sup>For compatible dimmers, click <a href="#">here</a>.</small>	<b>7a - Housing</b> <b>W</b> White <b>BLK</b> Black <b>CC<sup>1</sup></b> Custom Color  <b>7b - Louver</b> <b>W</b> White <b>BLK</b> Black  <small><sup>1</sup>Custom Color. See finish options <a href="#">here</a>. White SJ cord and canopy provided; for other requests, see section 12 to specify.</small>	<b>AC</b> Aircraft Cable (50") <b>AC3.5</b> 3.5" canopy + jbox adaptor <sup>1</sup> <b>ACPC<sup>2</sup></b> Aircraft cable to Conduit Pipe Canopy <b>PS-X</b> Pendant Stem (12", 18", 24", 36", 48")  <small><sup>1</sup>Adaptor must be mudded-in. White stems and canopy provided unless otherwise specified in options (section 12). <sup>2</sup>Not available with Power Over Aircraft Cable.</small>
<b>Optics</b> 9	<b>Sensors/Controls</b> 10	<b>Circuit</b> 11	<b>Options</b> 12
<b>SP</b> 24° beam <b>FL</b> 30° beam <b>WFL</b> 44° beam	<b>NA</b> None <b>ACM</b> Acuity nLight Module Only <b>CCS</b> Casambi Module <b>AWN<sup>R</sup></b> Lutron Athena Wireless Node Module  <small>All control systems are remote. Consult factory for other options.</small>	<b>NA</b> None <b>EMPCK</b> Emergency Battery Pack <b>EMCKT</b> Emergency Circuit <b>DAYCKT</b> Daylight Circuit	<b>STD</b> White Canopy + White Cord <b>CAN-X<sup>1</sup></b> Canopy + color <b>SJ-X<sup>2</sup></b> SJ Cord + color  <small><sup>1</sup>See finish options <a href="#">here</a>. <sup>2</sup>SJ Cord only available in White or Black.</small>

## Performance

Output <sup>1</sup>	Watts/ft	Lumens/ft
Low	5	419
Medium	7	609
High	10	799

<sup>1</sup>Based on a typically configured 90 CRI, 3500K luminaire using one driver.

Custom outputs available. Please consult factory.  
For 4000K multiply by 1.05; for 3000K 0.96; for 2700K, 0.92

## Technical Information



click [here](#) or scan QR code

Wiring diagrams, PoE and sensor details

Modification date: June, 2023

Page 2 of 4

# LS1 Sharp Bevel direct

## Drivers & Electrical

Integral, dimmable drivers are supplied in enclosures.

## Emergency Back-Up

For fixtures three-feet or longer, a 4W integral emergency driver may be wired to 4ft sections. 7W, 10W, and 12W drivers are also available (not all integral; consult factory). Emergency circuits for use with building generators are also available.

## PoE (Power over Ethernet)

Compatible with virtually all PoE systems including Molex Coresync, Igor, Smartengine, Platformatics, and NuLED SPICEbox. Consult Factory for systems not listed, See [here](#) for more info.

## Finishes

All luminaires are finished in high quality polyester powder coating. Our standard color is white. Any RAL color may be specified.

## Weight

3 lbs per foot

## Optics

Glare free, beam shaping optical cells.

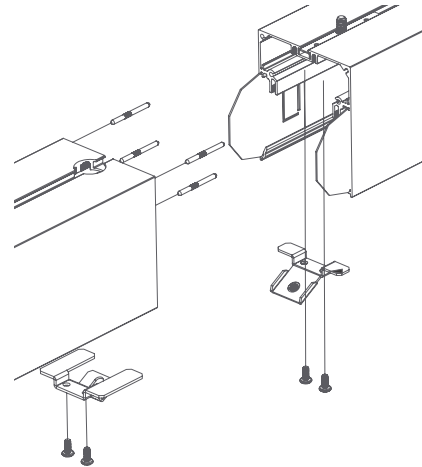
## Construction

Extruded, recycled aluminum housing with formed steel ends.

## Joined runs

Runs of any length\* may be specified and are comprised of multiple, factory-engineered, joined sections. Individually specified luminaires are not field joinable.

\*Custom lengths available in 12" nominal increments

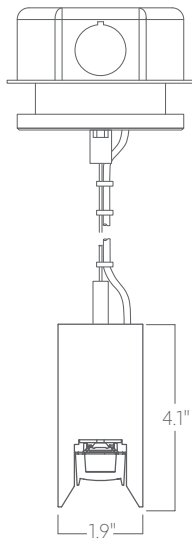


Representative joinery. For product specific details see installation guides or submittal drawings.

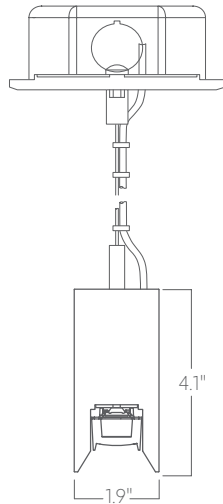
# LS1 Sharp Bevel direct

## Mounting Options

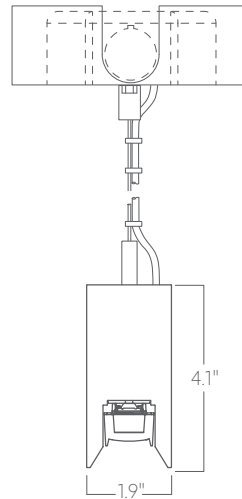
Custom mounting types and ceiling transitions available; consult factory.



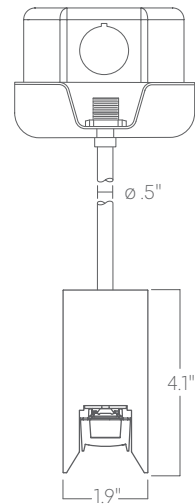
**Aircraft cable  
3.5" canopy**



**Aircraft cable  
5" canopy**



**Aircraft cable  
Conduit canopy  
with knockouts**



**Pendant stem**