

INSTALLATION GUIDE-WALL MOUNT

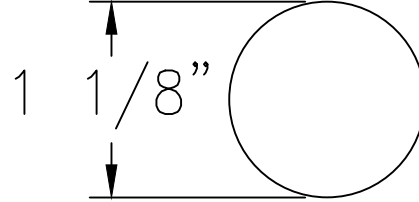


Risk of fire and electrical shock. In accordance with national local building and electrical codes, CORONET lighting fixtures must be installed by a qualified electrician. Disconnect power at electrical panel before servicing.

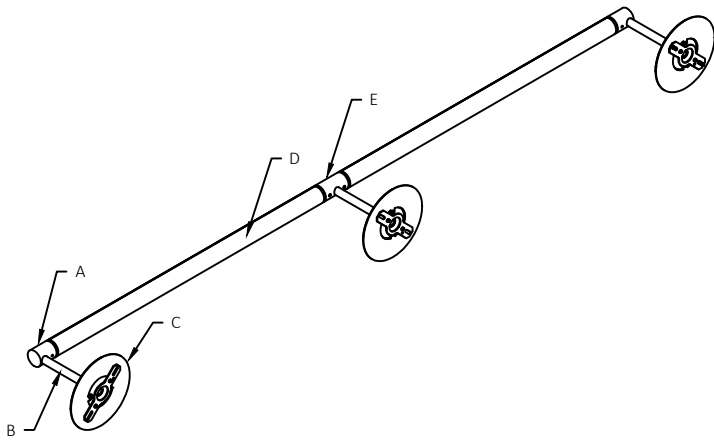
PART LIST

- A-End Cap
- B-Wall Mount Stem
- C-Wall Mount Bracket Assembly
- D-Extrusion or Lens
- E-Continuous Run Connector

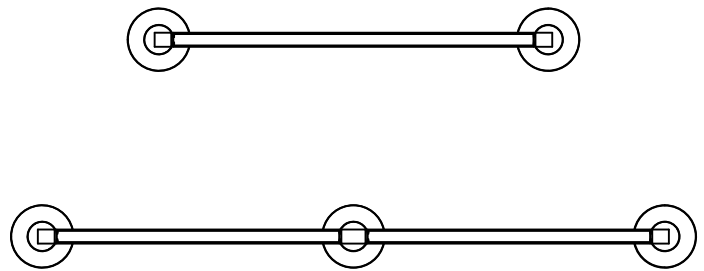
CROSS SECTION VIEW



ISOMETRIC VIEW

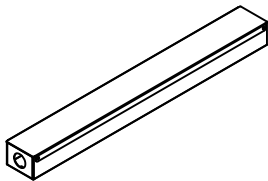


SIDE VIEW



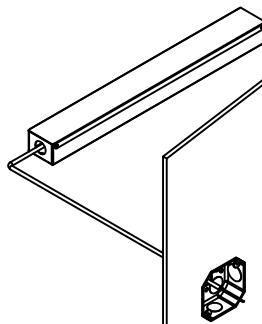
PLEASE CONSULT FACTORY SHOP DRAWINGS FOR MOUNTING POINTS.

1



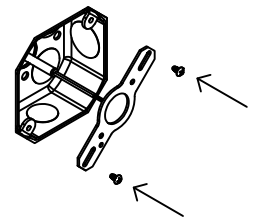
Locate remote driver enclosure in nearby accessible location.

2



Run low voltage (by EC), per local code, from remote driver enclosure to junction box (by others).

3



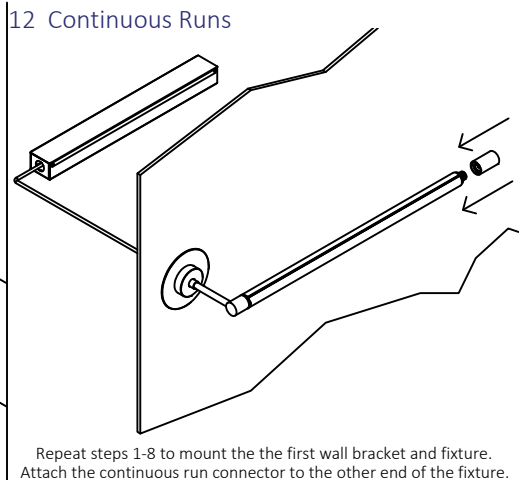
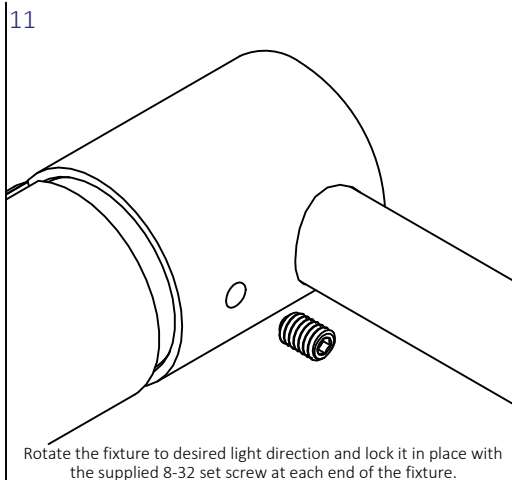
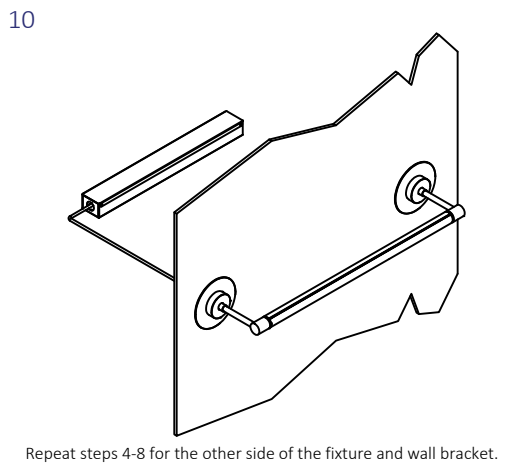
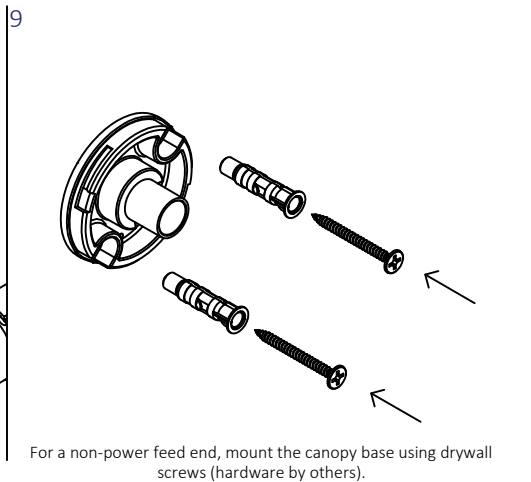
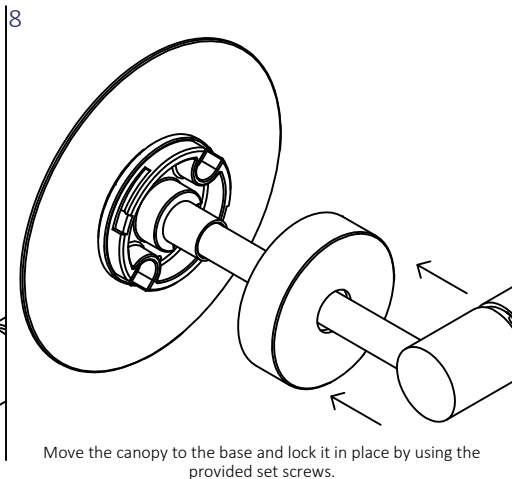
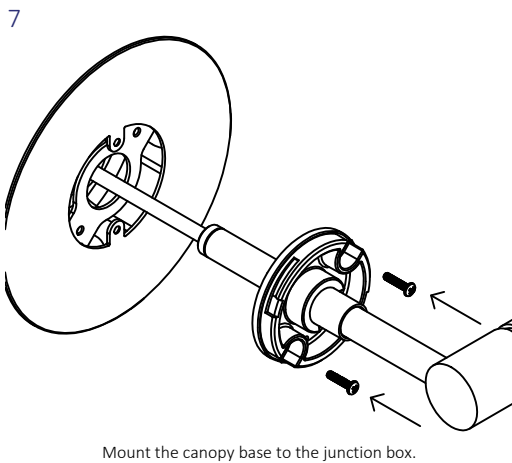
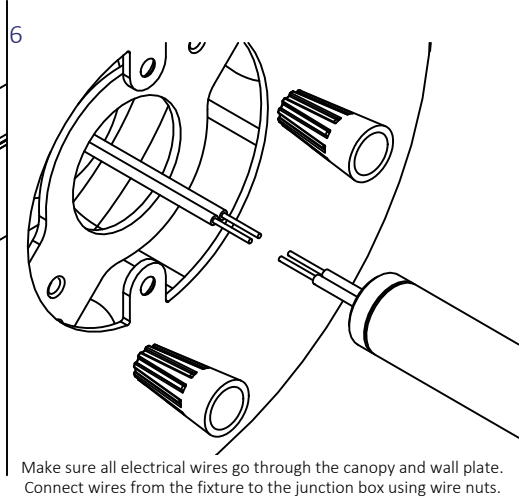
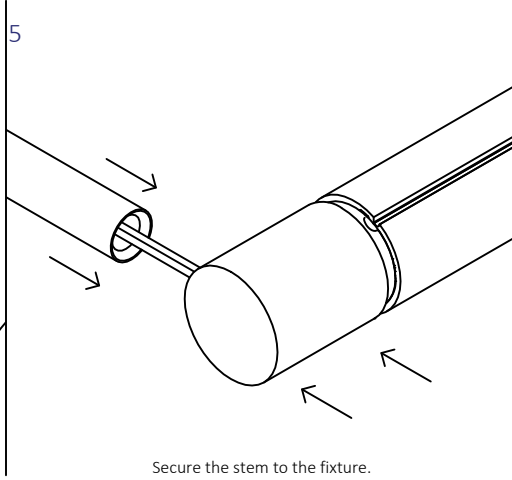
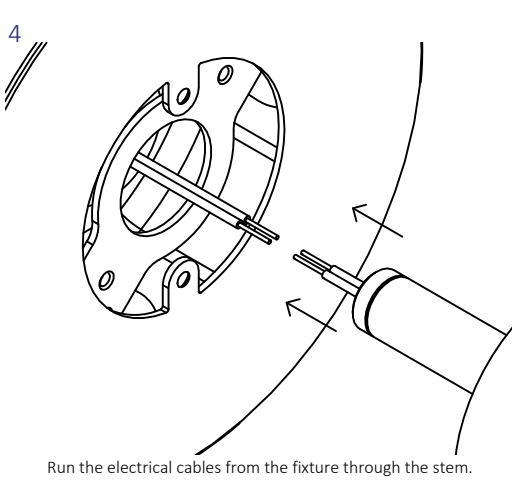
Connect the cross bar to the junction box using screws (hardware by others).

NOTE: ADDITIONAL SUPPORTS TO THE STRUCTURE MAY BE REQUIRED.  
\*CHECK WITH YOUR LOCAL BUILDING CODE FOR THOSE REQUIREMENTS

INSTALLATION GUIDE-WALL MOUNT



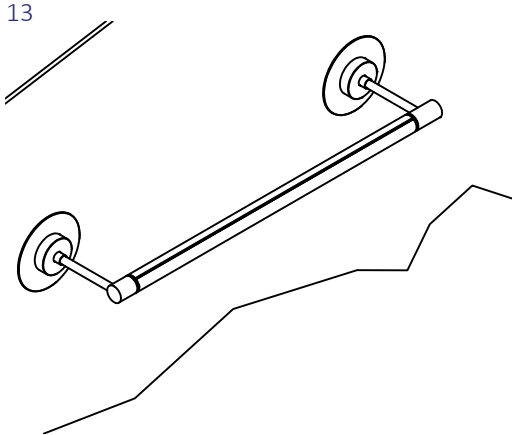
Risk of fire and electrical shock. In accordance with national local building and electrical codes, CORONET lighting fixtures must be installed by a qualified electrician. Disconnect power at electrical panel before servicing.



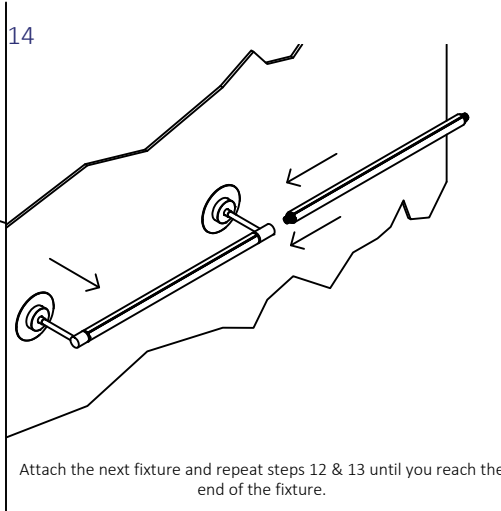
NOTE: ADDITIONAL SUPPORTS TO THE STRUCTURE MAY BE REQUIRED.  
\*CHECK WITH YOUR LOCAL BUILDING CODE FOR THOSE REQUIREMENTS



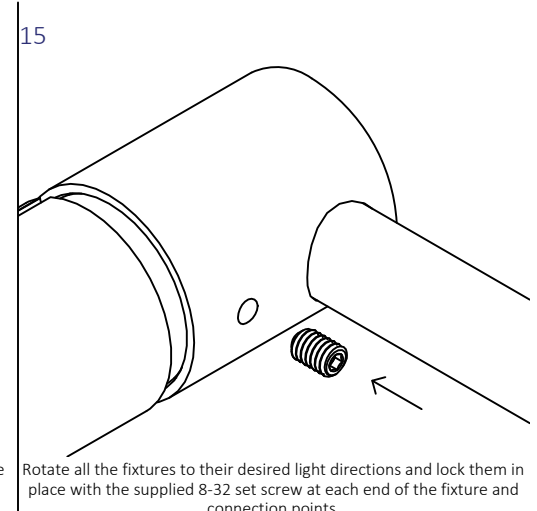
Risk of fire and electrical shock. In accordance with national local building and electrical codes, CORONET lighting fixtures must be installed by a qualified electrician. Disconnect power at electrical panel before servicing.



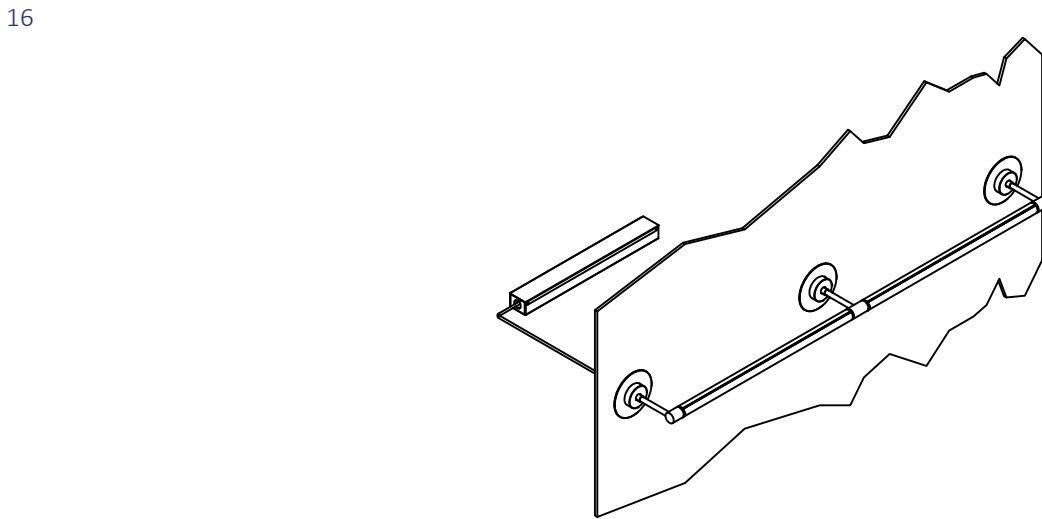
13 Refer to the shop drawings to determine if this a power or non-power wall bracket. Follow the appropriate steps to mount the wall bracket.



14 Attach the next fixture and repeat steps 12 & 13 until you reach the end of the fixture.



15 Rotate all the fixtures to their desired light directions and lock them in place with the supplied 8-32 set screw at each end of the fixture and connection points.



16

Power on the fixture to make sure it works properly.

**GENERAL INSTALLATION CONSIDERATIONS** - See submittal drawings for job specific data.

Operating Temperature.....	-40°C to 50°C
Operating Voltage.....	110VAC-277VAC, 50Hz-60Hz
Weight.....	3 lb/ft
Dimensions.....	See submittal drawings

- Installation by a certified electrician only.
- Read and understand the installation instructions before attempting to install or use the fixture.
- Only use fixtures with voltage for which it is rated. Do not exceed the specified voltage and current input.
- Do not use the fixture if the housing, lens, or power cable is damaged.
- Ensure that the main power supply is off before installing or wiring the fixture.
- Method of wire connection to be determined by local electrical codes and regulations.
- The external flexible cable of this luminaire cannot be replaced; if the cord is damaged, contact Coronet.
- The light source contained in this luminaire shall only be replaced by the lighting manufacturer or his service agent or a similar qualified person.

Please contact our technical support team for assistance.

NOTE: ADDITIONAL SUPPORTS TO THE STRUCTURE MAY BE REQUIRED.  
\*CHECK WITH YOUR LOCAL BUILDING CODE FOR THOSE REQUIREMENTS