

INSTALLATION GUIDE-PENDANT

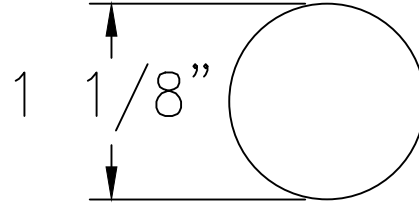


Risk of fire and electrical shock. In accordance with national local building and electrical codes, CORONET lighting fixtures must be installed by a qualified electrician. Disconnect power at electrical panel before servicing.

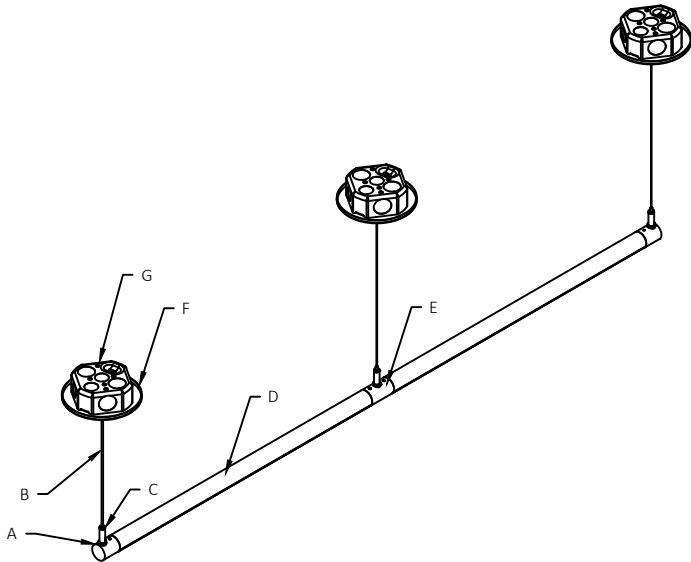
PART LIST

- A-End Plate
- B-ACP Cable
- C-Male Gripper
- D-Extrusion
- E-Continuous Run Connector
- F-Canopy
- G-Junction Box (by others)

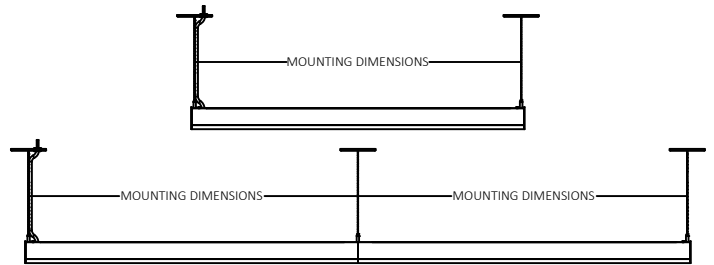
CROSS SECTION VIEW



ISOMETRIC VIEW

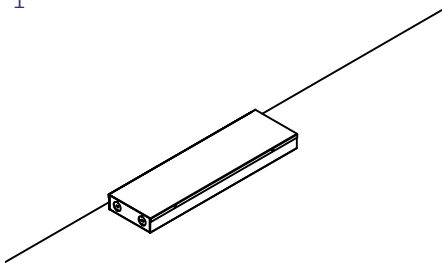


SIDE VIEW



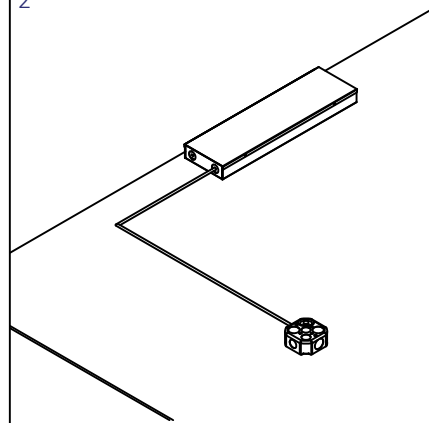
PLEASE CONSULT FACTORY SHOP DRAWINGS FOR SUSPENSION POINTS

1



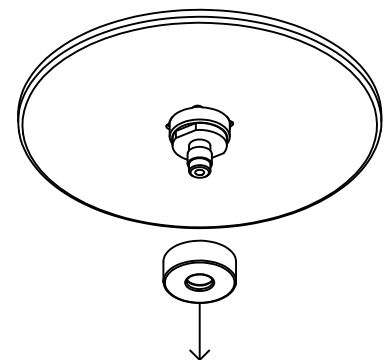
Locate remote driver enclosure in nearby accessible location

2



Run low voltage (by EC), per local code, from remote driver enclosure to junction box

3



Remove canopy collar

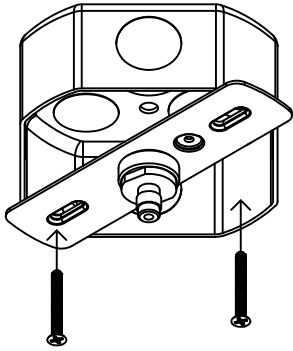
NOTE: JUNCTION BOXES MUST BE SOLIDLY FIXED TO THE CEILING AND ATTACHED TO THE STRUCTURAL MEMBER INSIDE THE CEILING BEFORE PROCEEDING WITH INSTALLATION.

INSTALLATION GUIDE-PENDANT



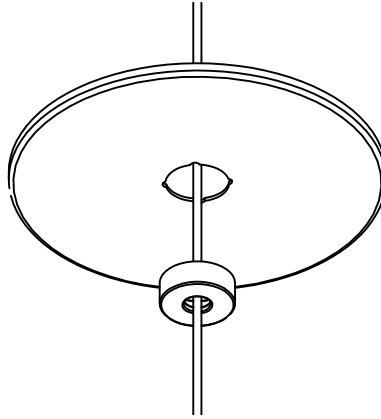
Risk of fire and electrical shock. In accordance with national local building and electrical codes, CORONET lighting fixtures must be installed by a qualified electrician. Disconnect power at electrical panel before servicing.

4



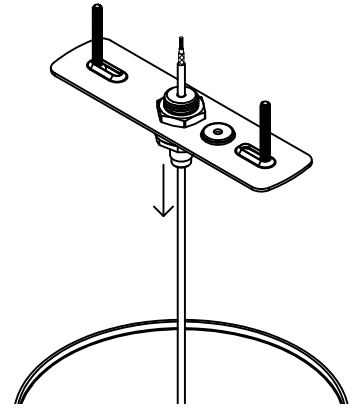
Attach supplied cross bar to securely mounted junction box (by others)

5



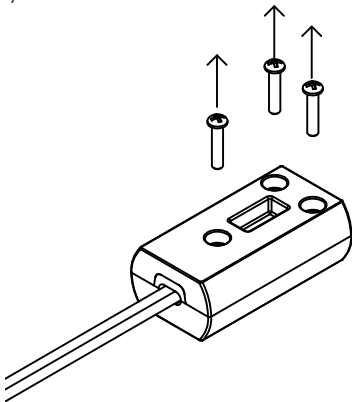
Insert feed through canopy coupler and canopy

6



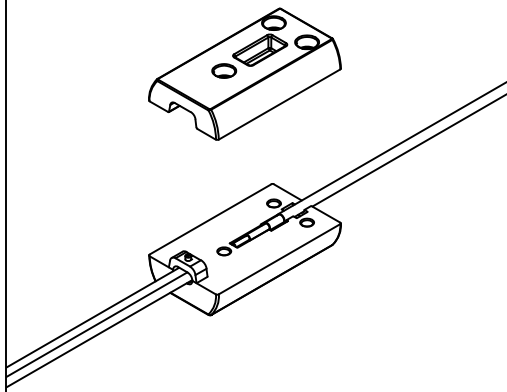
Loosen gripper safety nut and insert the feed through the cross bar gripper into the junction box

7



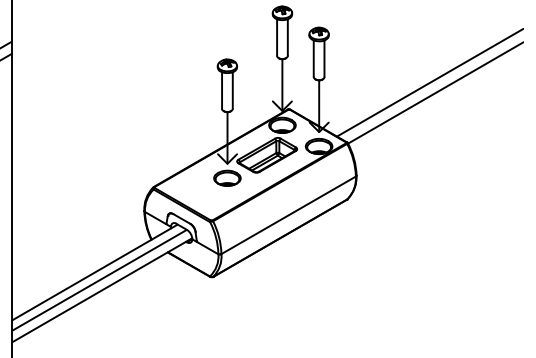
Remove screws from co-axial wire divider

8



Remove co-axial wire divider cover and insert feed from fixture

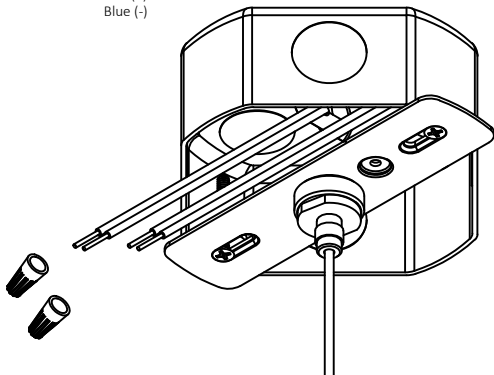
9



Replace co-axial wire divider cover and secure with screws

10

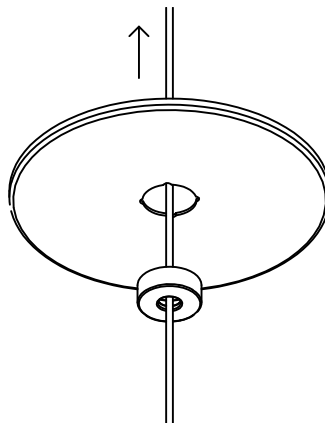
Co-Axial Wire Divider Wires
Red (+)
Blue (-)



Connect the wires from co-axial wire divider to the low voltage wires from the driver enclosure inside the junction box

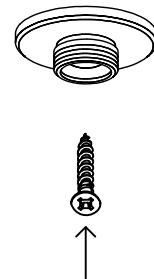
NOTE: JUNCTION BOXES MUST BE SOLIDLY FIXED TO THE CEILING AND ATTACHED TO THE STRUCTURAL MEMBER INSIDE THE CEILING BEFORE PROCEEDING WITH INSTALLATION.

11



Replace canopy and secure in place with canopy coupler

12



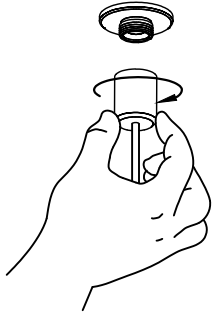
Locate second suspension point and secure cable fitting with anchor screws (by others) into secure blocking (by others)

INSTALLATION GUIDE-PENDANT



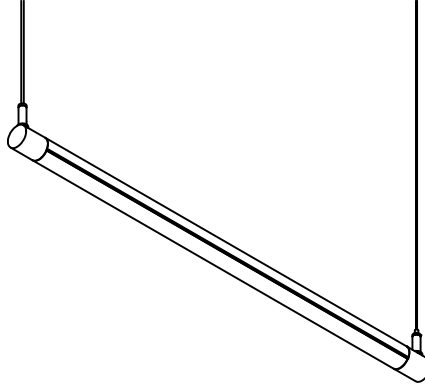
Risk of fire and electrical shock. In accordance with national local building and electrical codes, CORONET lighting fixtures must be installed by a qualified electrician. Disconnect power at electrical panel before servicing.

13



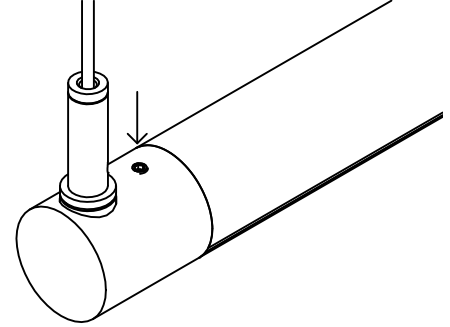
Rotate cover to lock, non-feed end, AC cable

14



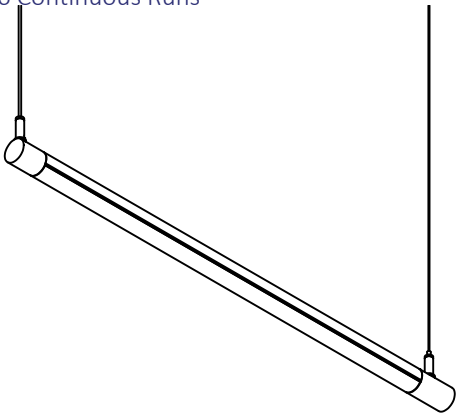
Insert fixture between feed end and non-feed end

15



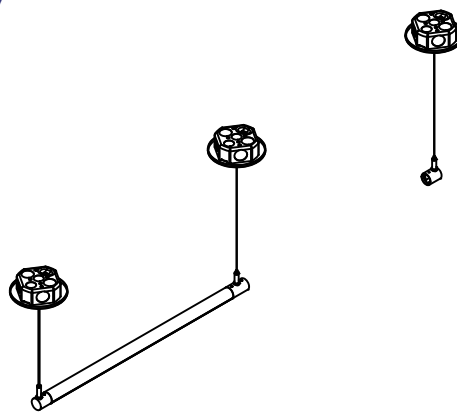
Rotate fixture to desired direction and lock in place with supplied 8-32 set screw at each end of the fixture

16 Continuous Runs



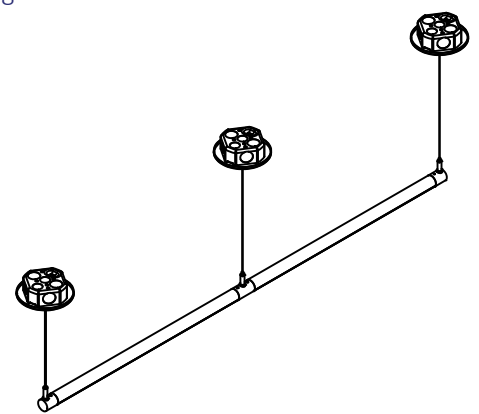
Follow Steps 1-15 to mount first fixture using a continuous run connector in between fixtures

17



Follow the appropriate steps to mount the next feed or non-feed. Refer to factory shop drawing for feed and non-feed locations

18



Follow step 15 to secure fixture in place

GENERAL INSTALLATION CONSIDERATIONS - See submittal drawings for job specific data.

Operating Temperature.....	-40°C to 50°C
Operating Voltage.....	110VAC-277VAC, 50Hz-60Hz
Weight.....	3 lb/ft
Dimensions.....	See submittal drawings

- Installation by a certified electrician only.
- Read and understand the installation instructions before attempting to install or use the fixture.
- Only use fixtures with voltage for which it is rated. Do not exceed the specified voltage and current input.
- Do not use the fixture if the housing, lens, or power cable is damaged.
- Ensure that the main power supply is off before installing or wiring the fixture.
- Method of wire connection to be determined by local electrical codes and regulations.
- The external flexible cable of this luminaire cannot be replaced; if the cord is damaged, contact Coronet.
- The light source contained in this luminaire shall only be replaced by the lighting manufacturer or his service agent or a similar qualified person.

Please contact our technical support team for assistance.

NOTE: JUNCTION BOXES MUST BE SOLIDLY FIXED TO THE CEILING AND ATTACHED TO THE STRUCTURAL MEMBER INSIDE THE CEILING BEFORE PROCEEDING WITH INSTALLATION.