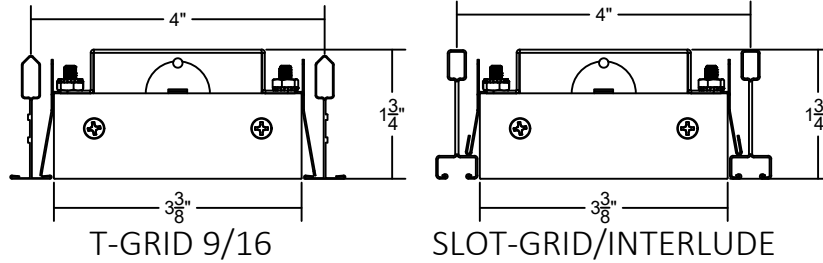


## INSTALLATION GUIDE-GRID



Risk of fire and electrical shock. In accordance with national local building and electrical codes, CORONET lighting fixtures must be installed by a qualified electrician. Disconnect power at electrical panel before servicing.

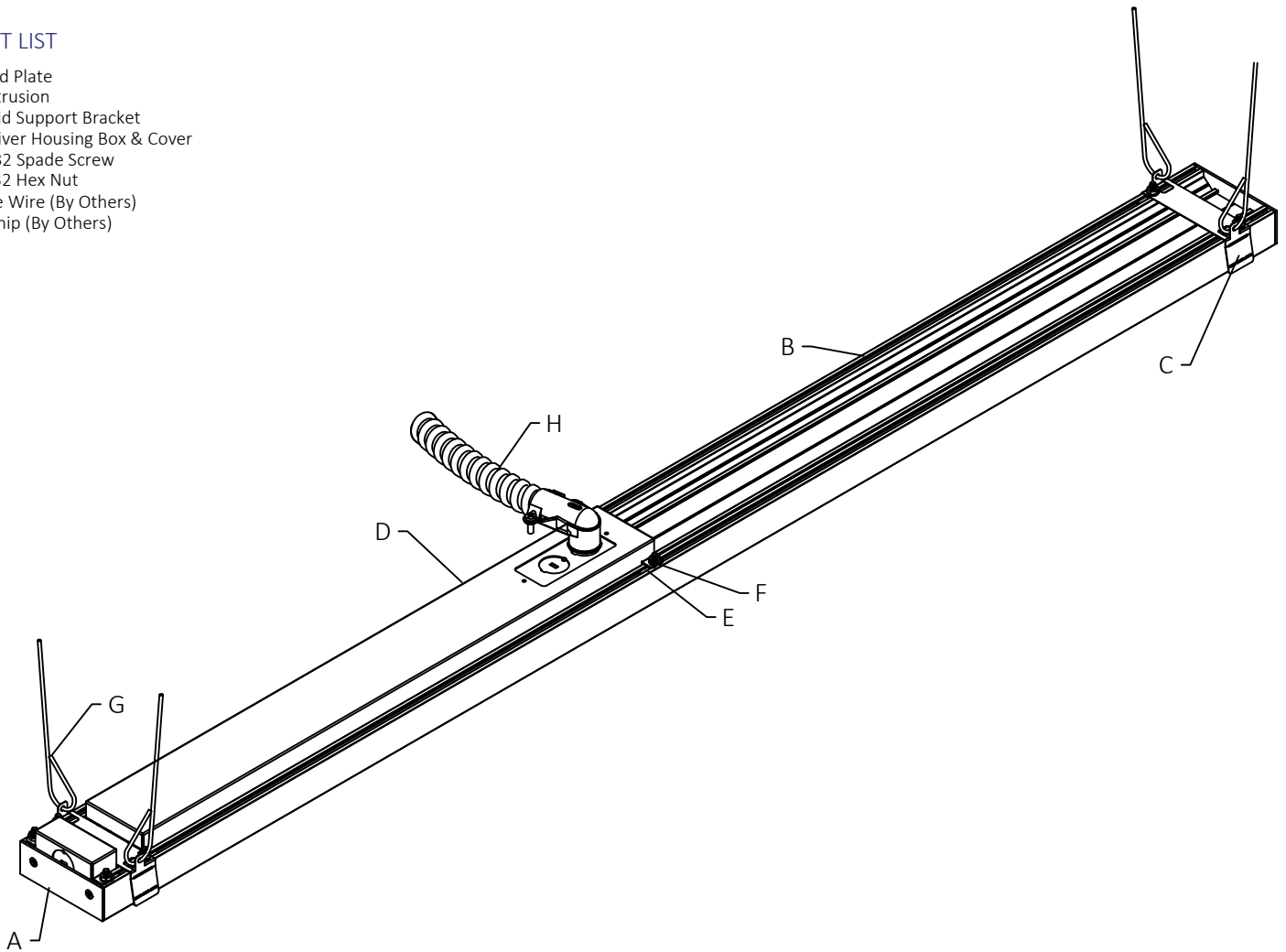
### CROSS SECTION VIEW



### ISOMETRIC VIEW

#### PART LIST

- A-End Plate
- B-Extrusion
- C-Grid Support Bracket
- D-Driver Housing Box & Cover
- E-8-32 Spade Screw
- F-8-32 Hex Nut
- G-Tie Wire (By Others)
- H-Whip (By Others)



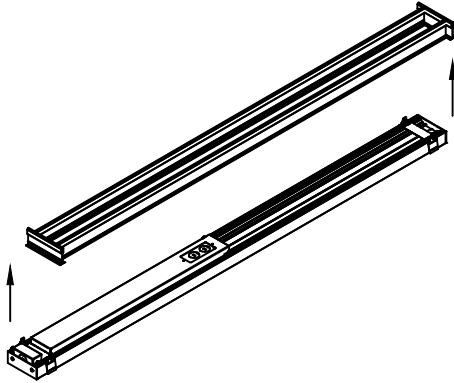
NOTE: INDIVIDUAL FIXTURES ARE NOT INTENDED FOR CONTINUOUS RUNS.  
 ADDITIONAL SUPPORTS TO THE STRUCTURE MAY BE REQUIRED.  
 \*CHECK WITH YOUR LOCAL BUILDING CODE FOR THOSE REQUIREMENTS.  
 TEE GRID DIMENSION IS NOT STANDARD. CONTRACTOR MUST MODIFY CEILING GRID TO FIT AROUND FIXTURE.

## INSTALLATION GUIDE-GRID



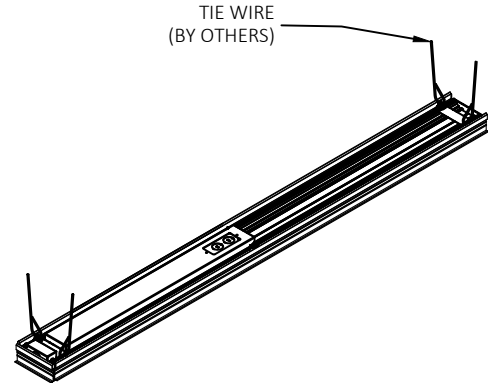
Risk of fire and electrical shock. In accordance with national local building and electrical codes, CORONET lighting fixtures must be installed by a qualified electrician. Disconnect power at electrical panel before servicing.

1



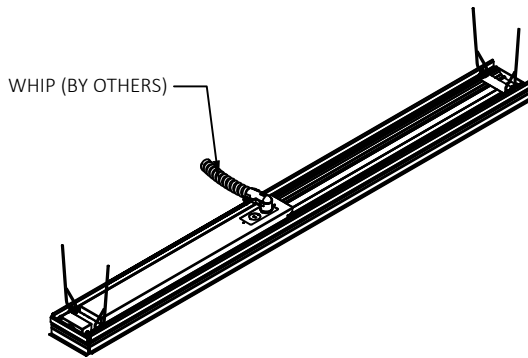
Insert the fixture into the ceiling grid and allow the brackets to rest on the ceiling grid.

2



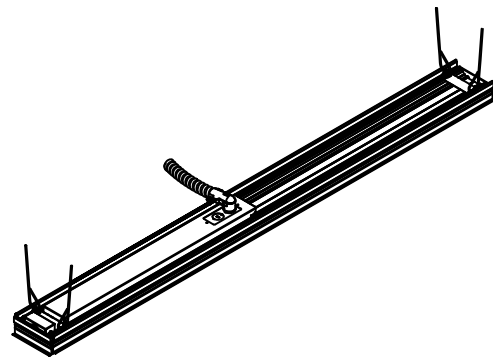
Use tie wire (by others) to secure the brackets to the building plenum.

3



Attach the WHIP to the fixture through the knockout on the side of the driver housing.

4



Power on the fixture to ensure that it operates correctly.

### GENERAL INSTALLATION CONSIDERATIONS - See submittal drawings for job specific data.

Operating Temperature.....-40°C to 50°C  
 Operating Voltage.....110VAC-277VAC, 50Hz-60Hz  
 Weight.....\_ lb/ft  
 Dimensions.....See submittal drawings

- Installation by a certified electrician only.
- Read and understand the installation instructions before attempting to install or use the fixture.
- Only use fixtures with voltage for which it is rated. Do not exceed the specified voltage and current input.
- Do not use the fixture if the housing, lens, or power cable is damaged.
- Ensure that the main power supply is off before installing or wiring the fixture.
- Method of wire connection to be determined by local electrical codes and regulations.
- The external flexible cable of this luminaire cannot be replaced; if the cord is damaged, contact Coronet.
- The light source contained in this luminaire shall only be replaced by the lighting manufacturer or his service agent or a similar qualified person.

Please contact our technical support team for assistance.