

# Drop Narrow 2.5 indirect/direct

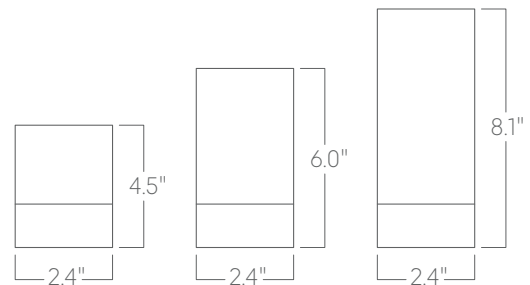


Indirect-direct accent lighting for surface or suspended applications. Available in three heights and four beam-spreads.

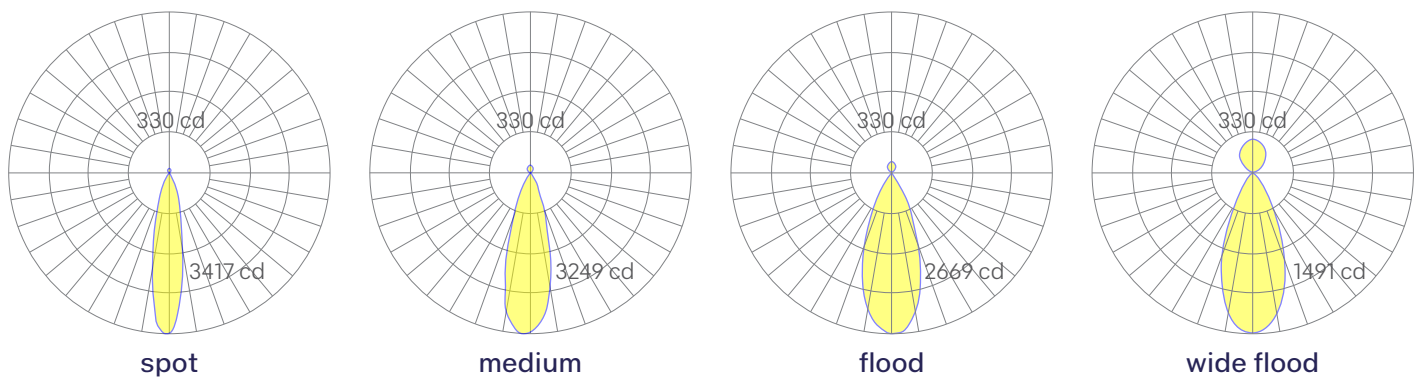
## Features

- Indirect-direct light distribution
- Extruded, recycled, premium aluminum housing
- Specifiable color temperature. CRI > 90, R9 > 50
- 5 Year, 50,000 hour warranty, damp location rated
- WELL Building Standard compatible [learn more](#)

## Dimensions



## Optics



Representative distribution and peak candela. For other options see order information or IES files [here](#).

# Drop Narrow 2.5 indirect/direct

## Ordering Information

For each option group below specify one option. If you don't see your preferred option listed, contact us for [help](#).

1	Fixture ID	2	Length	3	Color Temperature	4	Output
<b>DROP NARROW UPDN</b>		<b>4</b>	4 inch nominal	<b>27</b>	2700K/90 CRI	<b>LOW</b>	Low output
		<b>6</b>	6 inch nominal	<b>30</b>	3000K/90 CRI	<b>MED</b>	Medium output
		<b>8</b>	8 inch nominal	<b>35</b>	3500K/90 CRI		
				<b>40</b>	4000K/90 CRI		
5	Voltage	6	Driver	7	Finish	8	Mounting
<b>UNV</b>	Universal (120/277V)	<b>DB</b>	Standard 0-10V 1% According to fixture size, driver may be integral or remote. See page 4.	<b>BLK</b>	Black	<b>PC</b>	Pendant Cable
				<b>W</b>	White	<b>PS-X</b>	Pendant Stem (12", 18", 24", 36", 48")
9	Beam Spread	10	Circuit	11	Options		
<b>SP</b>	17° Beam	<b>NA</b>	None	<b>NA</b>	None		
<b>MED</b>	22° Beam	<b>DC</b>	Dual Circuit (separate indirect/direct control) May require additional power feeds.	<b>HEX</b>	Hex Louver		
<b>FL</b>	35° Beam	<b>EMCKT</b>	Emergency circuit May require additional power feeds				
<b>WFL</b>	60° Beam	<b>EMPCK</b>	Emergency battery pack Supplied in a dual remote enclosure with the LED driver				

## Performance

Output <sup>1</sup>	Indirect		Direct	
	Watts	Lumens	Watts	Lumens
Low	6	482	6	525
Medium	9	684	9	824

<sup>1</sup>Based on 8" tall fixture, 90 CRI, 4000K luminaire using one driver.  
Custom outputs available. Please consult factory.  
For 4000K multiply by 105; for 3000K, 0.9%; for 2700K, 0.92.

## Technical Information

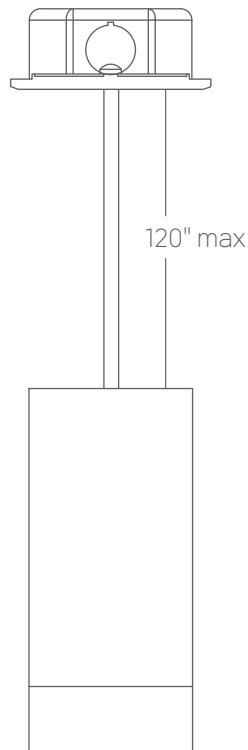


click [here](#) or scan QR code

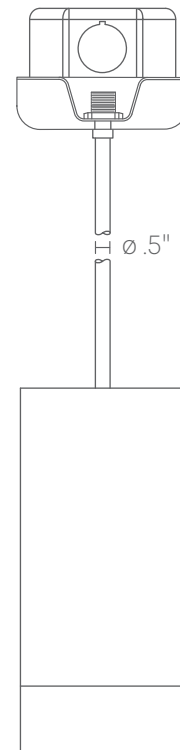
Wiring diagrams, PoE and sensor details

# Drop Narrow 2.5 indirect/direct

## Mounting Options



**Pendant cable**



**Pendant stem**

# Drop Narrow 2.5 indirect/direct

## Drop LED Driver Locations\*

\*If no emergency battery pack is specified. If emergency battery pack is specified, it will be supplied in a dual remote enclosure with LED driver.

### DROP NARROW

#### direct

Height	Driver
4"	remote
6"	remote
8"	integral

#### indirect/direct

Height	Driver
4"	remote
6"	remote
8"	integral

### DROP WIDE

#### direct

Height	Driver
4"	remote
6"	integral
8"	integral

#### indirect/direct

Height	Driver
4"	remote
6"	integral
8"	integral

## Remote Driver Distances

wire gauge	max. distance
12	100 ft
14	80 ft
16	50 ft
18	35 ft

## Remote Driver Enclosure Sizes

