

Drop Narrow 2.5 direct

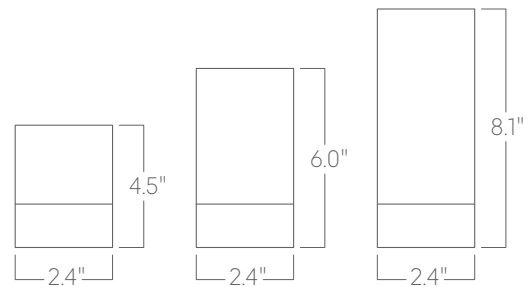


Accent lighting for surface or suspended applications. Available in three heights and four beam-spreads.

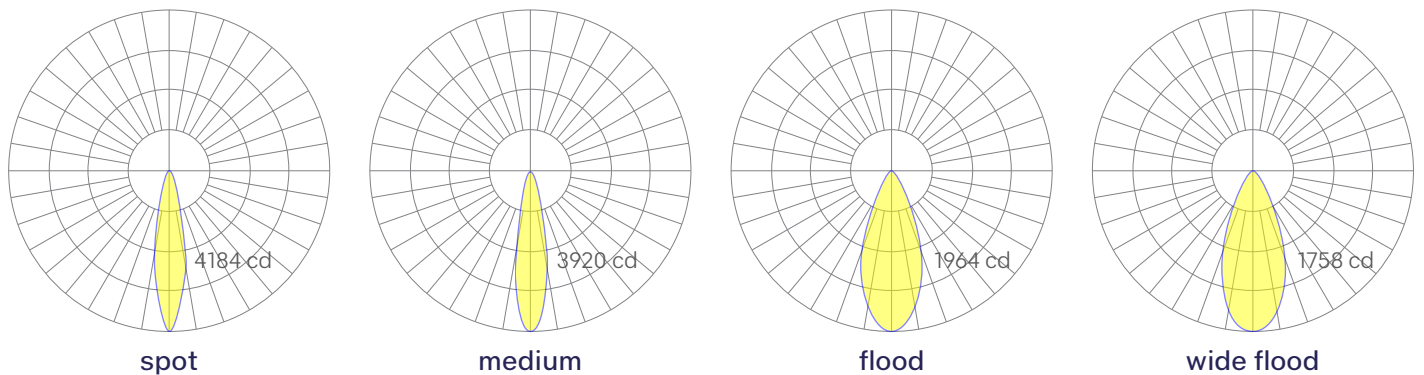
Features

- Extruded, recycled, premium aluminum housing
- Specifiable color temperature. CRI > 90, R9 > 50
- 5 Year, 50,000 hour warranty, damp location rated
- WELL Building Standard compatible [learn more](#)

Dimensions



Optics



Representative distribution and peak candela. For other options see order information or IES files [here](#).

Drop Narrow 2.5 direct

Ordering Information

For each option group below specify one option. If you don't see your preferred option listed, contact us for [help](#).

1	Fixture ID	2	Length	3	Color Temperature	4	Output
DROP-N		4	4 inch nominal	27	2700K/90 CRI	MED	Medium output
		6	6 inch nominal	30	3000K/90 CRI		
		8	8 inch nominal	35	3500K/90 CRI		
				40	4000K/90 CRI		
5	Voltage	6	Driver	7	Finish	8	Mounting
UNV	Universal (120/277V)	DB	Standard 0-10V 1% According to fixture size, driver may be integral or remote. See page 4.	BLK	Black	PC	Pendant Cable
				W	White	SM	Surface Mount
						CTD-SM	Connect the Drops: Surface Mount
						CTD-PC	Connect the Drops: Pendant Cable
						PS-X	Pendant Stem (12", 18", 24", 36", 48)
9	Beam Spread	10	Circuit	11	Options		
SP	17° Beam	NA	None	NA	None		
MED	22° Beam	EMPCK	Emergency battery pack Supplied in a dual remote enclosure with the LED driver	HEX	Hex Louver		
FL	35° Beam						
WFL	60° Beam	EMCKT	Emergency circuit May require additional power feeds				

Performance

Output ¹	Watts	Lumens
Medium	12	1031

¹Based on 6" tall fixture, WFL beam spread, 90 CRI, and 3500K luminaire using one driver. Custom outputs available. Please consult factory.
For 4000K multiply by 1.02; for 3000K, 0.98; for 2700K, 0.96.

Technical Information

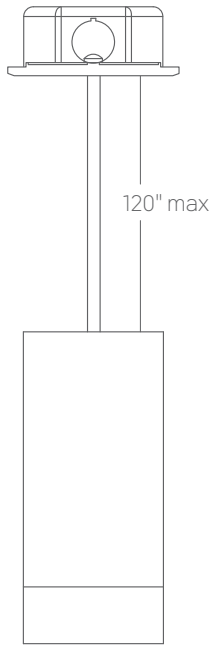


click [here](#) or scan QR code

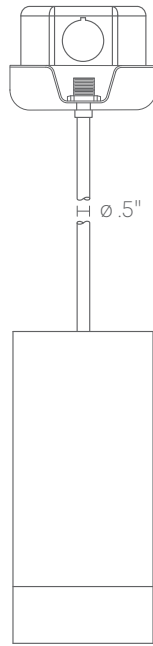
Wiring diagrams, PoE and sensor details

Drop Narrow 2.5 direct

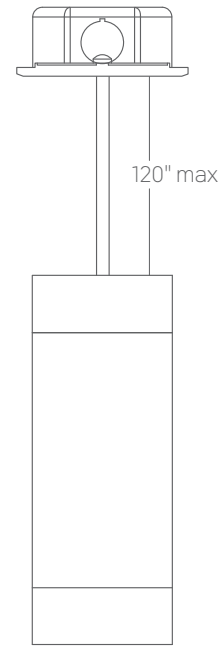
Mounting Options



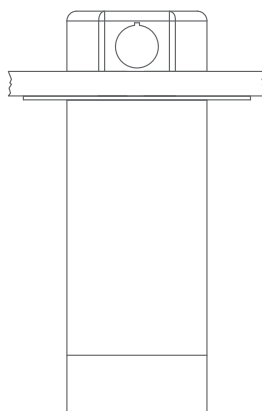
Pendant cable



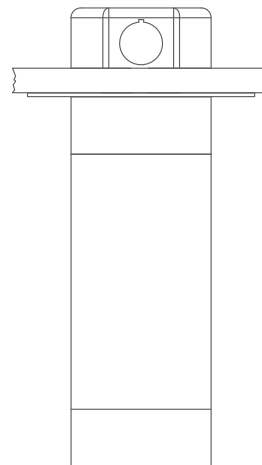
Pendant stem



Connect the drops - Pendant cable



Surface mount



Connect the drops - Surface Mount

Drop Narrow 2.5 direct

Drop LED Driver Locations*

*If no emergency battery pack is specified. If emergency battery pack is specified, it will be supplied in a dual remote enclosure with LED driver.

DROP NARROW

direct

Height	Driver
4"	remote
6"	remote
8"	integral

indirect/direct

Height	Driver
4"	remote
6"	remote
8"	integral

DROP WIDE

direct

Height	Driver
4"	remote
6"	integral
8"	integral

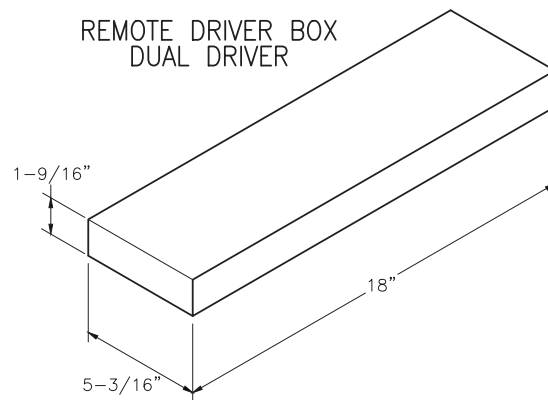
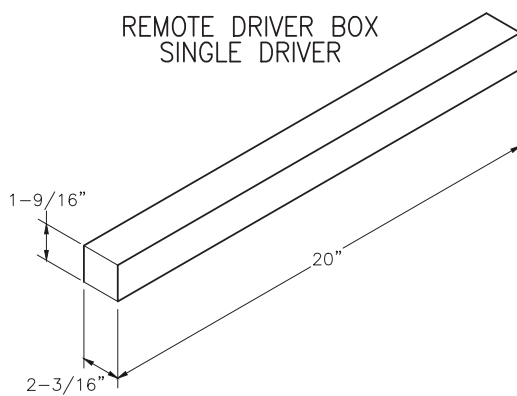
indirect/direct

Height	Driver
4"	remote
6"	integral
8"	integral

Remote Driver Distances

wire gauge	max. distance
12	100 ft
14	80 ft
16	50 ft
18	35 ft

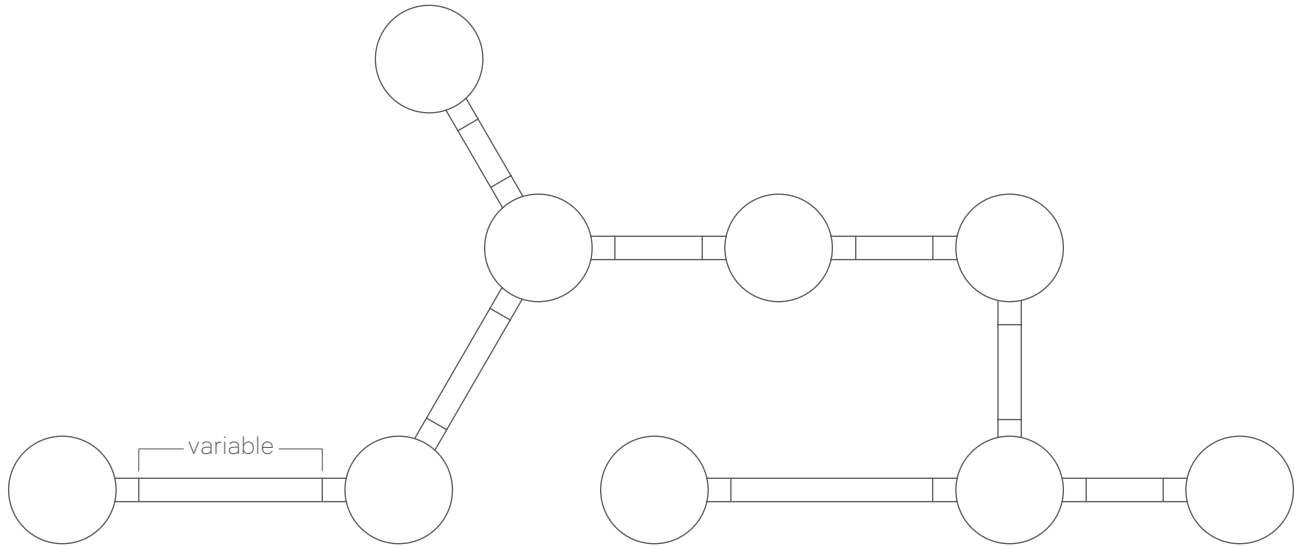
Remote Driver Enclosure Sizes



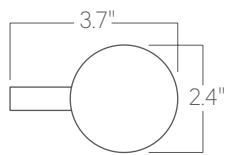
Drop Narrow 2.5 direct

Sample Sketch

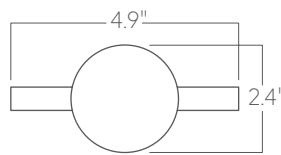
Please submit a sketch indicating the shape of the pattern and the length (8ft max) of the square conduit connecting the drops. See the below example.



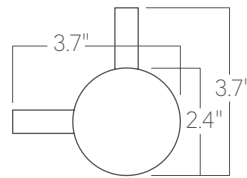
Components



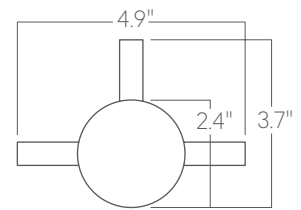
single connector



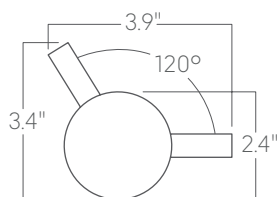
straight connector



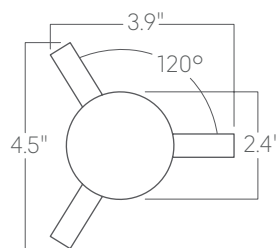
90° connector



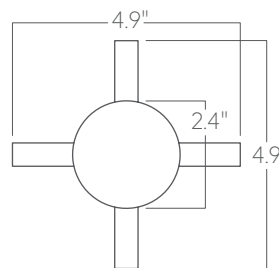
"T" connector



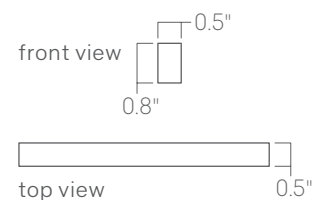
two-way 120° connector



three-way 120° connector



"X" connector



square conduit (8ft max)