

Angled Pendant Orb module

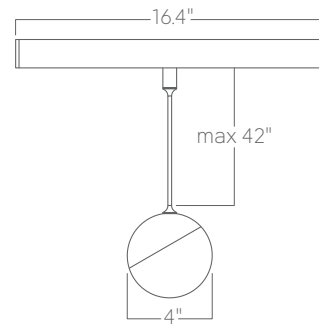


Spherical module with 4" diameter, suspended by cable.

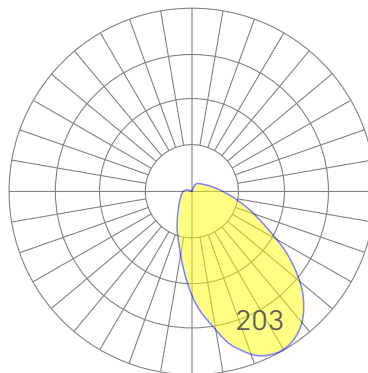
Features

- Magnetically held and easily repositioned on site
- Cable suspended up to 42"
- Extruded, recycled, premium aluminum housing
- Aluminum core LED boards
- Specifiable color temperature. CRI > 90, R9 > 50
- 5 Year, 50,000 hour warranty, damp location rated

Dimensions



Optics



Representative distribution and peak candela. For other options see order information or IES files [here](#).

Angled Pendant Orb module



Ordering Information

- - -
 1 2 3 4

Example: MAG-ANG PEND ORB - 35 - MED - W

Fixture ID	1	Color Temperature	2	Output	3	Finish	4
MAG-ANG PEND ORB		27 2700K/90 CRI 30 3000K/90 CRI 35 3500K/90 CRI 40 4000K/90 CRI		MED Medium output		BLK Black W White	

Performance

Output ¹	Watts	Lumens
Medium	8	550

Based on a typically configured 90 CRI, 3500K luminaire using one driver.

¹For 3000k, 0.9%; for 2700k, 0.92.