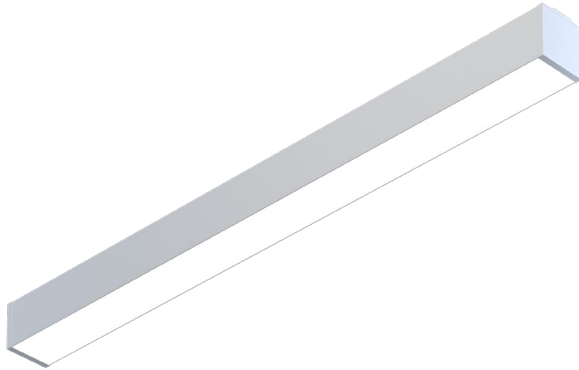


# LS Wet direct

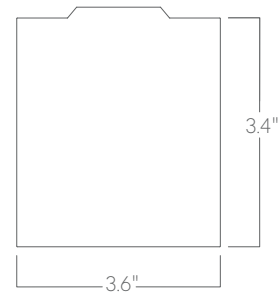


The LS Series of architectural luminaires offers a wide range of profiles and mounting options. Custom lengths are tailored to suit any modern space.

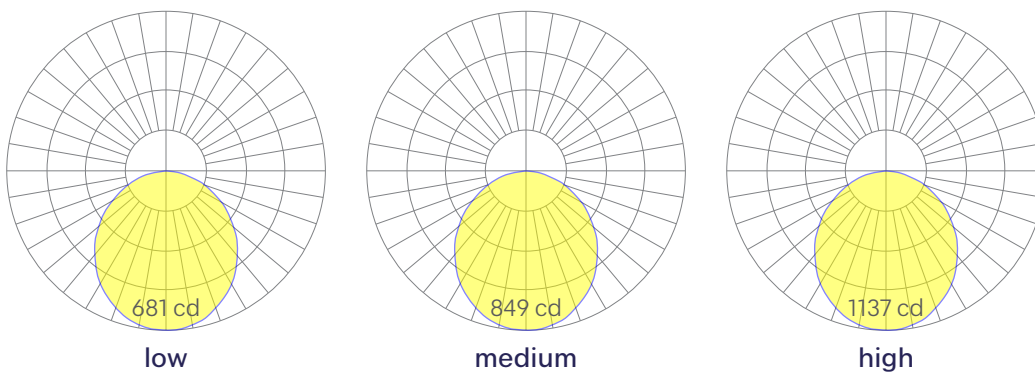
## Features

- Aluminum housing with waterproof seals and connectors
- Rated for wet locations
- Aluminum core LED boards
- Specifiable color temperature. CRI > 90, R9 > 50
- Custom lengths and finishes available
- Integral specifiable dimmable drivers or PoE (remote)
- 5 Year, 50,000 hour warranty

## Dimensions



## Optics



Representative distribution and peak candela. For other options see order information or IES files [here](#).

# LS Wet direct

## Ordering Information

For each option group below specify one option. If you don't see your preferred option listed, contact us for [help](#).

1	Fixture ID	2	Length	3	Color Temperature	4	Output
	<b>LS WET</b>	<b>4</b> <b>8</b> <b>X'</b>	4 ft 8 ft Continuous Runs Joiner brackets provided; 4ft increments only.	<b>27</b> <b>30</b> <b>35</b> <b>40</b> <b>50</b> <b>WD</b> <b>TW</b>	2700K/90 CRI 3000K/90 CRI 3500K/90 CRI 4000K/90 CRI 5000K/90 CRI Warm Dim 2200K-3000K Must use WD10 driver. Tunable White 2700K-6500K Must use TW10 or PSQ driver.	<b>LOW</b> <b>MED</b> <b>HIGH</b> <b>CUST</b>	Low output Medium output High output Custom output Specify Watts or lumens
5	Voltage	6	Driver	7	Finish	8	Mounting
	<b>UNV</b> Universal (120/277V) <b>347V</b> 347V Available for DB Driver only	<b>DB</b> Standard 0-10V 1% <b>DB.1%</b> 0-10V 0.1% <b>ELV</b> Reverse Phase 1% (120V only) For compatible dimmers see <a href="#">here</a> . <b>TRI</b> Forward phase (120V only) For compatible dimmers see <a href="#">here</a> . <b>LDE</b> Lutron Digital EcoSystem <b>DALI</b> DALI-2 Driver <b>PoE</b> Power over ethernet. <b>TW10</b> Dual channel, 0-10V for tunable white. <b>WD10</b> 0-10V Warm Dim <b>PSQ</b> Lutron T-Series 2-channel 1% for tunable white <b>DMX</b> DMX512 All DMX drivers set to default address 001 and provided in remote enclosures. Contact us for other addressing needs	<b>SA</b> Satin Aluminum <b>W</b> White <b>BLK</b> Black	<b>SM</b> Surface Mount <b>WM</b> Wall Mount <b>PS-X</b> Pendant Stem (12", 18", 24", 36", 48") White stems, canopies and power cord unless option specified in section 12.			
9	Optics	10	Sensors/Controls	11	Circuit	12	Options
	<b>SD</b> Standard Diffuser	<b>NA</b> None <b>CCS</b> Casambi Module uplight only	<b>NA</b> None <b>EMPCK</b> Emergency battery pack May require additional power feeds. <b>EMCKT</b> Emergency circuit May require additional power feeds	<b>STD</b> White Canopy + White Cord <b>CAN-X</b> Canopy + color See finish options <a href="#">here</a> . <b>SJ-BLK</b> Black cord <b>SJ-WHT</b> White cord			

## Performance

Output <sup>1</sup>	Watts/ft	Lumens/ft
Low	5	425
Medium	7	590
High	10	844

<sup>1</sup>Based on a typically configured 90 CRI, 3500K luminaire using one driver.  
Custom outputs available. Please consult factory.  
For 4000K multiply by 1.05, for 3000K, 0.9%, for 2700K, 0.92.

## Technical Information



click [here](#) or scan QR code

Wiring diagrams, PoE and sensor details

# LS Wet direct

## Drivers & Electrical

Integral drivers\* with 0-10V Dimming standard. Several other driver options available; see ordering information.

\*DMX drivers are provided in remote enclosures.

## Sensors & Controls

Sensors are installed on an aluminum plate adjacent to the luminaire lens<sup>1</sup>. Coronet remains agnostic in our approach to sensors and control systems; our fixtures are compatible with most systems offered.

<sup>1</sup>Not applicable to indirect only models. Consult factory.

## Emergency Back-Up

For fixtures three-feet or longer, a 4W integral emergency driver may be wired to 4ft sections. 7W, 10W, and 12W drivers are also available (not all integral; consult factory). Emergency circuits for use with building generators are also available.

## PoE (Power over Ethernet)

Compatible with virtually all PoE systems including Molex Coresync, Igor, Smartengine, Platformatics, and NuLED SPICEbox.

Consult factory for systems not listed. See [here](#) for more info.

## Finishes

All luminaires are finished in high quality polyester powder coating. Our standard color is white. Any RAL color may be specified.

## Weight

5 lbs per foot

## Optics

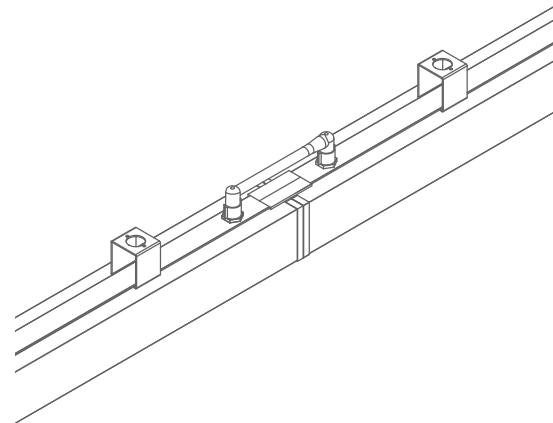
Extruded satin acrylic lenses provide excellent diffusion, high transmission, and no LED imaging.

## Construction

Housings are extruded premium, recycled aluminum. Individual fixtures are available up to 8' long.

## Joined Runs

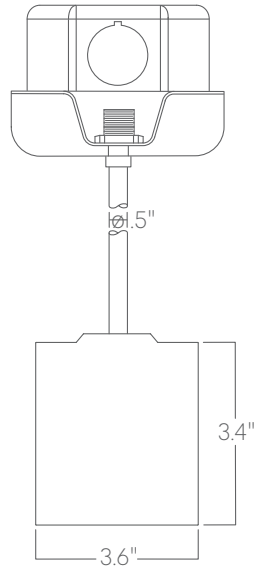
Runs of any length may be specified and are comprised of multiple, factory-engineered, joined sections. Individually specified luminaires are not field joinable.



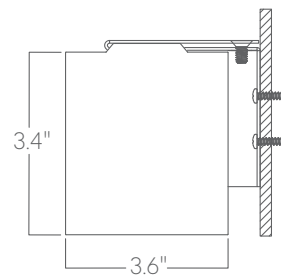
Representative joinery. For product specific details see installation guides or submittal drawings.

## Mounting Options

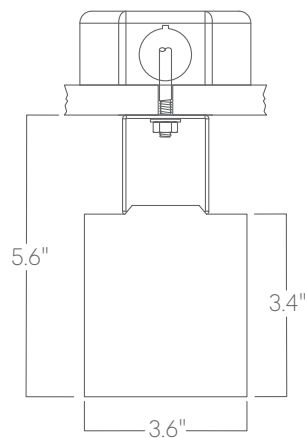
Custom mounting types and ceiling transitions available; consult factory.



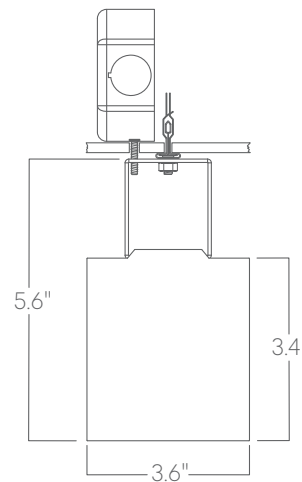
**Pendant stem**



**Wall mount**



**Surface mount  
Hard Ceiling**



**Surface mount  
T Bar clip**

Please consult factory shop drawings for suspension points.

To prevent damage to fixtures, factory designated suspension points must not be field altered.

Do not attempt installation if you do not understand the installation instructions.