

# Small Spot module

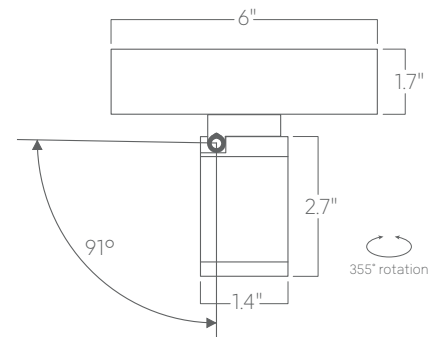


Small Spot module with three beam spreads available and optional hex louver for low glare.

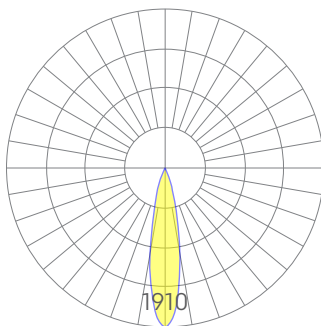
## Features

- Magnetically held and easily repositioned on site
- Three beam spreads available
- Extruded, recycled, premium aluminum housing
- Aluminum core LED boards, specifiable optics
- Specifiable color temperature. CRI > 90, R9 >50
- 5 Year, 50,000 hour warranty

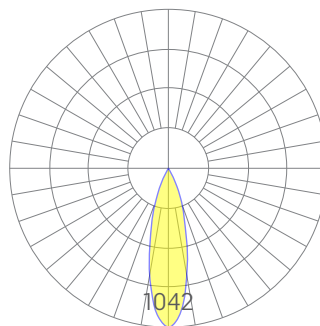
## Dimensions



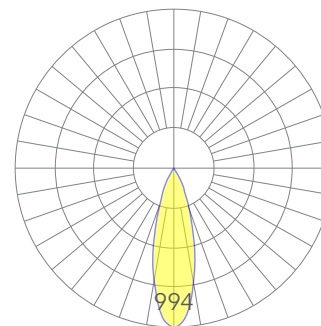
## Optics



spot



flood



wide flood

Representative distribution and peak candela. For other options see order information or IES files [here](#).

# Small Spot module



## Ordering Information

-  -  -  -  -   
 1            2            3            4            5            6

Example:            MAG-SP SM - 35 - MED - W - FL - HEX

<b>Fixture ID</b>	<input type="text" value="1"/>	<b>Color Temperature</b>	<input type="text" value="2"/>	<b>Output</b>	<input type="text" value="3"/>	<b>Finish</b>	<input type="text" value="4"/>
MAG-SP SM		<b>27</b> 2700K/90 CRI <b>30</b> 3000K/90 CRI <b>35</b> 3500K/90 CRI <b>40</b> 4000K/90 CRI		MED    Medium output		<b>BLK</b> Black <b>W</b> White	
<b>Beam Spread</b>	<input type="text" value="5"/>	<b>Optional Accessories</b>	<input type="text" value="6"/>				
<b>SP</b> 24° Beam; 1754 CBCP <b>FL</b> 27° Beam; 1700 CBCP <b>WFL</b> 30° Beam; 994 CBCP		<b>NA</b> None <b>HEX</b> Hex Louver		Field changable optics, consult factory.			

## Performance

Output <sup>1</sup>	Watts	Lumens
Medium	5	328

Based on 'WFL' option, 90 CRI, 3500K luminaire using one driver.

<sup>1</sup>For 4000k, multiply by 1.05, for 3000k, 0.96, for 2700k, 0.92.