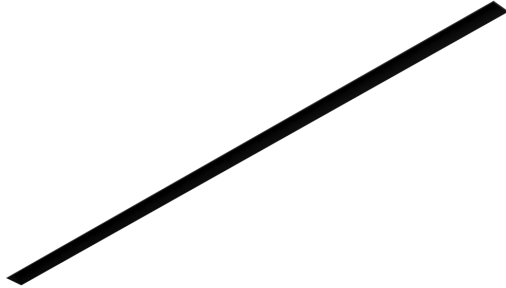


# Magneto Recessed Track

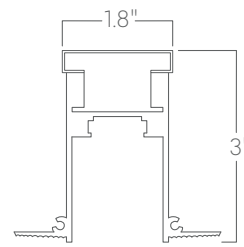


Linear module available in custom lengths and colors for general and task lighting.

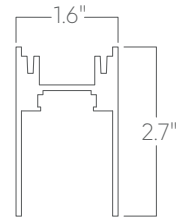
## Features

- Two-circuit track
- Optional uplight component
- Extruded, recycled, premium aluminum housing
- Aluminum core LED boards, specifiable optics
- Specifiable color temperature. CRI > 90, R9 >50
- 5 Year, 50,000 hour warranty

## Dimensions



mud-in flange



grid/slot grid

# Magneto Recessed Track

## Ordering Information



Example: MAGR-TRK - 8' - DR30 - DR30 - UNV - T15 - W - CCS

Fixture ID <input type="text" value="1"/>	Length <input type="text" value="2"/>	Driver Circuit 1 <input type="text" value="3"/>	Driver Circuit 2 <input type="text" value="4"/>
<b>MAGR-TRK</b>	<b>4</b> 4 ft <b>8</b> 8 ft <b>X'-X''</b> Specify Length <b>PAT</b> Pattern (Consult Factory)	<b>DR30</b> 30W Driver; 0-10v Dimming <b>DR60</b> 60W Driver; 0-10v Dimming <b>DR90</b> 90W Driver; 0-10v Dimming <b>ELV/TRI96</b> 96W Driver; 2-wire, Forward/Reverse phase Dimming (120V only) <b>DMX-DR30</b> 30W Driver DMX control <b>DMX-DR60</b> 60W Driver DMX control <b>DMX-DR90</b> 90W Driver DMX control	<b>DR30</b> 30W Driver; 0-10v Dimming <b>DR60</b> 60W Driver; 0-10v Dimming <b>DR90</b> 90W Driver; 0-10v Dimming <b>ELV/TRI96</b> 96W Driver; 2-wire, Forward/Reverse phase Dimming (120V only) <b>DMX-DR30</b> 30W Driver DMX control <b>DMX-DR60</b> 60W Driver DMX control <b>DMX-DR90</b> 90W Driver DMX control
<small>*Precision lengths may be specified to the nearest 1/8".</small>			
Voltage <input type="text" value="5"/>	Mounting <input type="text" value="6"/>	Finish <input type="text" value="7"/>	Other Options <input type="text" value="8"/>
<b>UNV 347V'</b> Universal (120/277V) 347V	<b>T</b> 9/16" Tee Grid <b>T15</b> 15/16" Tee Grid <b>SG</b> Slot Grid/Interlude <b>NT</b> Mud-in Flange	<b>W</b> White <b>BLK</b> Black <b>SLV</b> Silver <b>CC'</b> Custom Color	<b>CCS</b> Casambi Module
<small>*Must use DB Driver</small>		<small>*Custom Color. See finish options <a href="#">here</a>.</small>	

## Technical Information



click [here](#) or scan QR code

Wiring diagrams, PoE and sensor details

# Magneto Recessed Track

## Drivers and Electrical

Uplight and dual circuit track. Remote constant voltage driver with integral 1% 0-10v dimming for track. Remote constant current driver for uplight. 20ft maximum remote driver distance from feed. track must be re-fed every 30ft or when driver max is reached (whichever comes first). For remote driver box sizes, click [here](#).

## Emergency Back-Up

A 10W remote emergency driver may be wired to 4ft linear modules only and will be supplied in a remote enclosure. Emergency circuits for use with building generators are also available.

## Finishes

All luminaires are finished in high quality polyester powder coating.

## Weight

5lbs per foot (excludes modules)

## Optics

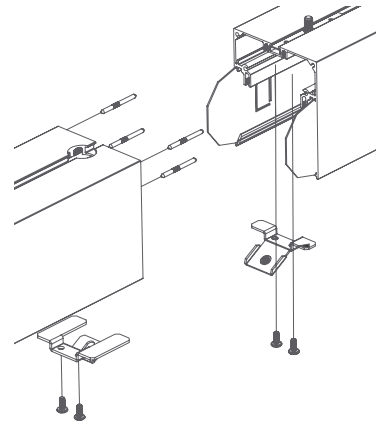
Extruded satin acrylic lenses provide excellent diffusion, high transmission, and no LED imaging.

## Construction

Housings are extruded premium, recycled aluminum. Individual fixtures are available up to 12' long and may be specified as nominal or precision lengths. Precision lengths are supplied within 1/8" tolerance.

## Joined runs

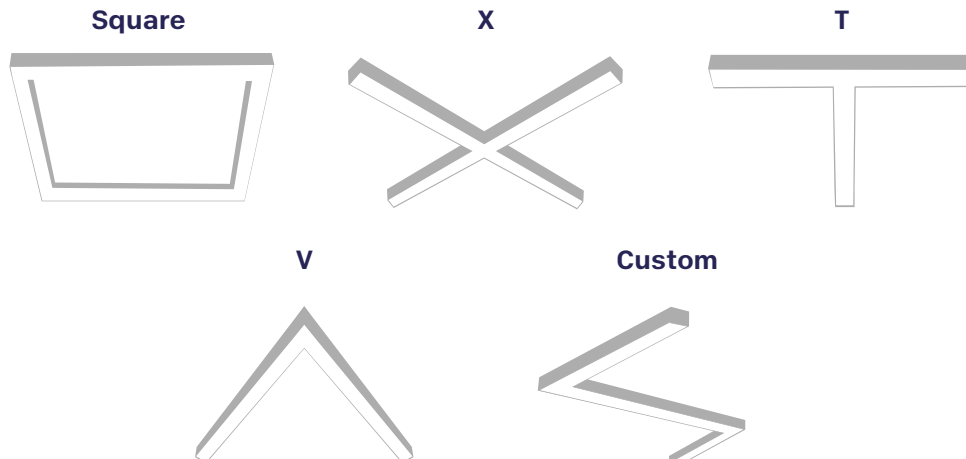
Runs of any length may be specified and are comprised of multiple, factory-engineered, joined sections. Individually specified luminaires are not field joinable.



Representative joinery. For product specific details see installation guides or submittal drawings.

## Patterns

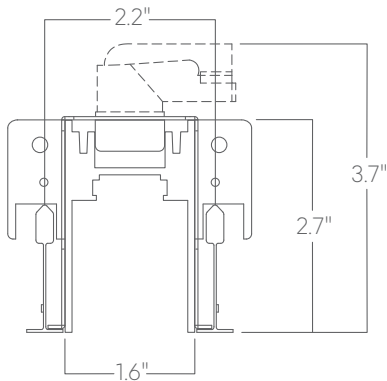
Featuring illuminated welded corners and angles. Consult factory for custom designs.



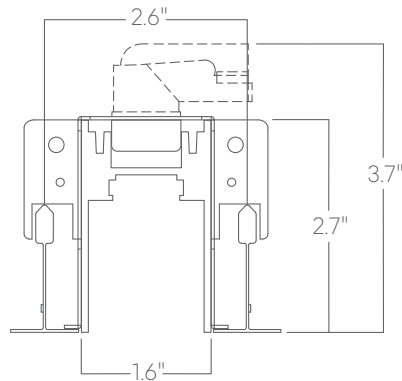
# Magneto Recessed Track

## Mounting Options

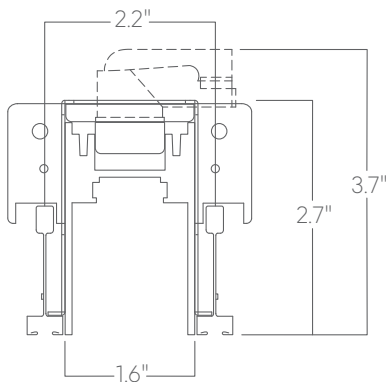
Custom mounting types and ceiling transitions available; consult factory.



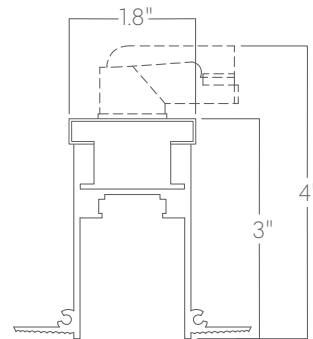
**T**  
9/16" tee grid



**T15**  
15/16" tee grid



**SG**  
slot grid



**NT**  
mud-in flange