

Medium Spot module

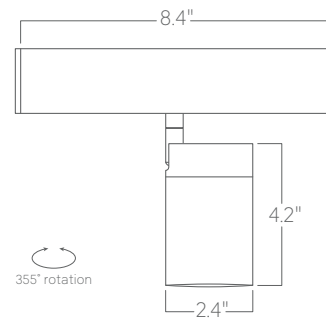


Medium Spot module with three beam spreads available and optional hex louver for low glare.

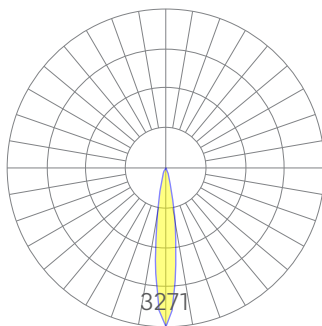
Features

- Magnetically held and easily repositioned on site
- Three beam spreads available
- Extruded, recycled, premium aluminum housing
- Aluminum core LED boards, specifiable optics
- Specifiable color temperature. CRI > 90, R9 >50
- 5 Year, 50,000 hour warranty, damp location rated

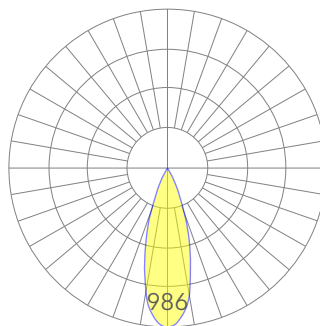
Dimensions



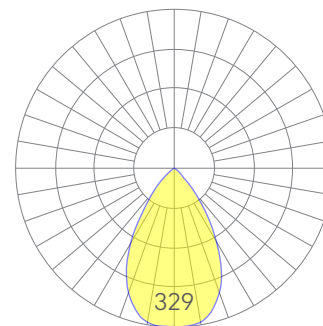
Optics



spot



flood



wide flood

Representative distribution and peak candela. For other options see order information or IES files [here](#).

Medium Spot module



Ordering Information

- - - - -
 1 2 3 4 5 6

Example: MAG-SP MD - 35 - MED - W - FL - HEX

Fixture ID	<input type="text" value="1"/>	Color Temperature	<input type="text" value="2"/>	Output	<input type="text" value="3"/>	Finish	<input type="text" value="4"/>
MAG-SP MD		27 ✓ 2700K/90 CRI 30 ✓ 3000K/90 CRI 35 3500K/90 CRI 40 4000K/90 CRI		LOW Low output MED Medium output		BLK Black W White	
<small>✓ 95 CRI Artist Studio Chip optional.</small>							
Beam Spread	<input type="text" value="5"/>	Optional Accessories	<input type="text" value="6"/>				
SP 15° Beam; 3271 CBCP FL 38° Beam; 986 CBCP WFL 60° Beam; 328 CBCP		NA None HEX Hex Louver ART ✓ Artist Studio Series; 98CRI and R9 of 95					
<small>Field changable optics, consult factory.</small>		<small>¹Only available with CCT of 2700k or 3000k.</small>					

Performance

Output ¹	Watts	Lumens
Low	8	340
Medium	11	564

Based on 'WFL' option, 90 CRI, 3500K luminaire using one driver.

¹For 4000k, multiply by 105, for 3000k, 0.96, for 2700k, 0.92.
For Artist Studio Series 95 CRI, multiply by 88