

# Medium Pendant Adjustable Spot module

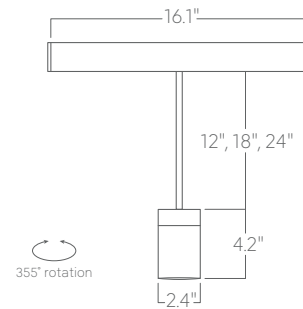


Medium Pendant Adjustable Spot module with 355° rotation. Three beam spreads available and optional hex louver for low glare. Suspended by pendant stem.

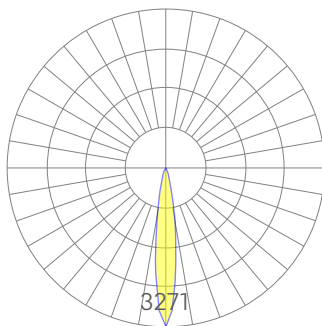
## Features

- Magnetically held and easily repositioned on site
- Three beam spreads available
- Extruded, recycled, premium aluminum housing
- Aluminum core LED boards, specifiable optics
- Specifiable color temperature. CRI > 90, R9 >50
- 5 Year, 50,000 hour warranty, damp location rated

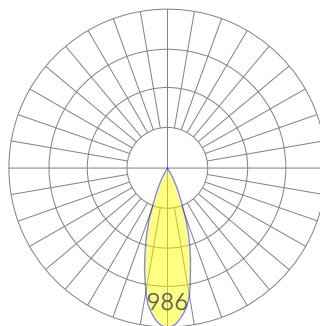
## Dimensions



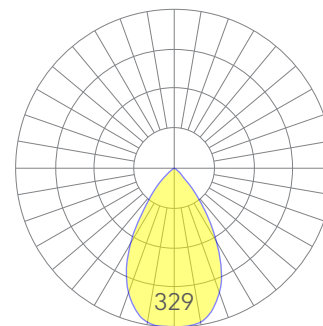
## Optics



spot



flood



wide flood

Representative distribution and peak candela. For other options see order information or IES files [here](#).

# Medium Pendant Adjustable Spot module



## Ordering Information

-  -  -  -  -

1                      2                      3                      4                      5                      6

Example:                      MAG-PEND ADJ MED - 35 - MED - W - FL - HEX

<b>Fixture ID</b>	<input type="text" value="1"/>	<b>Color Temperature</b>	<input type="text" value="2"/>	<b>Output</b>	<input type="text" value="3"/>	<b>Finish</b>	<input type="text" value="4"/>	
<b>MAG-PEND ADJ MED</b>		<b>27</b> 2700K/90 CRI <b>30</b> 3000K/90 CRI <b>35</b> 3500K/90 CRI <b>40</b> 4000K/90 CRI		<b>LOW</b> Low output <b>MED</b> Medium output		<b>BLK</b> Black <b>W</b> White		
<small>95 CRI Artist Studio Chip optional.</small>								
<b>Beam Spread</b>	<input type="text" value="5"/>	<b>Pendant Stem</b>	<input type="text" value="6"/>	<b>Optional Accessories</b>				<input type="text" value="6"/>
<b>SP</b> 15° Beam; 3271 CBCP <b>FL</b> 38° Beam; 986 CBCP <b>WFL</b> 60° Beam; 328 CBCP		<b>12"</b> <b>18"</b> <b>24"</b>		<b>NA</b> None <b>HEX</b> Hex Louver <b>ART<sup>1</sup></b> Artist Studio Series; 98CRI and R9 of 95				
<small>Field changable optics, consult factory.</small>				<small><sup>1</sup>Only available with CCT of 2700k or 3000k.</small>				

## Performance

Output <sup>1</sup>	Watts	Lumens
Low	8	340
Medium	11	564

Based on 'WFL' option, 90 CRI, 3500K luminaire using one driver.

<sup>1</sup>For 4000k, multiply by 1.05, for 3000k, 0.96, for 2700k, 0.92.  
For Artist Studio Series 95 CRI, multiply by 88