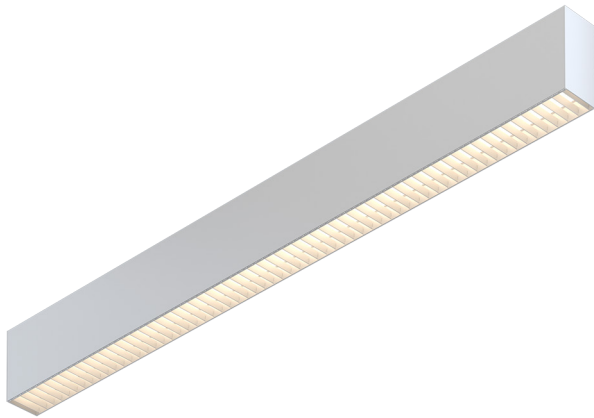


# LS2 Louver indirect/direct

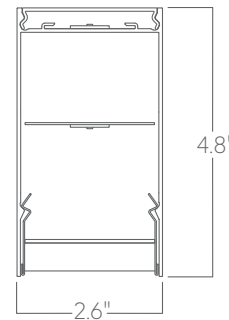


The LS Series of architectural luminaires offers a wide range of profiles and mounting options. Custom lengths and patterns are tailored to suit any modern space.

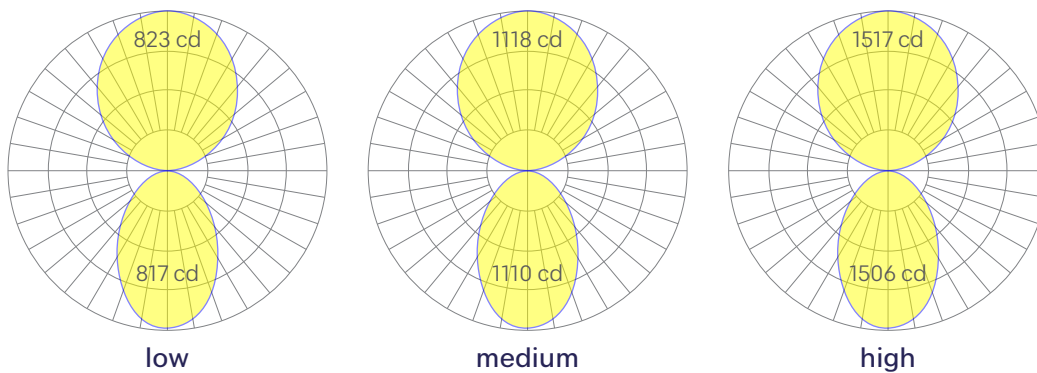
## Features

- Extruded recycled aluminum housing
- Aluminum core LED boards, specifiable optics
- Specifiable color temperature. CRI > 90, R9 > 50
- Custom lengths, welded patterns, and finishes available
- Integral specifiable dimmable drivers or PoE
- 5 Year, 50,000 hour warranty, damp location rated
- Compatible with all wood ceilings
- WELL Building Standard compatible [learn more](#)

## Dimensions



## Optics



Representative distribution and peak candela. For other options see order information or IES files [here](#).

# LS2 Louver indirect/direct

## Ordering Information

For each option group below specify one option. If you don't see your preferred option listed, contact us for [help](#).

1 Fixture ID	2 Length	3 Color Temperature	4 Output
<b>LS2 LVR UPDN</b>	<b>2</b> 2 ft nominal <b>4</b> 4 ft nominal <b>8</b> 8 ft nominal <b>X'-X"</b> Specify Length <small>Precision lengths may be specified to the nearest 1/8"</small>	<b>27</b> 2700K/90 CRI <b>30</b> 3000K/90 CRI <b>35</b> 3500K/90 CRI <b>40</b> 4000K/90 CRI <b>50</b> 5000K/90 CRI <b>WD</b> Warm Dim 2200K-3000K <small>Must use WD10 driver</small> <b>TW</b> Tunable White 2700K-6500K <small>Must use WD10 or PSQ driver</small> <b>RGBW30</b> RGB +white, 3000k <small>Remote DMX. High output unavailable.</small> <b>RGBW35</b> RGB +white, 3500k <small>Remote DMX. High output unavailable.</small> <b>RGBW40</b> RGB +white, 4000k <small>Remote DMX. High output unavailable.</small>	<b>Indirect</b> <b>LOW</b> Low output <b>MED</b> Medium output <b>HIGH</b> High output <b>CUST</b> Custom output <small>Specify Watts or lumens</small> <b>Direct</b> <b>LOW</b> Low output <b>MED</b> Medium output <b>HIGH</b> High output <b>CUST</b> Custom output <small>Specify Watts or lumens.</small>
5 Voltage	6 Driver	7 Finish	8 Mounting
<b>UNV</b> Universal (120/277V) <b>347V</b> 347V <small>Available for DB Driver only</small>	<b>DB</b> Standard 0-10V 1% <b>DB.1%</b> 0-10V 0.1% <b>ELV</b> Reverse Phase 1% (120V only) <small>For compatible dimmers see <a href="#">here</a>.</small> <b>TRI</b> Forward phase (120V only) <small>For compatible dimmers see <a href="#">here</a>.</small> <b>LDE</b> Lutron Digital EcoSystem <b>DALI</b> DALI-2 Driver <b>PoE</b> Power over ethernet. <b>TW10</b> Dual channel, 0-10V for tunable white. <b>WD10</b> 0-10V Warm Dim <b>PSQ</b> Lutron T-Series 2-channel 1% for tunable white <b>DMX</b> DMX512 <small>All DMX drivers set to default address 001 and provided in remote enclosers. Contact us for other addressing needs</small>	<b>Housing</b> <b>W</b> White <b>BLK</b> Black <b>SLV</b> Silver <b>CC</b> Custom Color <small>See options <a href="#">here</a></small> <b>Louver</b> <b>W</b> White <b>BLK</b> Black <b>SLV</b> Silver	<b>AC</b> Aircraft cable (50") <b>ACTB9</b> Aircraft cable, Tbar clip, 9/16" <b>ACTB15</b> Aircraft cable, Tbar clip, 15/16" <b>ACTBSG</b> Aircraft cable, Tbar clip, Slot Grid <b>AC3.5</b> 3.5" canopy + Jbox adaptor <small>adaptor must be mudded-in.</small> <b>ACCC</b> Aircraft cable to Conduit <small>Pipe Canopy</small> <b>PS-X</b> Pendant stem (12", 18", 24", 36", 48") <b>WM</b> Wall Mount
9 Optics	10 Sensors/Controls	11 Circuit	12 Options
<b>Indirect</b> <b>FL</b> Flat Diffuser <b>AVI-BAT</b> 120° Batwing <b>Direct</b> <b>FL</b> Flat Diffuser	<b>NA</b> None <b>ACM</b> Acuity nLight Module Only <b>CCS</b> Casambi Module <b>AWNR</b> Lutron Athena Wireless Node Module <b>OTHER</b> Consult Factory	<b>NA</b> None <b>DC</b> Dual Circuit (separate indirect/direct control) <small>May require additional power feeds.</small> <b>EMPCK</b> Emergency battery pack <small>May require additional power feeds.</small> <b>EMCKT</b> Emergency circuit <small>May require additional power feeds.</small> <b>DAYCKT</b> Daylight circuit <small>May require additional power feeds.</small>	<b>STD</b> White Canopy + White Cord <b>CAN-X</b> Canopy + color <small>See finish options <a href="#">here</a>.</small> <b>SJ-BLK</b> Black cord <b>SJ-WHT</b> White cord

## Performance

Output <sup>1</sup>	Indirect			Direct		
	Watts/ft	Lumens/ft	LPW	Watts/ft	Lumens/ft	LPW
Low	5	551	110	5	343	69
Medium	7	749	107	7	465	67*
High	10	1016	101	10	632	63

<sup>1</sup>Based on a typically configured 90 CRI, 3500K Luminaire using one driver.  
Custom outputs available. Please consult factory.

For 4000K multiply by 1.05; for 3000K, 0.9; for 2700K, 0.92

\*80 CRI equivalent 79 LPW

## Technical Information



click [here](#) or scan QR code

Wiring diagrams, PoE and sensor details

# LS2 Louver indirect/direct

## Drivers & Electrical

Integral drivers\* with 0-10V Dimming standard. Several other driver options available; see ordering information.

\*DMX drivers are provided in remote enclosures.

## Sensors & Controls

Sensors are installed on an aluminum plate adjacent to the luminaire lens<sup>1</sup>. Coronet remains agnostic in our approach to sensors and control systems; our fixtures are compatible with most systems offered.

<sup>1</sup>Not applicable to indirect only models. Consult factory.

## Emergency Back-Up

For fixtures three-feet or longer, a 4W integral emergency driver may be wired to 4ft sections. 7W, 10W, and 12W drivers are also available (not all integral; consult factory). Emergency circuits for use with building generators are also available.

## PoE (Power over Ethernet)

Compatible with virtually all PoE systems including Molex Coresync, Igor, Smartengine, Platformatics, and NuLED SPICEbox.

Consult factory for systems not listed. See [here](#) for more info.

## Finishes

All luminaires are finished in high quality polyester powder coating. Our standard color is white. Any RAL color may be specified.

## Weight

6lbs per foot

## Optics

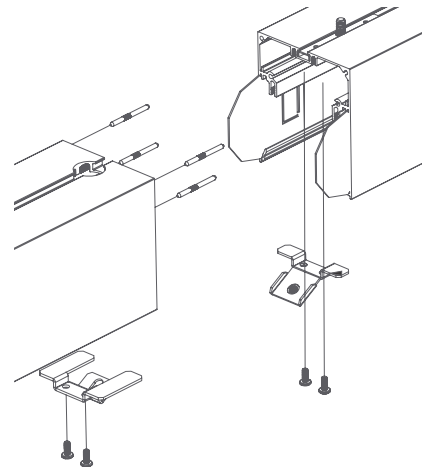
Extruded satin acrylic lenses provide excellent diffusion, high transmission, and no LED imaging with straight blade louver.

## Construction

Housings are extruded premium, recycled aluminum. Individual fixtures are available up to 12' long and may be specified as nominal or precision lengths. Precision lengths are supplied within 1/8" tolerance.

## Joined Runs

Runs of any length may be specified and are comprised of multiple, factory-engineered, joined sections. Individually specified luminaires are not field joinable.

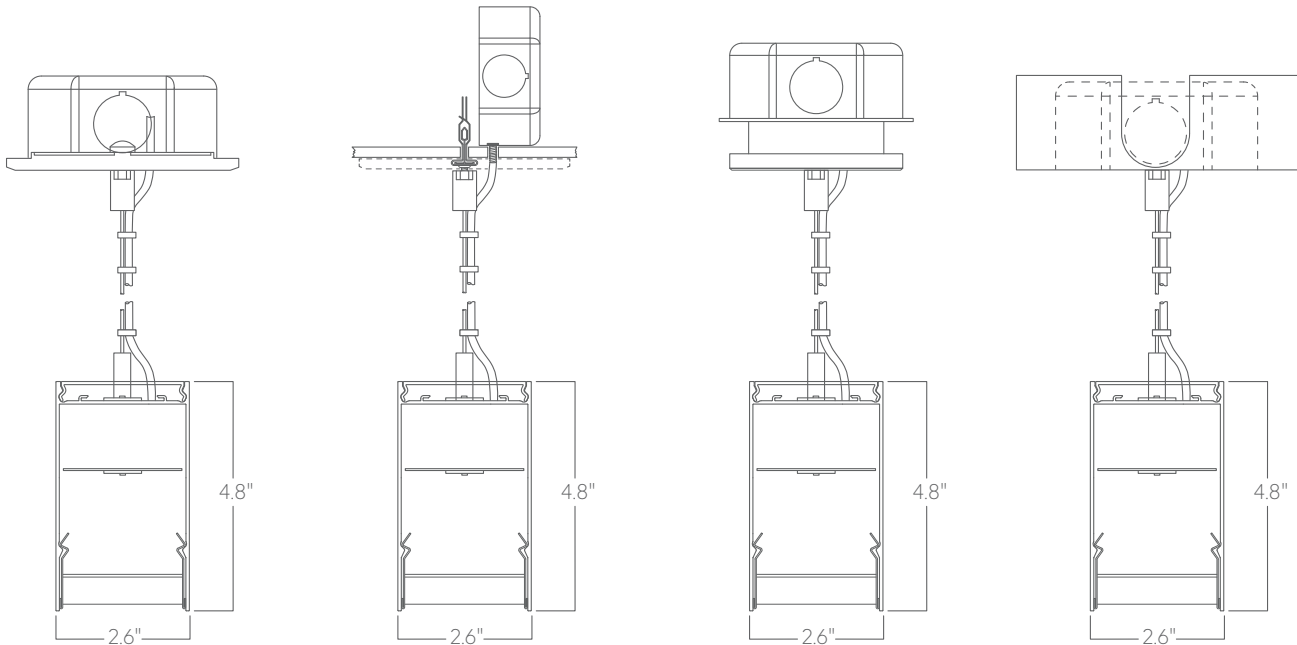


Representative joinery. For product specific details see installation guides or submittal drawings.

# LS2 Louver indirect/direct

## Mounting Options

Custom mounting types and ceiling transitions available; consult factory.

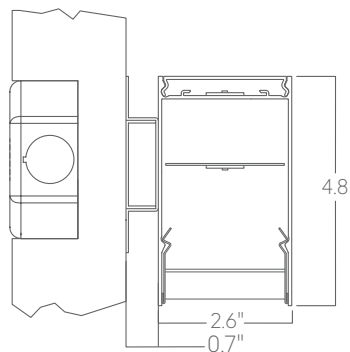


**Aircraft cable  
5" canopy**

**Aircraft cable  
5" canopy, T Bar clip**

**Aircraft cable  
3.5" canopy**

**Aircraft cable  
Conduit canopy  
with knockouts**



**Wall mount**

Please consult factory shop drawings for suspension points.

To prevent damage to fixtures, factory designated suspension points must not be field altered.

Do not attempt installation if you do not understand the installation instructions.