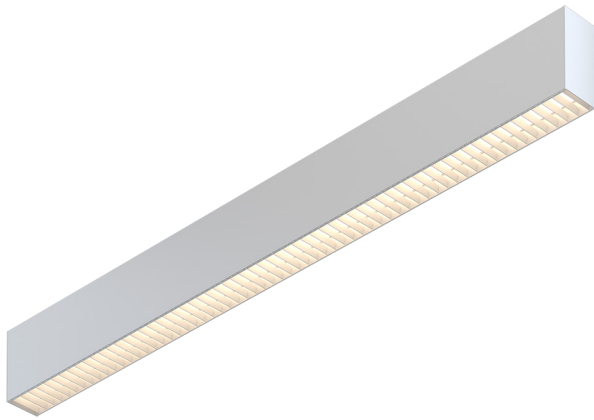


LS2 Louver direct

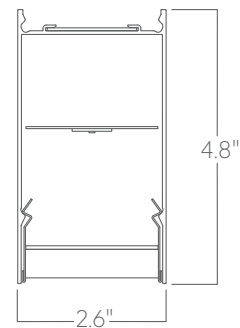


The LS Series of architectural luminaires offers a wide range of profiles and mounting options. Custom lengths and patterns are tailored to suit any modern space.

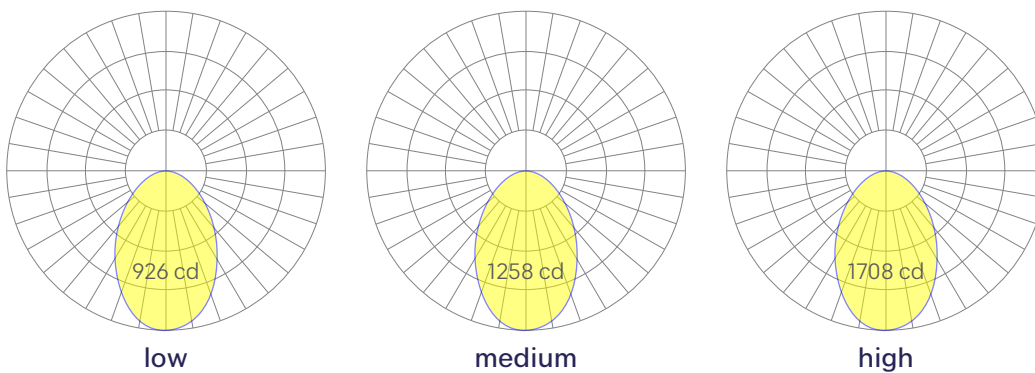
Features

- Extruded recycled aluminum housing
- Aluminum core LED boards, specifiable optics
- Specifiable color temperature. CRI > 90, R9 > 50
- Custom lengths, welded patterns, and finishes available
- Integral specifiable dimmable drivers or PoE
- 5 Year, 50,000 hour warranty, damp location rated
- Compatible with all wood ceilings
- WELL Building Standard compatible [learn more](#)

Dimensions



Optics



Representative distribution and peak candela. For other options see order information or IES files [here](#).

LS2 Louver direct

Ordering Information

For each option group below specify one option. If you don't see your preferred option listed, contact us for [help](#).

1	Fixture ID	2	Length	3	Color Temperature	4	Output
	LS2 LVR	2	2 ft	27	2700K/90 CRI	LOW	Low output
		4	4 ft	30	3000K/90 CRI	MED	Medium output
		8	8 ft	35	3500K/90 CRI	HIGH	High output
		X'-X"	Specify Length	40	4000K/90 CRI	CUST	Custom output Specify Watts or lumens
		PAT	Pattern (Consult Factory)	50	5000K/90 CRI		
				WD	Warm Dim 2200K-3000K Must use WD10 driver		
				TW	Tunable White 2700K-6500K Must use WD10 or PSQ driver		
				RGBW30	RGB +white, 3000k Remote DMX. High output unavailable.		
				RGBW35	RGB +white, 3500k Remote DMX. High output unavailable.		
				RGBW40	RGB +white, 4000k Remote DMX. High output unavailable.		
5	Voltage	6	Driver	7	Finish	8	Mounting
UNV	Universal (120/277V)	DB	Standard 0-10V 1%	Housing		AC	Aircraft cable (50")
347V	347V Available for DB Driver only	DB.1%	0-10V 0.1%	W	White	ACTB9	Aircraft cable, Tbar clip, 9/16"
		ELV	Reverse Phase 1% (120V only) For compatible dimmers see here .	BLK	Black	ACTB15	Aircraft cable, Tbar clip, 15/16"
		TRI	Forward phase (120V only) For compatible dimmers see here .	SLV	Silver	ACTBSG	Aircraft cable, Tbar clip, Slot Grid
		LDE	Lutron Digital EcoSystem	CC	Custom Color See options here	AC3.5	3.5" canopy + Jbox adaptor adaptor must be mudded-in.
		DALI	DALI-2 Driver	Louver		ACCC	Aircraft cable to Conduit Pipe Canopy
		PoE	Power over ethernet.	W	White	PS-X	Pendant stem (12", 18", 24", 36", 48")
		TW10	Dual channel, 0-10V for tunable white.	BLK	Black	SMHC	Surface Mount, Hard Ceiling
		WD10	0-10V Warm Dim	SLV	Silver	SMTB9	Surface Mount, Tbar Clip, 9/16"
		PSQ	Lutron T-Series 2-channel 1% for tunable white			SMTB15	Surface Mount, Tbar Clip, 15/16"
		DMX	DMX512 All DMX drivers set to default address 001 and provided in remote enclosers. Contact us for other addressing needs			SMTBSG	Surface Mount, Tbar Clip, Slot Grid
						WM	Wall Mount
9	Optics	10	Sensors/Controls	11	Circuit	12	Options
FL	Flat Diffuser	NA	None	NA	None	STD	White Canopy + White Cord
		ACM	Acuity nLight Module Only	EMPCK	Emergency battery pack May require additional power feeds.	CAN-X	Canopy + color See finish options here .
		CCS	Casambi Module	EMCKT	Emergency circuit May require additional power feeds.	SJ-BLK	Black cord
		AWNDR	Lutron Athena Wireless Node Module	DAYCKT	Daylight circuit May require additional power feeds.	SJ-WHT	White cord
		OTHER	Consult Factory				

Performance

Output ¹	Watts/ft	Lumens/ft	LPW
Low	5	389	78
Medium	7	529	76*
High	10	718	72

¹Based on a typically configured 90 CRI, 3500K luminaire using one driver.
Custom outputs available. Please consult factory.

For 4000K multiply by 1.05; for 3000K, 0.9%; for 2700K, 0.92.

*80 CRI equivalent 90 LPW

Technical Information



click [here](#) or scan QR code

Wiring diagrams, PoE and sensor details

LS2 Louver direct

Drivers & Electrical

Integral drivers* with 0-10V Dimming standard. Several other driver options available; see ordering information.

*DMX drivers are provided in remote enclosures.

Sensors & Controls

Sensors are installed on an aluminum plate adjacent to the luminaire lens¹. Coronet remains agnostic in our approach to sensors and control systems; our fixtures are compatible with most systems offered.

¹Not applicable to indirect only models. Consult factory.

Emergency Back-Up

For fixtures three-feet or longer, a 4W integral emergency driver may be wired to 4ft sections. 7W, 10W, and 12W drivers are also available (not all integral; consult factory). Emergency circuits for use with building generators are also available.

PoE (Power over Ethernet)

Compatible with virtually all PoE systems including Molex Coresync, Igor, Smartengine, Platformatics, and NuLED SPICEbox.

Consult factory for systems not listed. See [here](#) for more info.

Finishes

All luminaires are finished in high quality polyester powder coating. Our standard color is white. Any RAL color may be specified.

Weight

5 lbs per foot

Optics

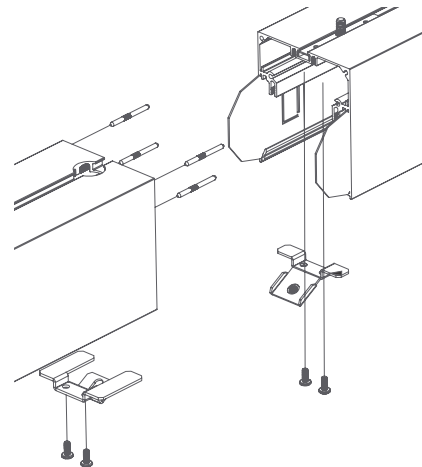
Extruded satin acrylic lenses provide excellent diffusion, high transmission, and no LED imaging with straight blade louver.

Construction

Housings are extruded premium, recycled aluminum. Individual fixtures are available up to 12' long and may be specified as nominal or precision lengths. Precision lengths are supplied within 1/8" tolerance.

Joined Runs

Runs of any length may be specified and are comprised of multiple, factory-engineered, joined sections. Individually specified luminaires are not field joinable.

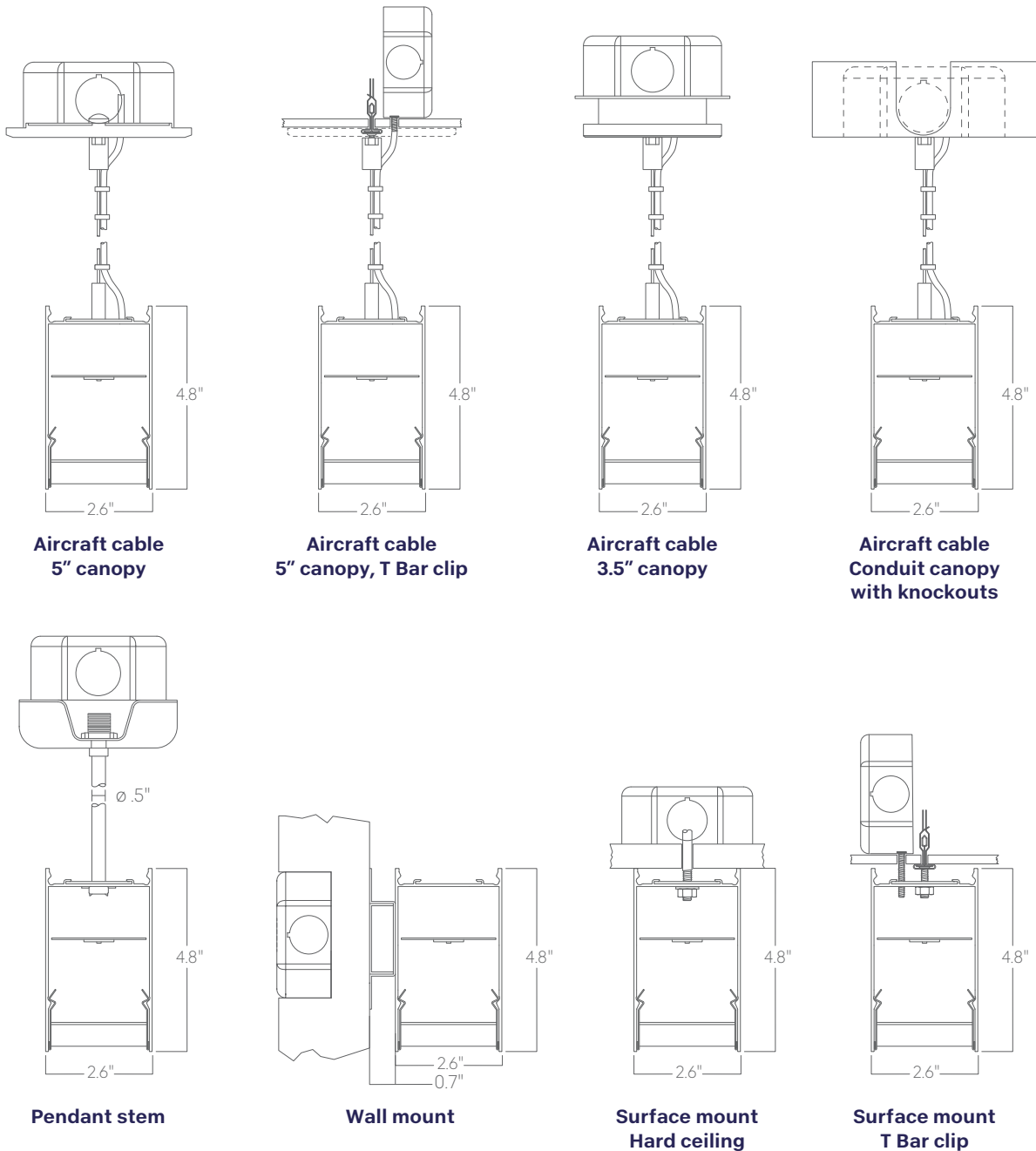


Representative joinery. For product specific details see installation guides or submittal drawings.

LS2 Louver direct

Mounting Options

Custom mounting types and ceiling transitions available; consult factory.



**Aircraft cable
5" canopy**

**Aircraft cable
5" canopy, T Bar clip**

**Aircraft cable
3.5" canopy**

**Aircraft cable
Conduit canopy
with knockouts**

Pendant stem

Wall mount

**Surface mount
Hard ceiling**

**Surface mount
T Bar clip**

Please consult factory shop drawings for suspension points.

To prevent damage to fixtures, factory designated suspension points must not be field altered.

Do not attempt installation if you do not understand the installation instructions.