

Easy Cove ceiling

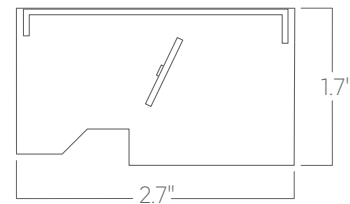


Our Easy Cove luminaires are designed for quick, simple installation in custom or pre-fabricated architectural coves. Wide asymmetric optic available for 45° asymmetric distribution.

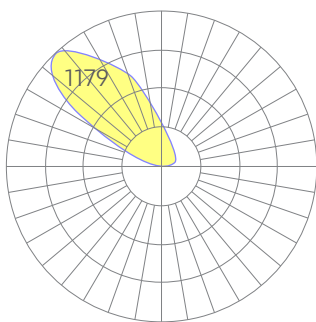
Features

- Available with wide asymmetric optic
- Aluminum core LED boards
- Quick Connectors for continuous butt mounting
- Specifiable color temperature. CRI > 90, R9 >50
- Custom patterns and finishes available
- Integral, specifiable dimmable drivers or PoE
- 5 Year, 50,000 hour warranty, damp location rated
- WELL Building Standard compatible [learn more](#)

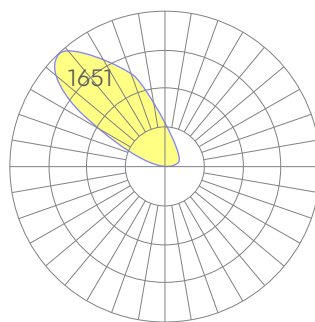
Dimensions



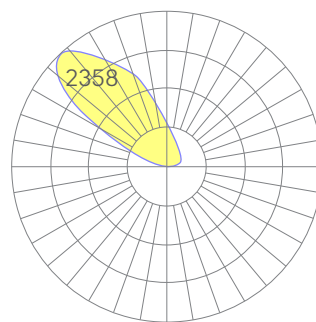
Optics



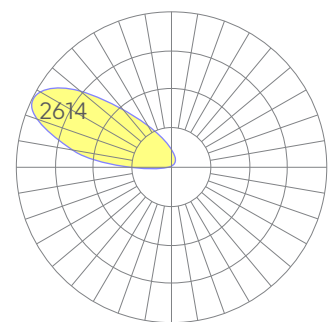
low



medium



high



avi wide asym

Representative distribution and peak candela. For other options see order information or IES files [here](#).

Easy Cove ceiling

Ordering Information



Example: EZ-C - 8 - 35 - LOW - UNV - DB - W - C - SD - CCS - DAYCKT - NA

Fixture ID	1	Length	2	Color Temperature	3	Output	4
EZ-C		2 2 ft 4 4 ft 8 8 ft X'-X" Specify Length PAT Pattern (Consult Factory)		27 2700K/90 CRI 30 3000K/90 CRI 35 3500K/90 CRI 40 4000K/90 CRI 50 5000K/90 CRI WD¹ Warm Dim 2200K-3000K TW² Tunable White 2700K-6500K RGBW30³ RGB +white, 3000k RGBW35³ RGB +white, 3500k RGBW40³ RGB +white, 4000k		LOW Low output MED Medium output HIGH High output CUST Custom output ¹	
		¹ Precision lengths may be specified to the nearest 1/8".		¹ Must use WD10 driver. ² Must use TW10 or PSQ driver. ³ Must use remote DMX driver. "High" output not available.		¹ consult factory	
Voltage	5	Driver	6	Finish	7	Mounting	8
UNV 347V¹ Universal (120/277V) 347V		DB Standard 0-10V 1% DB.1% 0-10V 0.1% ELV² Reverse Phase 1% (120V only) TRI² Forward phase (120V only) LDE1 Lutron Digital EcoSystem DALI DALI-2 Driver PoE Power over ethernet TW10 Dual channel, 0-10V for tunable white. WD10 0-10V Warm Dim PSQ Lutron T-Series 2-channel 1% for tunable white DMX¹ DMX512		W White BLK Black SLV Silver CC¹ Custom Color		NT Mud-in	
		¹ Set to default address 001. Contact us for other addressing needs. ² For compatible dimmers, click here .		¹ Custom Color. See finish options here .			
Optics	9	Sensors/Controls	10	Circuit	11	Options	12
SD Standard Diffuser AVI WAO Wide Asymmetric Optic		NA None ACM Acuity nLight Module Only CCS Casambi Module AWNRR Lutron Athena Wireless Node Module		NA None EMPCK Emergency Battery Pack EMCKT Emergency Circuit DAYCKT Daylight Circuit		NA None	
		Consult factory for other options.					

Performance

Output ¹	Watts/ft	Lumens/ft
Low	5	400
Medium	7	561
High	10	801

¹Based on a typically configured 90 CRI, 3500K luminaire using one driver.

Custom outputs available. Please consult factory.
For 4000K multiply by 1.02; for 3000K 0.98; for 2700K, 0.96, these multipliers also apply to Tunable White.
For Tunable White outputs, multiply by 1.05 for 5000K and by 1.1 for 6500K.

Technical Information



click [here](#) or scan QR code

Wiring diagrams, PoE and sensor details

Modification date: March,2023

Easy Cove ceiling

Drivers & Electrical

Integral drivers* with 0-10V Dimming standard. Several other driver options available; see ordering information.

*DMX drivers are provided in remote enclosures.

Controls

Control modules may be mounted within luminaires or remotely.

Emergency Back-Up

For fixtures three-feet or longer, a 4W integral emergency driver may be wired to 4ft sections. 7W, 10W, and 12W drivers are also available (not all integral; consult factory). Emergency circuits for use with building generators are also available.

PoE (Power over Ethernet)

Compatible with virtually all PoE systems including Molex Coresync, Igor, Smartengine, Platformatics, and NuLED SPICEbox. Consult Factory for systems not listed, See [here](#) for more info.

Finishes

All luminaires are finished in high quality polyester powder coating. Our standard color is white. Any RAL color may be specified.

Weight

5 lbs per foot

Patterns

Featuring illuminated welded corners and angles. Consult factory for custom designs.

Optics

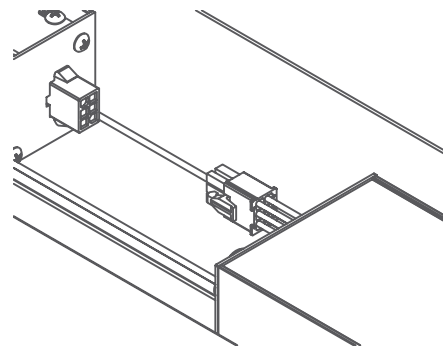
Extruded satin acrylic lenses provide excellent diffusion and high transmission.

Construction

Housings are extruded premium, recycled aluminum. Individual fixtures are available up to 12' long and may be specified as nominal or precision lengths. Precision lengths are supplied within 1/8" tolerance.

Continuous Runs

Using factory supplied quick connectors, runs up to fifty feet long may be daisy-chained to a single, line-voltage-fed, starter fixture.



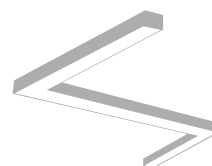
Square



V



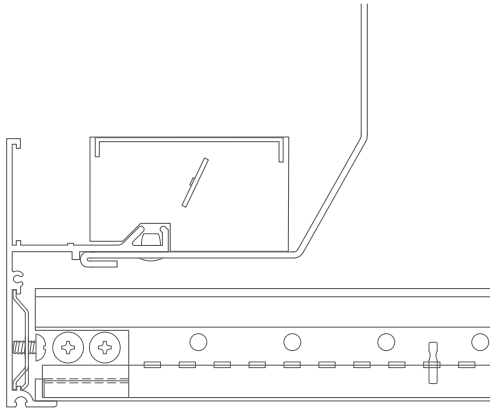
Custom



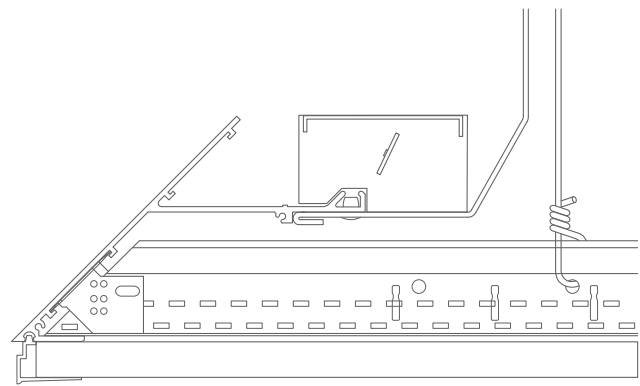
Easy Cove ceiling

Mounting Options

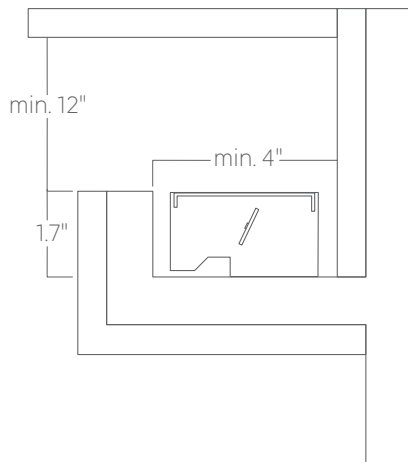
Custom mounting types and ceiling transitions available; consult factory.



Cove



Knife edge



Pre-built cove