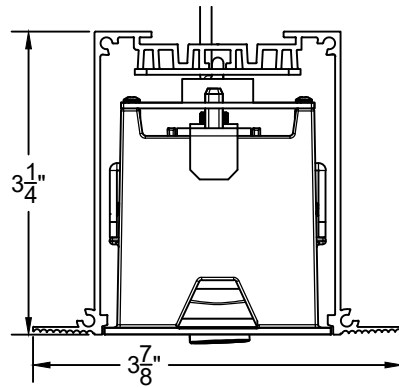




Risk of fire and electrical shock. In accordance with national local building and electrical codes, CORONET lighting fixtures must be installed by a qualified electrician. Disconnect power at electrical panel before servicing.

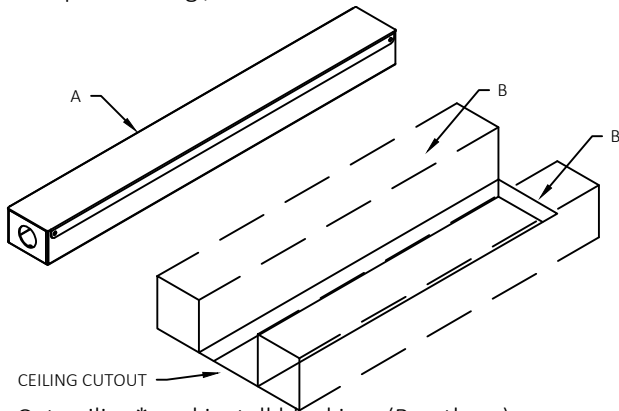
CROSS SECTION VIEW



PART LIST

- A-Remote Driver Box
- B-Blocking (By Others)
- C-Plenum Cable
- D-Fixture
- E-Mounting Hardware (By Others)

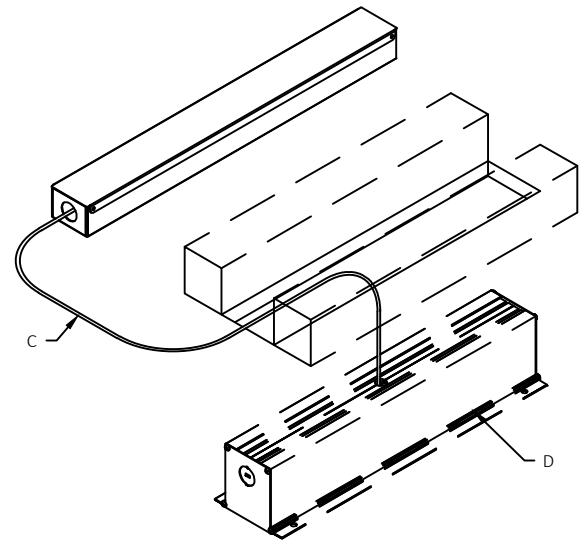
1: Prepare Ceiling / Install Remote Driver



Cut ceiling* and install blocking. (By others)

Install remote driver box within 30' of fixture location in an easily accessible area. Bring in power

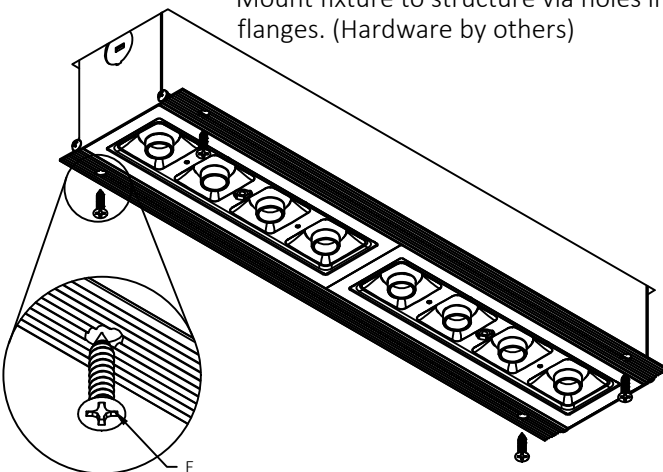
2: Splice plenum cable from fixture into remote driver box.



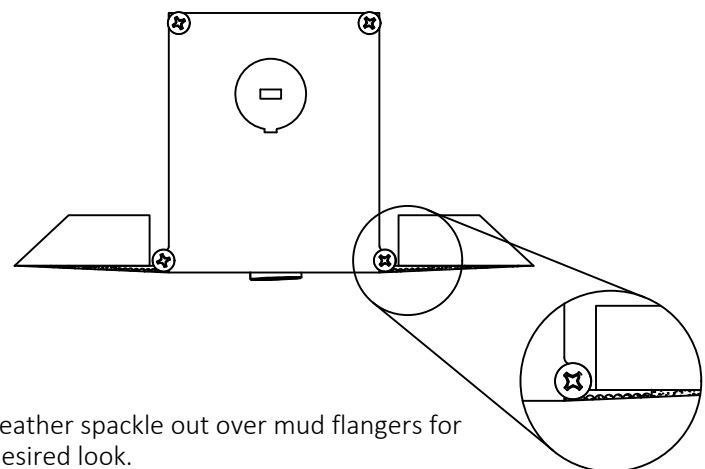
*PLEASE CONSULT FACTORY SHOP DRAWINGS TO DETERMINE CUTOUT SIZE.

3: Install Fixture

Mount fixture to structure via holes in mud flanges. (Hardware by others)



4: Finish Ceiling



Feather spackle out over mud flanges for desired look.