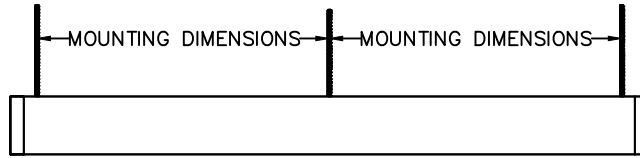


INSTALLATION GUIDE-SURFACE MOUNT



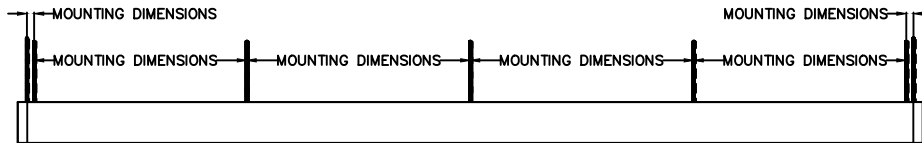
Risk of fire and electrical shock. In accordance with national local building and electrical codes, CORONET lighting fixtures must be installed by a qualified electrician. Disconnect power at electrical panel before servicing.

FRONT VIEW



PLEASE CONSULT FACTORY SHOP DRAWINGS FOR SUSPENSION POINTS

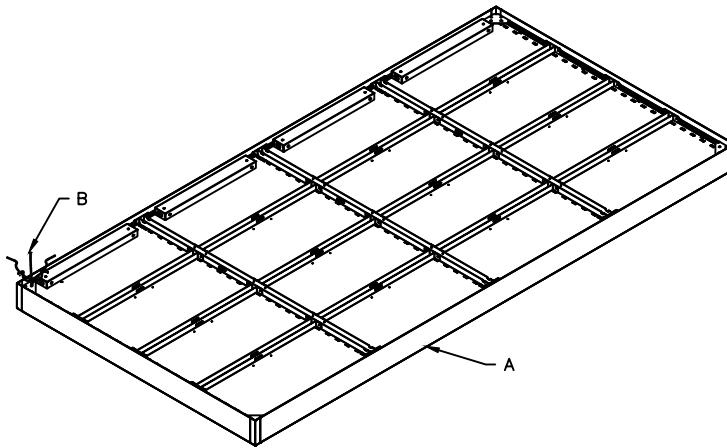
SIDE VIEW



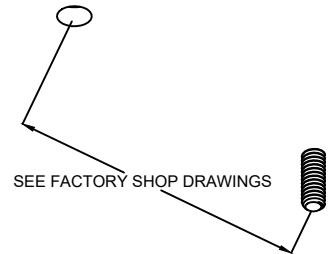
PLEASE CONSULT FACTORY SHOP DRAWINGS FOR SUSPENSION POINTS

PARTS LIST
A-FIXTURE
B-POWER CABLE

ISOMETRIC VIEW

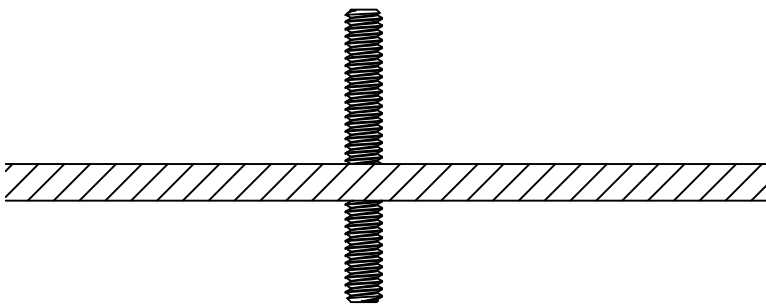


1



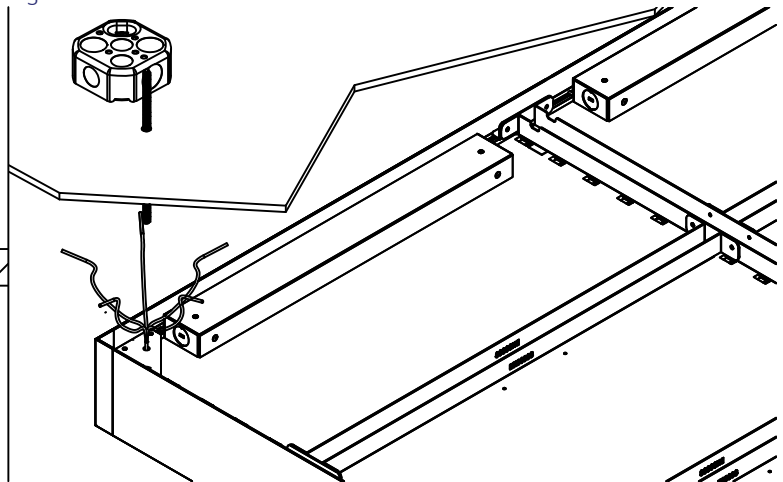
Refer to factory drawings to locate power feed hole and mounting points.

2



1/4-20 Threaded rod (not supplied) to be securely mounted to structure by EC to support fixture weight.

3



Before mounting the fixture to the ceiling, run the wires from the fixture to and through the junction box.

INSTALLATION GUIDE-SURFACE MOUNT

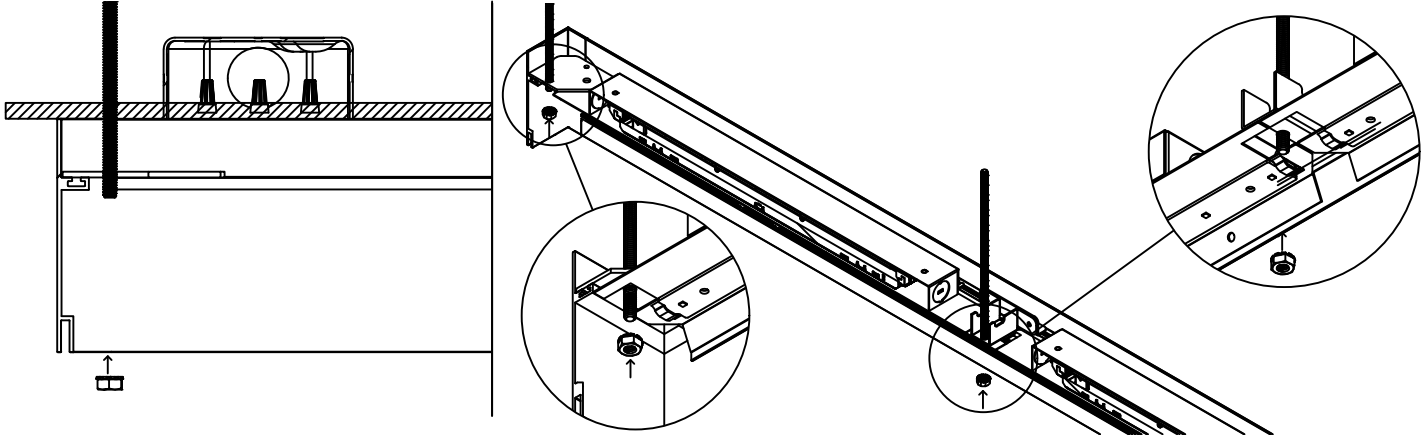


Risk of fire and electrical shock. In accordance with national local building and electrical codes, CORONET lighting fixtures must be installed by a qualified electrician. Disconnect power at electrical panel before servicing.

4

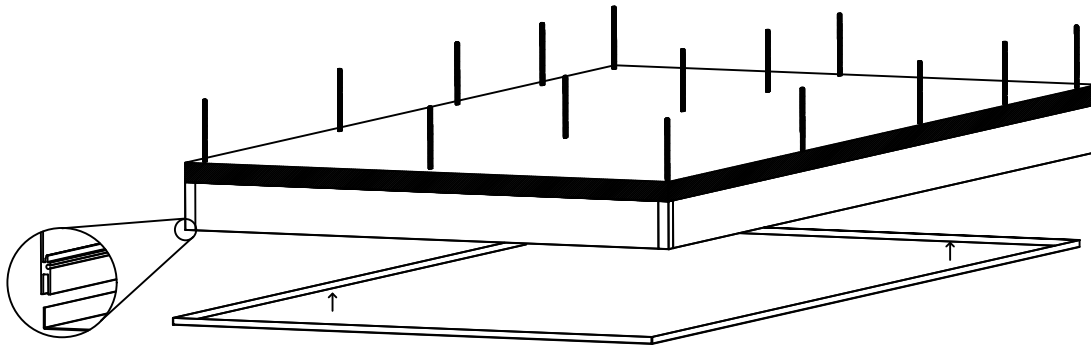
CROSS SECTION

ISOMETRIC CROSS SECTION



Raise the fixture towards the ceiling and secure the fixture to the ceiling using a threaded rod and nut through the holes in the brackets (hardware by others).

5



Insert fabric inside fixture channel.

GENERAL INSTALLATION CONSIDERATIONS - See submittal drawings for job specific data.

Operating Temperature.....-40°C to 50°C
 Operating Voltage.....110VAC-277VAC, 50Hz-60Hz
 Weight.....90lb (4'x8' Fixture)
 Dimensions.....See submittal drawings

- Installation by a certified electrician only.
- Read and understand the installation instructions before attempting to install or use the fixture.
- Only use fixtures with voltage for which it is rated. Do not exceed the specified voltage and current input.
- Do not use the fixture if the housing, lens, or power cable is damaged.
- Ensure that the main power supply is off before installing or wiring the fixture.
- Method of wire connection to be determined by local electrical codes and regulations.
- The light source contained in this luminaire shall only be replaced by the lighting manufacturer or his service agent or a similar qualified person.

Please contact our technical support team for assistance.