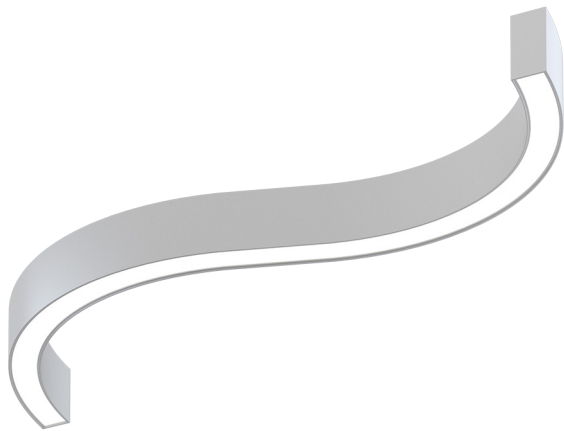


LS Curve

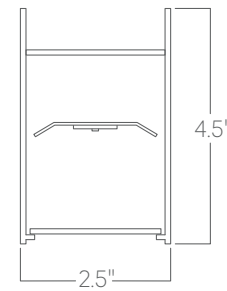


The LS Series of architectural luminaires offers a wide range of profiles and mounting options. Custom lengths and patterns are tailored to suit any modern space.

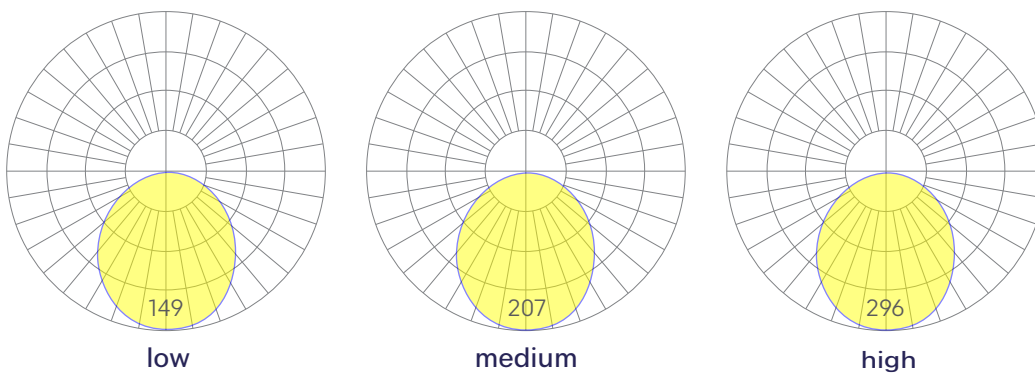
Features

- Standard or Custom radii and angles + optional straight sections
- Extruded recycled aluminum housing
- Configured patterns and finishes available
- Specifiable color temperature. CRI > 90, R9 >50
- 5 Year, 50,000 hour warranty, damp location rated
- WELL Building Standard compatible [learn more](#)

Dimensions



Optics



Representative distribution and peak candela. For other options see order information or IES files [here](#).

Ordering Information



Example: **LS CURVE - 90° - 30K - MED - UNV - DB - W - AC - FL - ACM - NA**

Fixture ID	1	Shapes	2	Color Temperature	3	Output	4
LS CURVE		90° 135° X° Custom Angles ¹		27 2700K/90 CRI 30 3000K/90 CRI 35 3500K/90 CRI 40 4000K/90 CRI 50 5000K/90 CRI TW ¹ Tunable White 2700K-6500K RGBW30 ² RGB +white, 3000k RGBW35 ² RGB +white, 3500k RGBW40 ² RGB +white, 4000k		LOW Low output MED Medium output HIGH High output CUST Custom output ¹	
		¹ Consult factory.		¹ Must use TW10 or PSQdriver. ² Must use remote DMX driver. "High" output not available.		¹ consult factory	
Voltage	5	Driver	6	Finish	7	Mounting	8
UNV Universal (120/277V) 347V ¹ 347V		DB Standard 0-10V 1% DB.1% 0-10V 0.1% ELV ² Reverse Phase 1% (120V only) TRI ² Forward phase (120V only) LDE1 Lutron Digital EcoSystem DALI DALI-2 Driver PoE Power over Ethernet. DMX ¹ DMX512		W White BLK Black SLV Silver CC ¹ Custom Color CWF ¹ Custom Wood Finish		AC Aircraft cable (50") AC3.5 3.5" canopy + jbox adaptor ¹ SM Surface Mount ACPC Aircraft cable to Conduit Pipe Canopy PS-X Pendant stem (12", 18", 24", 36", 48")	
		¹ Set to default address 001. Contact us for other addressing needs. ² For compatible dimmers, click here .		¹ Custom Color. See finish options here . White SJ cord and canopy provided; for other requests, see section 12 to specify.		¹ Adaptor must be mudded-in White stems and canopy provided unless otherwise specified in options (section 12).	
¹ Must use DB Driver							
Optics	9	Sensors and Controls	10	Circuit	11	Options	12
FL Flat Diffuser		NA None EIS Enlighted sensor WISM Wattstopper occupancy sensor WISD Wattstopper daylight sensor ACM Acuity nLight module only ACS Acuity nLight sensor CCS Casambi module AWNR Lutron Athena Wireless Node Module		NA None EMPCK Emergency Battery Pack EMCKT Emergency Circuit DAYCKT Daylight Circuit		STD White Canopy + White Cord CAN-X ¹ Canopy + color SJ-X ² SJ Cord + color	
		Consult factory for other options.				¹ See finish options here . ² SJ Cord only available in White or Black.	

Performance

Output ¹	Watts/ft	Lumens/ft
Low	5	355
Medium	7	475
High	10	641

Based on a typically configured 90 CRI, 3500K luminaire using one driver.

¹Custom outputs available. Please consult factory.
For 4000k, multiply by 1.02; for 3000k, 0.98; for 2700k, 0.96, these multipliers also apply to Tunable White.
For Tunable White outputs, multiply by 1.05 for 5000K and by 1.1 for 6500K.

Technical Information



click [here](#) or scan QR code

Wiring diagrams, PoE and sensor details

Modification date: March, 2023

Page 2 of 5

LS Curve

Drivers & Electrical

Integral drivers¹ with 0-10V Dimming standard. Several other driver options available; see ordering information.

¹All DMX drivers are provided in remote enclosures.

Sensors & Controls

Sensors are installed on an aluminum plate adjacent to the luminaire lens¹. Coronet remains agnostic in our approach to sensors and control systems; our fixtures are compatible with most systems offered.

¹Not applicable to indirect only models. Consult factory.

Emergency Back-Up

For fixtures three-feet or longer, a 4W integral emergency driver may be wired to 4ft sections. 7W, 10W, and 12W drivers are also available (not all integral; consult factory). Emergency circuits for use with building generators are also available.

PoE (Power over Ethernet)

Compatible with virtually all PoE systems including Molex Coresync, Igor, Smartengine, Platformatics, and NuLED SPICEbox. Consult Factory for systems not listed. See [here](#) for more info.

Finishes

All luminaires are finished in high quality polyester powder coating. Our standard color is white. Any RAL color may be specified.

Weight

3 lbs per foot

Optics

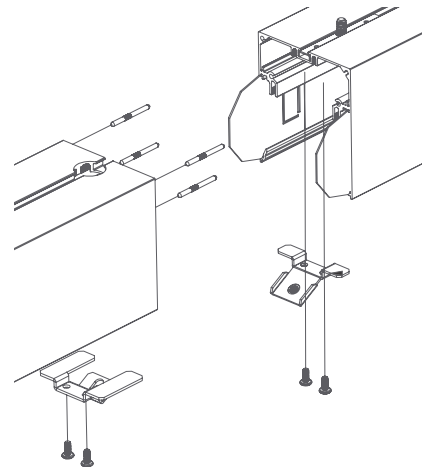
Extruded satin acrylic lenses provide excellent diffusion, high transmission, and no LED imaging.

Construction

Housings are extruded premium, recycled aluminum. Individual fixtures are available up to 12' long and may be specified as nominal or precision lengths. Precision lengths are supplied within 1/8" tolerance.

Joined Runs

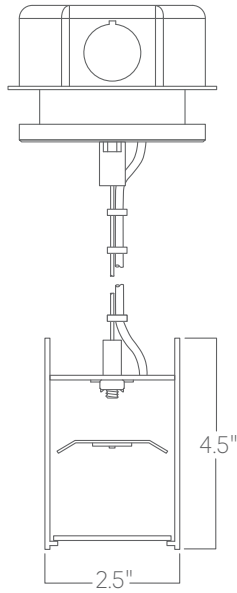
Runs of any length may be specified and are comprised of multiple, factory-engineered, joined sections. Individually specified luminaires are not field joinable.



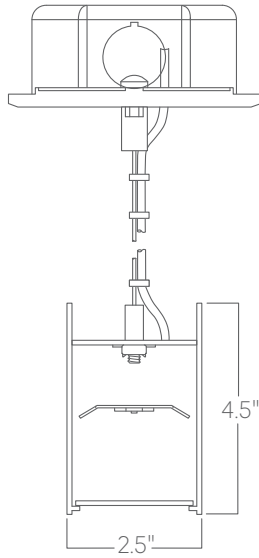
Representative joinery. For product specific details see installation guides or submittal drawings.

Mounting Options

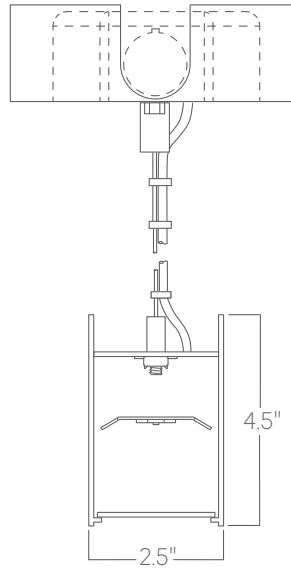
Custom mounting types and ceiling transitions available; consult factory.



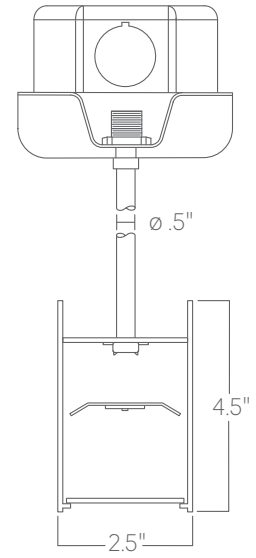
**Aircraft cable
3.5" canopy**



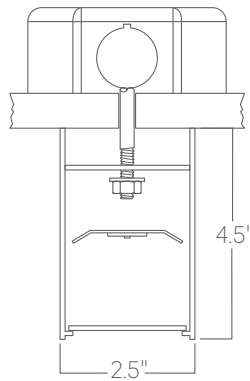
**Aircraft cable
5" canopy**



**Aircraft cable
Conduit canopy
with knockouts**



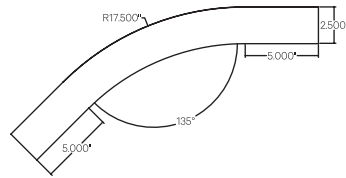
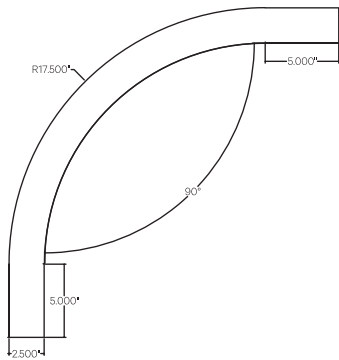
Pendant stem



Surface mount

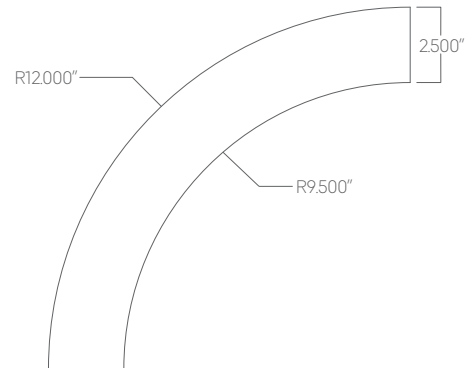
LS Curve

Dimensions



Smallest Curve Available

Please see below of the smallest curve fixture we can manufacture.



Example Patterns

