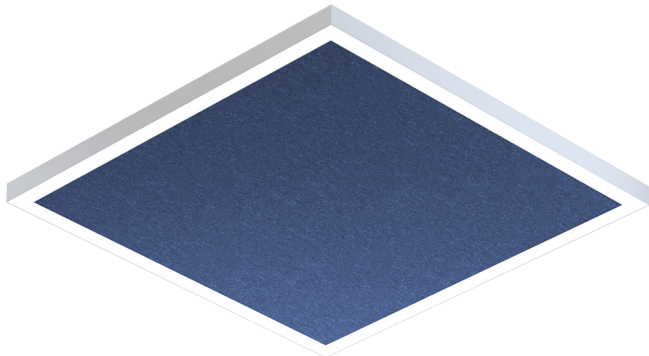


# Square STFU 3x3

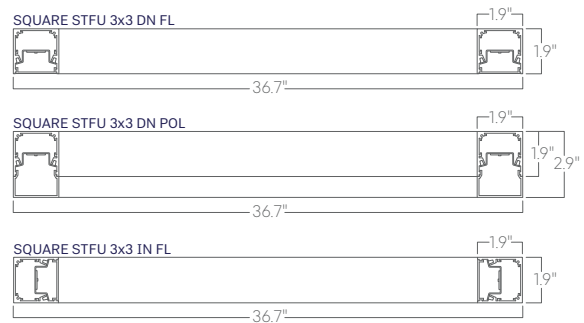


For noise reduction and architectural lighting in one, the STFU series offers a wide range of acoustic felt colors, shapes, profiles, and mounting options.

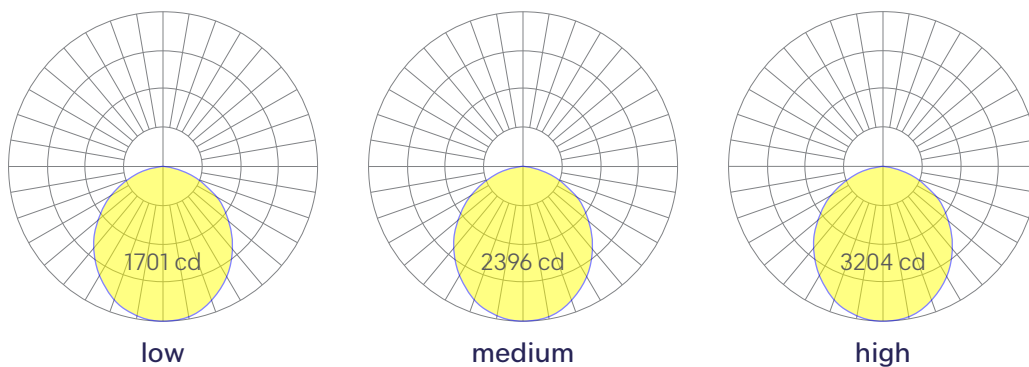
## Features

- 20 specifiable colors of recycled PET acoustic felt
- Noise Reduction Coefficient of .75 with a Class-A fire rating
- Fire Spread Index of 0 & Smoke Development Index of 200
- Power Over Wire system eliminates power cord
- Aluminum core LED boards, specifiable output
- Specifiable color temperature. CRI > 90, R9 > 50
- Specifiable, dimmable drivers or PoE
- 5 Year, 50,000 hour warranty, damp location rated
- WELL Building Standard compatible [learn more](#)

## Dimensions



## Optics



Representative distribution and peak candela. For other options see order information or IES files [here](#). IES files and output values are based on white STFU; colored STFU will affect output.

Modification date: January, 2024

Page 1 of 4

# Square STFU 3x3

## Ordering Information

For each option group below specify one option. If you don't see your preferred option listed, contact us for [help](#).

1 Fixture ID	2 Size	3 Color Temperature	4 Output
<b>SQUARE STFU</b>	<b>3x3</b>	<b>27</b> 2700K/90 CRI <b>30</b> 3000K/90 CRI <b>35</b> 3500K/90 CRI <b>40</b> 4000K/90 CRI <b>50</b> 5000K/90 CRI <b>WD</b> Warm Dim. 2200K-3000K Must use WD10 driver <b>TW</b> Tunable White. 2700K-6500K Must use WD10 or PSQ driver <b>RGBW30</b> RGB +white, 3000k Remote DMX. High output unavailable. <b>RGBW35</b> RGB +white, 3500k Remote DMX. High output unavailable. <b>RGBW40</b> RGB +white, 4000k Remote DMX. High output unavailable.	<b>LOW</b> Low output <b>MED</b> Medium output <b>HIGH</b> High output <b>CUST</b> Custom output Specify Watts or lumens
5 Voltage	6 Driver	7 Finish	8 Mounting
<b>UNV</b> Universal (120/277V) <b>347V</b> 347V Available for DB Driver only	<b>DB</b> Standard 0-10V 1% <b>DB.1%</b> 0-10V 0.1% <b>ELV</b> Reverse Phase 1% (120V only) For compatible dimmers, click <a href="#">here</a> . <b>TRI</b> Forward phase (120V only) For compatible dimmers, click <a href="#">here</a> . <b>LDE1</b> Lutron Digital EcoSystem <b>JA8</b> JA8 compliant 1% dimming <b>DALI</b> DALI-2 Driver <b>PoE</b> Power over ethernet. <b>TW10</b> 2 ch, 0-10V for tunable white. <b>WD10</b> 0-10V Warm Dim <b>PSQ</b> Lutron T-Series 2-channel 1% For tunable white <b>DMX</b> DMX512 All DMX drivers set to default address 001 and provided in remote enclosures. Contact us for other addressing needs.	<b>Housing</b> <b>W</b> White <b>BLK</b> Black <b>SLV</b> Silver <b>CC</b> Custom Color. See options <a href="#">here</a> <b>Felt</b> <b>W</b> White <b>BLK</b> Black <b>GRY</b> Grey <b>CC</b> Custom Color. See options <a href="#">here</a>	<b>ACP</b> Power over aircraft cable Single canopy at the center <b>ACP-IS</b> Power over aircraft cable Individual suspension points <b>AC</b> Aircraft Cable Suspended from a center canopy 50" steel cable provided. White canopies and power cord unless option specified in section 12. <b>AC-IS</b> Aircraft Cable Individual suspension points 50" steel cable provided. White canopies and power cord unless option specified in section 12. <b>PS-X</b> Pendant Stem (12", 18", 24", 36", 48") White stems, canopies and power cord unless option specified in section 12.
9 Optics	10 Sensors/Controls	11 Circuit	12 Options
<b>FL</b> Flush lens <b>POL</b> 1" Pop-out-lens	<b>NA</b> None <b>EIS</b> Enlighted sensor <b>WISM</b> Wattstopper occupancy <b>WISD</b> Wattstopper daylight <b>ACM</b> Acuity nLight® module only <b>ACS</b> Acuity nLight® <b>CCS</b> Casambi module <b>AWNDR</b> Lutron Athena Wireless Node Module <b>OTHER</b> Consult Factory	<b>NA</b> None <b>EMPCK</b> Emergency battery pack May require additional power feeds. <b>EMCKT</b> Emergency circuit May require additional power feeds. <b>DAYCKT</b> Daylight circuit May require additional power feeds.	<b>STD</b> White Canopy + White Cord <b>CAN-X</b> Canopy + color See finish options <a href="#">here</a> . <b>SJ-BLK</b> Black cord <b>SJ-WHT</b> White cord

## Performance

Output <sup>1</sup>	Watts	Lumens
Low	60	4600
Medium	87	6477
High	120	8665

<sup>1</sup>Based on a typically configured 90 CRI, 3500K luminaire using one driver. Custom outputs available. Please consult factory. For 4000K multiply by 1.05, for 3000K, 0.9%, for 2700K, 0.92.

## Technical Information



click [here](#) or scan QR code

Wiring diagrams, PoE and sensor details

# Square STFU 3x3

## Drivers & Electrical

Our Power Over Wire system delivers power to the luminaire via suspension cables, eliminating a separate power feed. Drivers are housed in the luminaire canopy or in factory supplied remote enclosures<sup>1</sup>. All drivers are dimmable.

<sup>1</sup>See order information for more details. For remote driver box sizes, click [here](#).

## Emergency Back-Up

Emergency, battery-powered drivers are available. Emergency circuits for use with building generators are also available.

## PoE (Power over Ethernet)

Compatible with virtually all PoE systems including Moxel Coresync, Igor, Smartengine, Platformics, and NuLED SPICEbox.

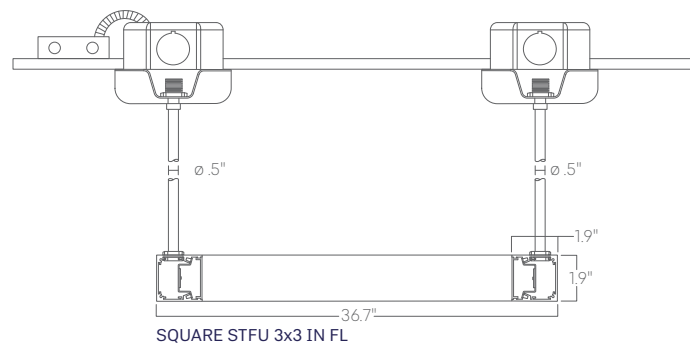
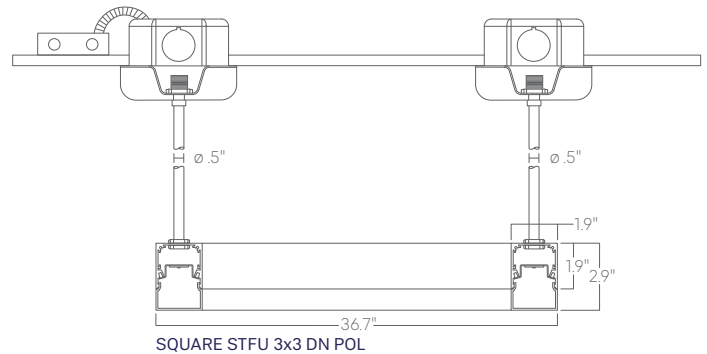
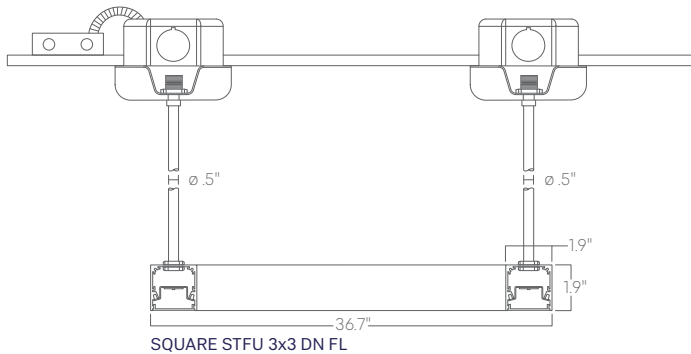
Consult factory for systems not listed. See [here](#) for more info.

## Weight

10 lbs

## Mounting Options

### Pendant stem



## Optics

Extruded satin acrylic lenses provide excellent diffusion, high transmission, and no LED imaging.

## Construction

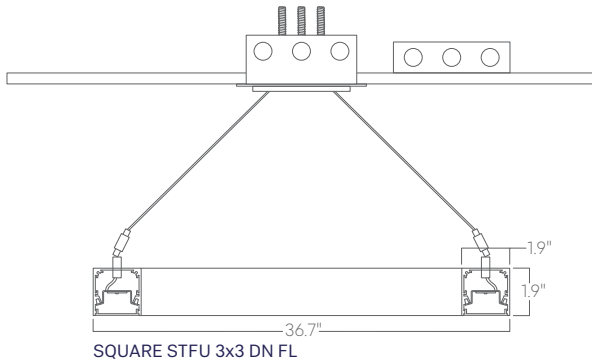
Extruded, recycled aluminum with recycled PET acoustic felt.

## Finishes

All luminaires are finished in high quality polyester powder coating. Our standard color is white. Any RAL color may be specified.

# Square STFU 3x3

## Power over aircraft cable



## Power over aircraft cable (individual susp. points)

