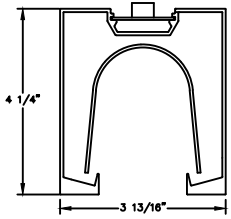


INSTALLATION GUIDE-PENDANT

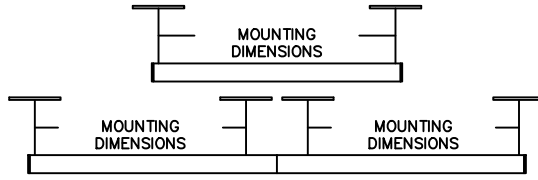


Risk of fire and electrical shock. In accordance with national local building and electrical codes, CORONET lighting fixtures must be installed by a qualified electrician. Disconnect power at electrical panel before servicing.

CROSS SECTION VIEW



SIDE VIEW

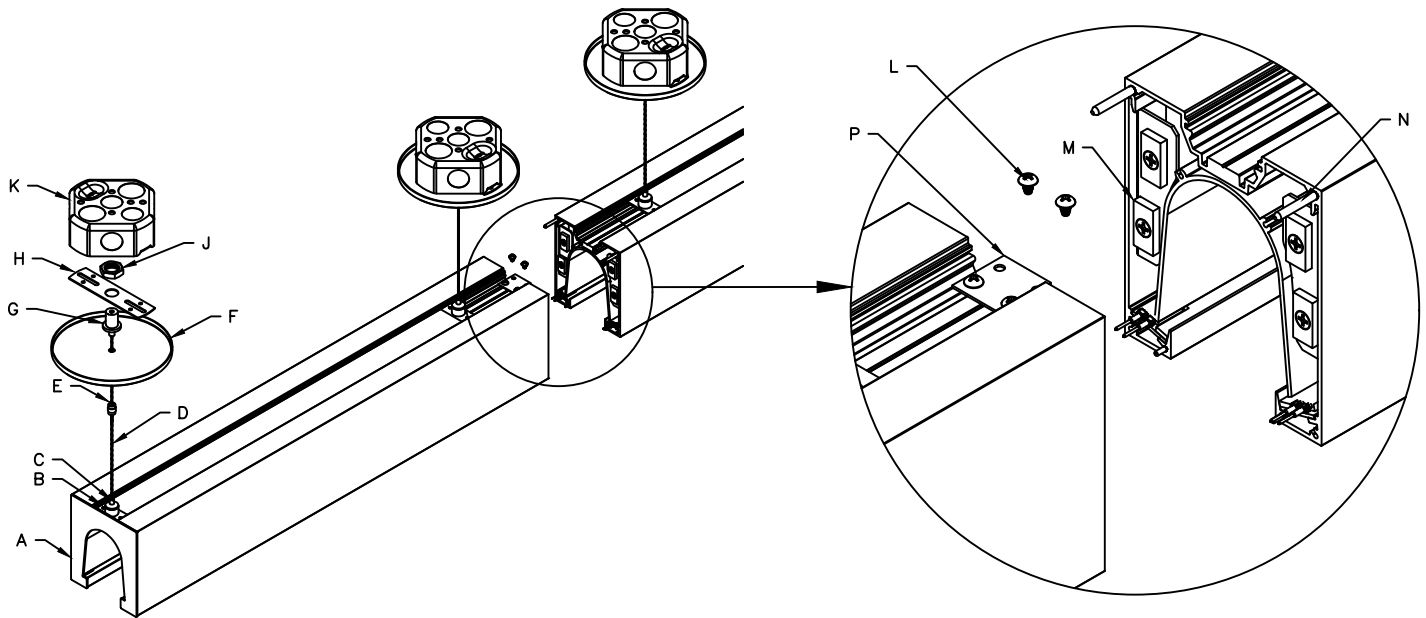


PLEASE CONSULT FACTORY SHOP DRAWINGS FOR SUSPENSION POINTS

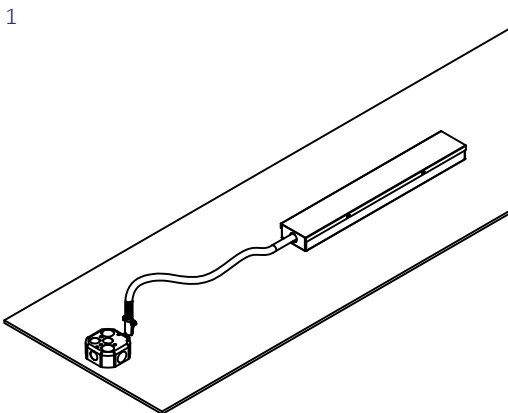
PART LIST

- A-End Plate
- B-Hanging Bracket
- C-Bottom Gripper
- D-ACP Cable
- E-Safety Nut
- F-Canopy
- G-Cross Bar Gripper
- H-Cross Bar
- J-1/4" IP Threaded Nut
- K-Junction box
- L-6-32 Pan Head Screw
- M-Magnet
- N-Aligner pin
- P-Safety Bracket

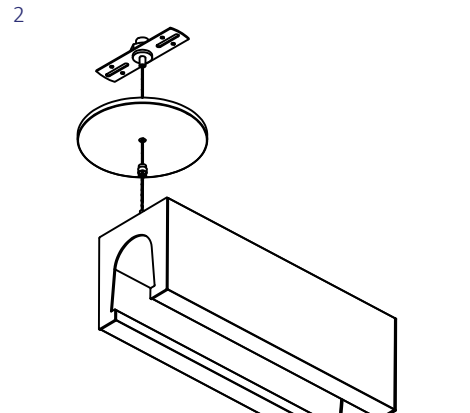
EXPLODED CONNECTION DETAIL



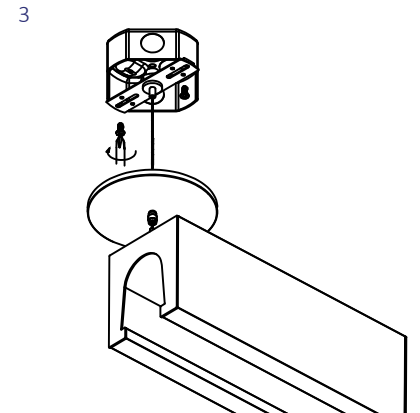
EXPLODED VIEWS ARE TO SHOW DETAIL ONLY, FIXTURES ARE SHIPPED PRE-ASSEMBLED.



1 With power disconnected, mount remote driver box (Location determined by qualified electrician)



2 Loosen the safety nut (E) to lower the canopy(F) and gain access to the cross bar(H).



3 Ensuring the junction box is properly mounted, secure the cross bar using two 8-32 screws (not supplied).

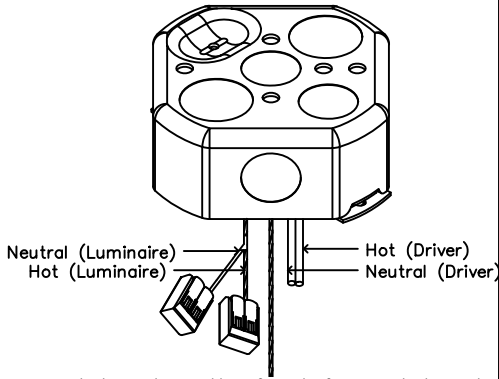
*NOTE: JUNCTION BOXES MUST BE SOLIDLY FIXED TO THE CEILING AND ATTACHED TO THE STRUCTURAL MEMBER INSIDE THE CEILING BEFORE PROCEEDING WITH INSTALLATION.

INSTALLATION GUIDE-PENDANT



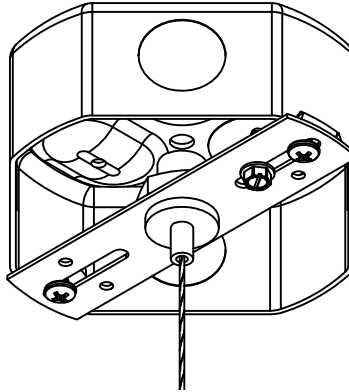
Risk of fire and electrical shock. In accordance with national local building and electrical codes, CORONET lighting fixtures must be installed by a qualified electrician. Disconnect power at electrical panel before servicing.

4



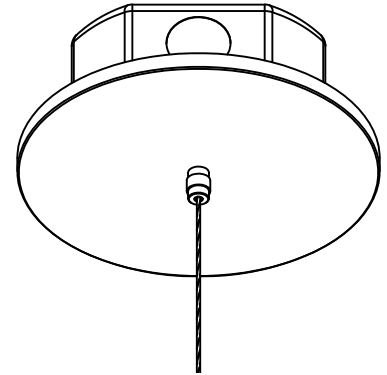
Connect the hot and neutral lines from the fixture to the hot and neutral lines from driver. Ensure exposed wire will not make contact with metal inside junction box. Use supplied wire quick connects.

5



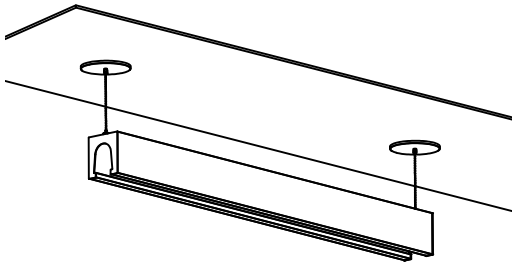
If applicable, connect ground wire using a ground screw. (Not supplied)

6



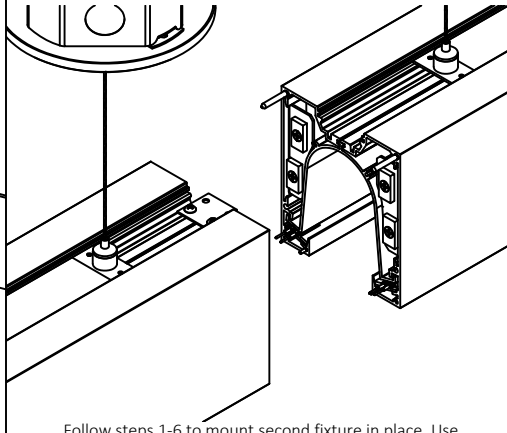
Lift the canopy and secure in place using the gripper safety nut (E).

7 Continuous Rows



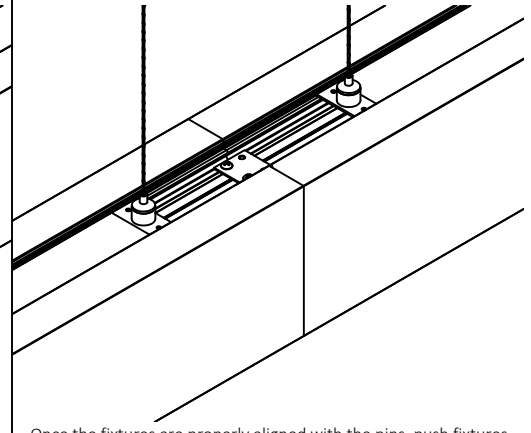
For continuous rows secure first fixture in place using steps 1-6.

8



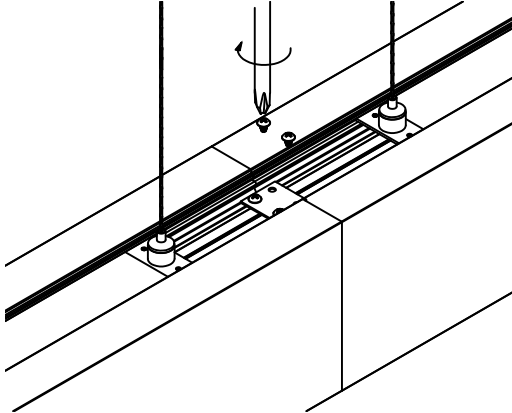
Follow steps 1-6 to mount second fixture in place. Use alignment pins (N) to position the two fixtures correctly.

9



Once the fixtures are properly aligned with the pins, push fixtures together until magnets (M) start pulling the fixtures together.

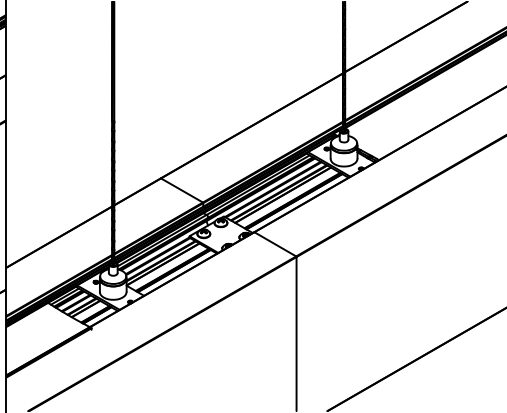
10



once fixtures are together, screw the safety bracket (P) using the 6-32 Pan Head Screw (L).

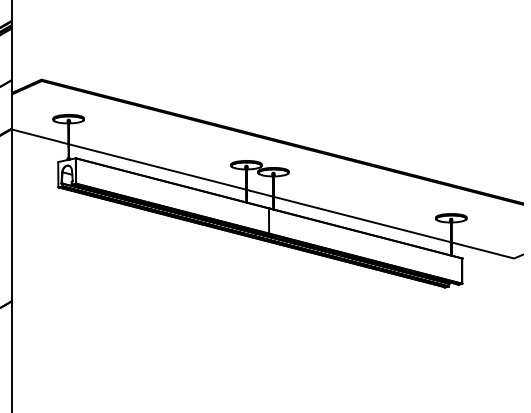
NOTE: JUNCTION BOXES MUST BE SOLIDLY FIXED TO THE CEILING AND ATTACHED TO THE STRUCTURAL MEMBER INSIDE THE CEILING BEFORE PROCEEDING WITH INSTALLATION.

11



Repeat this process until entire fixture run is installed. Fixture must be hung level or light leaks may occur.

12



as a last step, turn on fixture.



Risk of fire and electrical shock. In accordance with national local building and electrical codes, CORONET lighting fixtures must be installed by a qualified electrician. Disconnect power at electrical panel before servicing.

GENERAL INSTALLATION CONSIDERATIONS - See submittal drawings for job specific data.

Operating Temperature.....-40°C to 50°C
Operating Voltage.....110VAC-277VAC, 50Hz-60Hz
Weight.....lb/ft
Dimensions.....See submittal drawings

- Installation by a certified electrician only.
- Read and understand the installation instructions before attempting to install or use the fixture.
- Only use fixtures with voltage for which it is rated. Do not exceed the specified voltage and current input.
- Do not use the fixture if the housing, lens, or power cable is damaged.
- Ensure that the main power supply is off before installing or wiring the fixture.
- Method of wire connection to be determined by local electrical codes and regulations.
- The external flexible cable of this luminaire cannot be field replaced; if the cord is damaged, contact Coronet.
- The light source contained in this luminaire shall only be replaced by the lighting manufacturer or his service agent or a similar qualified person.

Please contact our technical support team for assistance.

NOTE: JUNCTION BOXES MUST BE SOLIDLY FIXED TO THE CEILING AND ATTACHED TO THE STRUCTURAL MEMBER INSIDE THE CEILING BEFORE PROCEEDING WITH INSTALLATION.