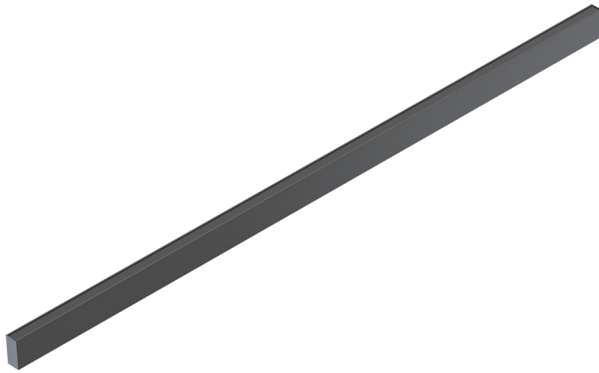


Rush Black Optic indirect/direct

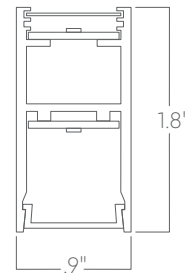


The Black Optic Series of architectural luminaires seamlessly blends into dark surroundings. Custom lengths and patterns are tailored to suit any modern space.

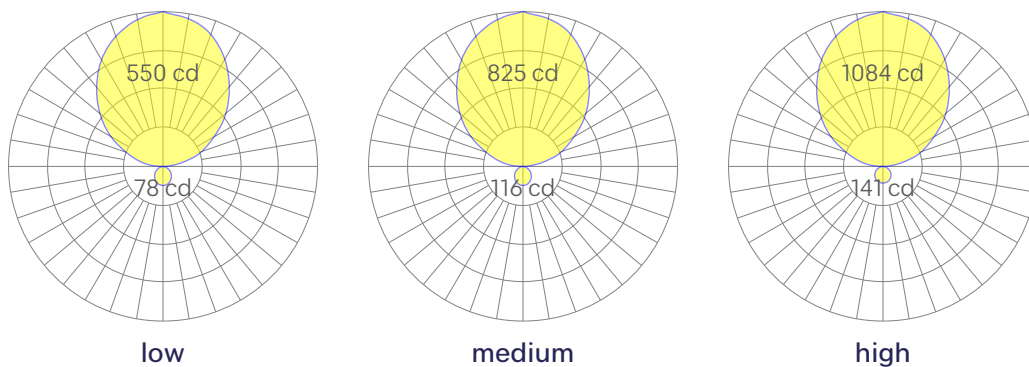
Features

- Extruded recycled aluminum housing
- Aluminum core LED boards, specifiable output
- Specifiable color temperature. CRI > 90, R9 > 50
- Custom lengths, welded patterns, and finishes available
- Integral specifiable dimmable drivers or PoE
- 5 Year, 50,000 hour warranty, damp location rated
- Compatible with all wood ceilings
- WELL Building Standard compatible [learn more](#)

Dimensions



Optics



Representative distribution and peak candela. For other options see order information or IES files [here](#).

Rush Black Optic indirect/direct

Ordering Information

For each option group below specify one option. If you don't see your preferred option listed, contact us for [help](#).

1 Fixture ID	2 Length	3 Color Temperature	4 Output
RUSH BKO UPDN	2 2 ft 4 4 ft 8 8 ft X'-X" Specify Length PAT Pattern (Consult Factory)	27 2700K/90 CRI 30 3000K/90 CRI 35 3500K/90 CRI 40 4000K/90 CRI	Indirect LOW Low output MED Medium output HIGH High output CUST Custom output Specify Watts or lumens Direct LOW Low output MED Medium output HIGH High output CUST Custom output Specify Watts or lumens.
5 Voltage	6 Driver	7 Finish	8 Mounting
UNV Universal (120/277V) 347V 347V Available for DB Driver only	DB Standard 0-10V 1% DB.1% 0-10V 0.1% ELV Reverse Phase 1% (120V only) For compatible dimmers, click here . TRI Forward phase (120V only) For compatible dimmers, click here . LDE Lutron Digital EcoSystem DALI DALI-2 Driver PoE Power over Ethernet. DMX DMX512 All DMX drivers set to default address 001 and provided in remote enclosures. Contact us for other addressing needs.	Housing W White BLK Black SLV Silver CC Custom Color See finish options here . CWF Custom Wood Finish See finish options here . Decorative Pendant Stem BRS Brass SLV Silver W White BLK Black	ACP Power over Aircraft Cable 18" tall housing AC Aircraft Cable 12" tall housing, 50" steel cable provided. White canopies and power cord AC3.5 3.5" canopy + Jbox adaptor 12" tall housing, adaptor mudded in. White canopies and power cord ACCC Aircraft cable to Conduit Pipe Canopy Not available with ACP. WM Wall Mount 18" tall housing PS-X Pendant Stem 18" tall housing (12", 18", 24", 36", 48" stems) White stems, canopies and power cord DPS Decorative Pendant Stem 18" tall housing, (6.5" tall stem) Only available with power over aircraft cable
All drivers provided in remote enclosures			
9 Optics	10 Sensors/Controls	11 Circuit	12 Options
9a - Indirect SD Standard Diffuser 9b - Direct BKO Black Optic Lens	NA None EIS Enlighted sensor WISM Wattstopper occupancy WISD Wattstopper daylight ACM Acuity nLight® module only ACS Acuity nLight® CCS Casambi module AWNR Lutron Athena Wireless Node Module OTHER Consult Factory	NA None DC Dual Circuit (separate indirect/direct control) May require additional power feeds. EMPCK Emergency battery pack May require additional power feeds. EMCKT Emergency circuit May require additional power feeds	For Aircraft Cable (AC) fixtures, STD White Canopy + White Cord CAN-X Canopy + color See finish options here SJ-BLK Black Cord SJ-WHT White Cord For Power Over Wire (ACP) fixtures, STD White Canopy CAN-X Canopy + color See finish options here
All options remote			

Performance

Output ¹	Indirect		Direct	
	Watts/ft	Lumens/ft	Watts/ft	Lumens/ft
Low	4	340	4	53
Medium	5	510	5	79
High	7	670	7	100

¹Based on a typically configured 90 CRI, 3500K luminaire using one driver.
Custom outputs available. Please consult factory.
For 4000K multiply by 1.05; for 3000K, 0.9%; for 2700K, 0.92.

Technical Information



click [here](#) or scan QR code

Wiring diagrams, PoE and sensor details

Rush Black Optic indirect/direct

Drivers & Electrical

Remote, dimmable drivers are supplied in enclosures.
For remote driver box sizes, click [here](#).

Sensors & Controls

Sensors are installed remotely or in the canopy of the fixture if suspended from the ceiling. Coronet remains agnostic in our approach to sensors and control systems; our fixtures are compatible with most systems offered.

Emergency Back-Up

Emergency circuits for use with building generators available.

PoE (Power over Ethernet)

Compatible with virtually all PoE systems including Moxel Coresync, Igor, Smartengine, Platformatics, and NuLED SPICEbox.

Consult factory for systems not listed. See [here](#) for more info.

Finishes

All luminaires are finished in high quality polyester powder coating. Our standard color is white. Any RAL color may be specified.

Weight

1 lb per foot

Optics

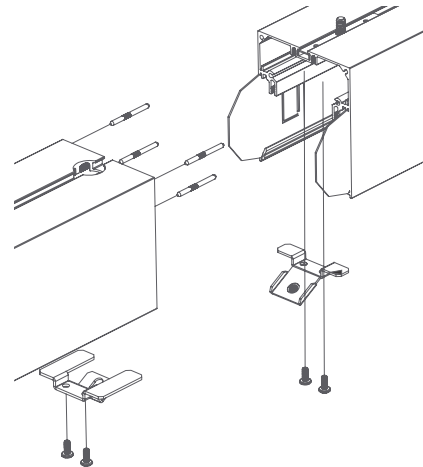
Room facing lens is black when unilluminated, seamlessly blending into dark environments. Uplight is available for some models.

Construction

Housings are extruded premium, recycled aluminum. Individual fixtures are available up to 12' long and may be specified as nominal or precision lengths. Precision lengths are supplied within 1/8" tolerance.

Joined Runs

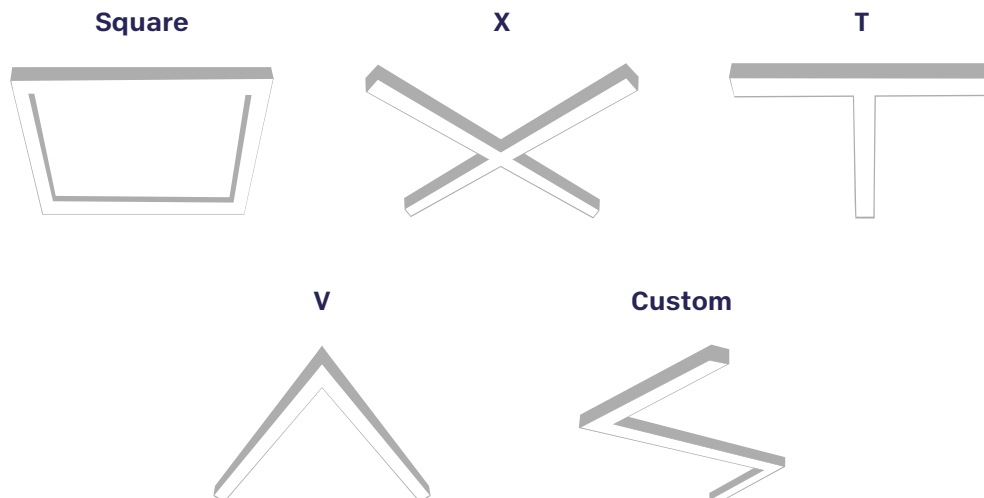
Runs of any length may be specified and are comprised of multiple, factory-engineered, joined sections. Individually specified luminaires are not field joinable.



Representative joinery. For product specific details see installation guides or submittal drawings.

Patterns

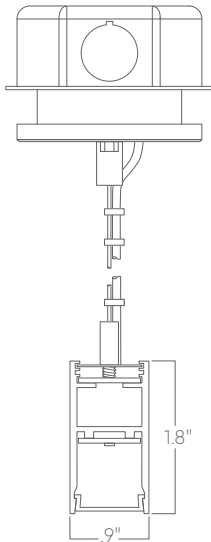
Featuring illuminated welded corners and angles. Consult factory for custom designs and elevations.



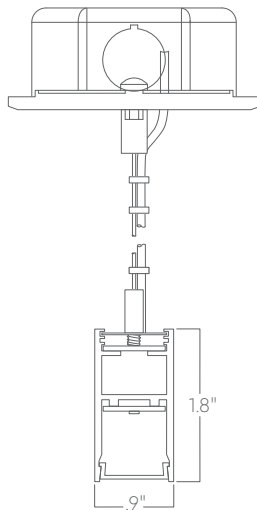
Rush Black Optic indirect/direct

Mounting Options

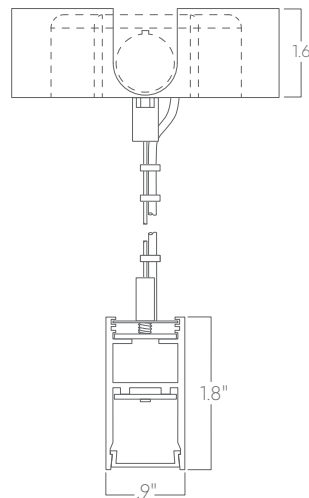
Custom mounting types and ceiling transitions available; consult factory.



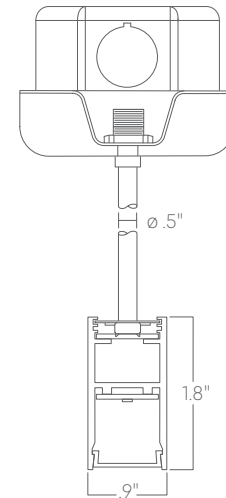
**Aircraft cable
3.5" canopy**



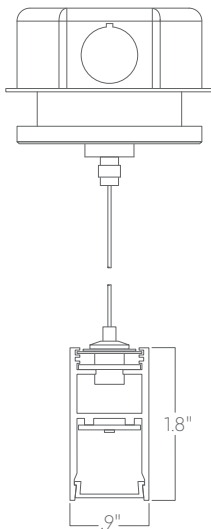
**Aircraft cable
5" canopy**



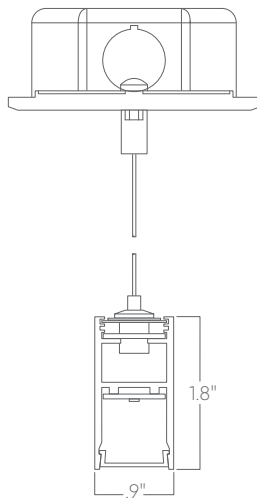
**Aircraft cable
Conduit canopy
with knockouts**



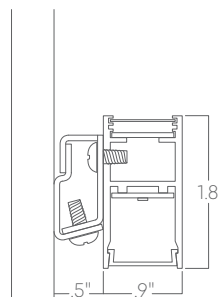
Pendant stem



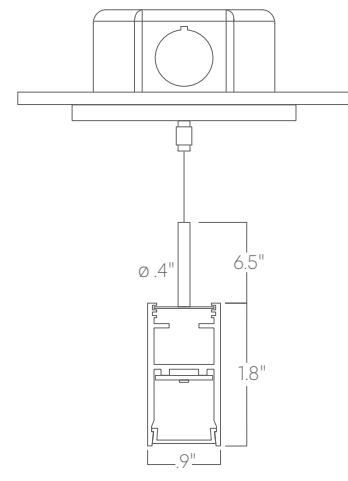
**Power over aircraft cable
3.5" canopy**



**Power over aircraft cable
5" canopy**



Wall mount



Decorative Pendant Stem

Please consult factory shop drawings for suspension points.

To prevent damage to fixtures, factory designated suspension points must not be field altered.

Do not attempt installation if you do not understand the installation instructions.