

# Flawless-4 wall grazer

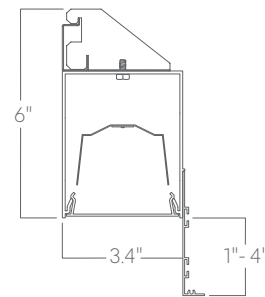


Our Perimeter Glow luminaires regress into ceilings at the edges of spaces, providing subtle, even, vertical illumination. Custom lengths and patterns are tailored to suit any modern space.

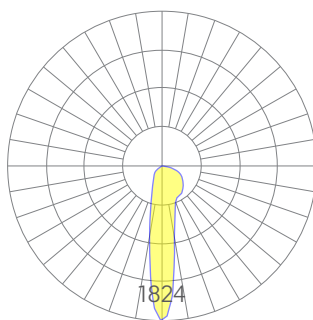
## Features

- 15° beam for exceptional wall grazing
- Extruded, recycled, premium aluminum housing
- Optional, field-cutable ends
- Aluminum core LED boards, specifiable output
- Specifiable color temperature. CRI > 90, R9 >50
- Specifiable dimmable drivers or PoE
- Custom lengths and finishes available
- 5 Year, 50,000 hour warranty, damp location rated
- WELL Building Standard compatible [learn more](#)

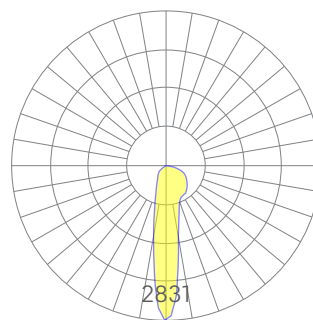
## Dimensions



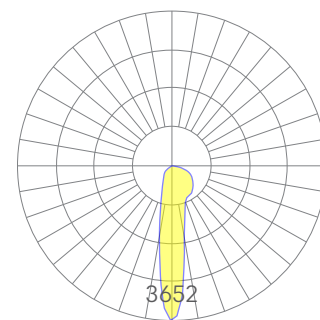
## Optics



low



medium



high

Representative distribution and peak candela. For other options see order information or IES files [here](#).

# Flawless-4 wall grazer

## Ordering Information



Example: **FLAWLESS-4 - 8 - 35 - MED - UNV - DB - W - NT - 1" RG - CCS - DAYCKT - NA**

<b>Fixture ID</b> <input type="text" value="1"/>	<b>Length</b> <input type="text" value="2"/>	<b>Color Temperature</b> <input type="text" value="3"/>	<b>Output</b> <input type="text" value="4"/>
<b>FLAWLESS-4</b>	<b>2</b> 2 ft <b>4</b> 4 ft <b>8</b> 8 ft <b>X"-X"</b> Specify Length <b>PAT</b> Pattern (Consult Factory)  <small>*Precision lengths may be specified to the nearest 1/8".</small>	<b>27</b> 2700K/90 CRI <b>30</b> 3000K/90 CRI <b>35</b> 3500K/90 CRI <b>40</b> 4000K/90 CRI <b>50</b> 5000K/90 CRI  <b>WD</b> <sup>1</sup> Warm Dim 2200K-3000K <b>TW</b> <sup>2</sup> Tunable White 2700K-6500K  <small>*Must use WD10 driver.  <sup>2</sup>Must use TW10 or PSQdriver.</small>	<b>LOW</b> Low output <b>MED</b> Medium output <b>HIGH</b> High output <b>CUST</b> Custom output <sup>1</sup>  <small><sup>1</sup>consult factory</small>
<b>Voltage</b> <input type="text" value="5"/>	<b>Driver</b> <input type="text" value="6"/>	<b>Finish</b> <input type="text" value="7"/>	<b>Mounting</b> <input type="text" value="8"/>
<b>UNV</b> Universal (120/277V) <b>347V</b> 347V	<b>DB</b> Standard 0-10V 1% <b>DB.1%</b> 0-10V 0.1% <b>ELV</b> <sup>2</sup> Reverse Phase 1% (120V only) <b>TRI</b> <sup>2</sup> Forward phase (120V only) <b>LDE1</b> Lutron Digital EcoSystem <b>DALI</b> DALI-2 Driver <b>PoE</b> Power over ethernet. <b>TW10</b> Dual channel, 0-10V for tunable white.  <b>WD10</b> 0-10V Warm Dim <b>PSQ</b> Lutron T-Series 2-channel 1% for tunable white <b>DMX</b> <sup>1</sup> DMX512  <small><sup>1</sup>Set to default address 001. Contact us for other addressing needs.  <sup>2</sup>For compatible dimmers, click <a href="#">here</a>.</small>	<b>W</b> White <b>BLK</b> Black <b>SLV</b> Silver <b>CC</b> <sup>1</sup> Custom Color <b>CFW</b> <sup>1</sup> Custom Wood Finish  <small><sup>1</sup>Custom Color. See finish options <a href="#">here</a>.          White SJ cord and canopy provided; for other requests, see section 12 to specify.</small>	<b>T</b> 9/16" Tee Grid <b>T15</b> 15/16" Tee Grid <b>F</b> Flange <b>NT</b> Mud-in Flange
<b>Optics</b> <input type="text" value="9"/>	<b>Sensors/Controls</b> <input type="text" value="10"/>	<b>Circuit</b> <input type="text" value="11"/>	<b>Options</b> <input type="text" value="12"/>
<b>1" RG</b> 1 inch regress <b>2" RG</b> 2 inch regress <b>3" RG</b> 3 inch regress <b>4" RG</b> 4 inch regress	<b>NA</b> None <b>ACM</b> Acuity nLight Module Only <b>CCS</b> Casambi Module <b>AWNRR</b> Lutron Athena Wireless Node Module  <small>Consult factory for other options.</small>	<b>NA</b> None <b>EMPCK</b> Emergency Battery Pack <b>EMCKT</b> Emergency Circuit <b>DAYCKT</b> Daylight Circuit	<b>NA</b> None <b>FC</b> <sup>1</sup> Field cuttable end <b>WH6</b> 6ft whips preinstalled <b>CP</b> Chicago Plenum <b>WTW</b> <sup>2</sup> Wall to wall end cap  <small><sup>1</sup>See page 5 for details  <sup>2</sup>See page 6 for details</small>

## Performance

Output <sup>1</sup>	Watts/ft	Lumens/ft
Low	5	465
Medium	7	655
High	10	876

<sup>1</sup>Based on 2" regress, 90 CRI, 3500K luminaire using one driver.

Custom outputs available. Please consult factory.  
 For 4000K multiply by 1.05; for 3000K 0.96; for 2700K, 0.92

## Technical Information



click [here](#) or scan QR code

Wiring diagrams, PoE and sensor details

Modification date: December 2022

# Flawless-4 wall grazer

## Drivers & Electrical

Integral drivers\* with 0-10V Dimming standard. Several other driver options available; see ordering information.

\*DMX drivers are provided in remote enclosures.

## Sensors & Controls

Sensors are installed on an aluminum plate adjacent to the luminaire lens<sup>1</sup>. Coronet remains agnostic in our approach to sensors and control systems; our fixtures are compatible with most systems offered.

<sup>1</sup>Not applicable to indirect only models. Consult factory.

## Emergency Back-Up

For fixtures three-feet or longer, a 4W integral emergency driver may be wired to 4ft sections. 7W, 10W, and 12W drivers are also available (not all integral; consult factory). Emergency circuits for use with building generators are also available.

## PoE (Power over Ethernet)

Compatible with virtually all PoE systems including Moxex Coresync, Igor, Smartengine, Platformatics, and NuLED SPICEbox. Consult Factory for systems not listed, See [here](#) for more info.

## Finishes

All luminaires are finished in high quality polyester powder coating. Our standard color is white. Any RAL color may be specified.

## Weight

3 lbs per foot

## Patterns

Featuring illuminated welded corners and angles. Consult factory for custom designs and elevations.

## Optics

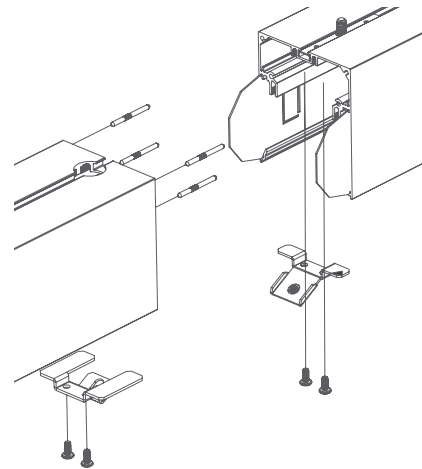
Extruded satin acrylic lenses provide excellent diffusion, high transmission, and no LED imaging.

## Construction

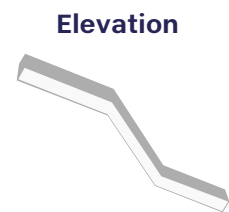
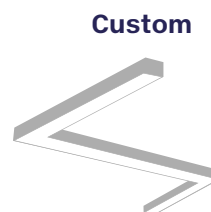
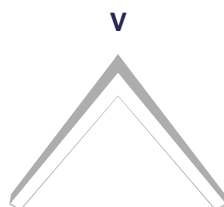
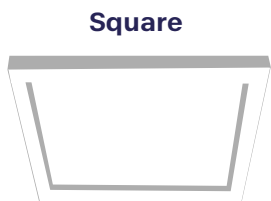
Housings are extruded premium, recycled aluminum. Individual fixtures are available up to 12' long and may be specified as nominal or precision lengths. Precision lengths are supplied within 1/8" tolerance.

## Joined Runs

Runs of any length may be specified and are comprised of multiple, factory-engineered, joined sections. Individually specified luminaires are not field joinable.



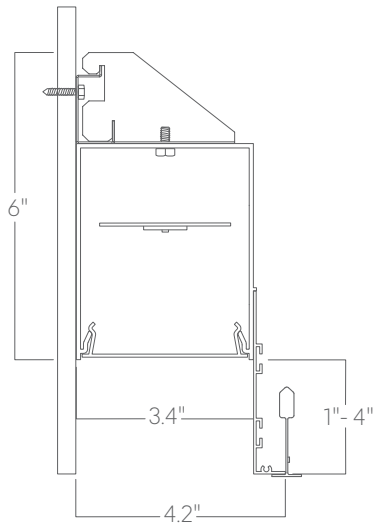
Representative joinery. For product specific details see installation guides or submittal drawings.



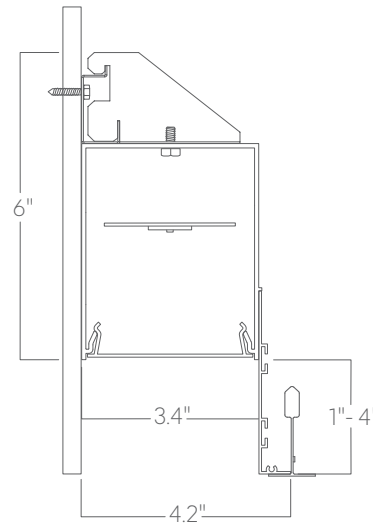
# Flawless-4 wall grazer

## Mounting Options

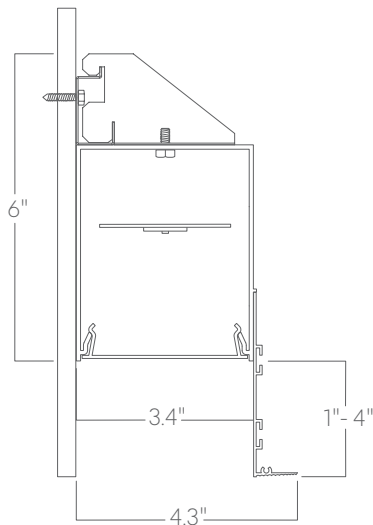
Custom mounting types and ceiling transitions available; consult factory.



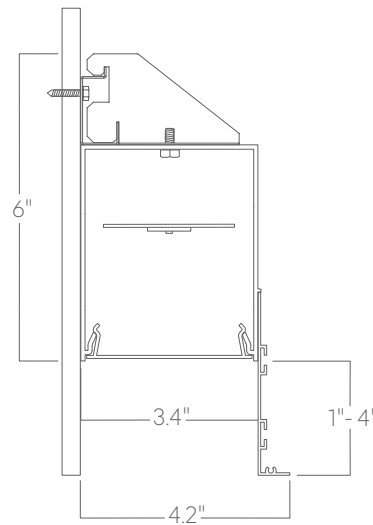
**T**  
9/16" tee grid



**T15**  
15/16" tee grid



**NT**  
mud-in flange

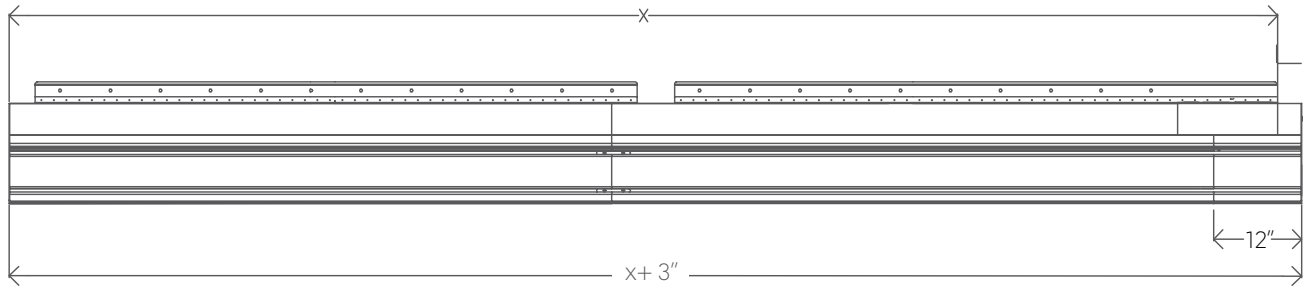


**F**  
flange

# Flawless-4 wall grazer

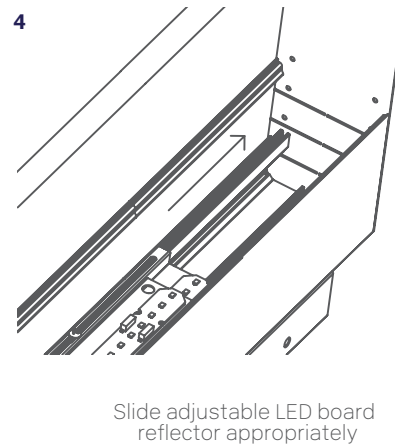
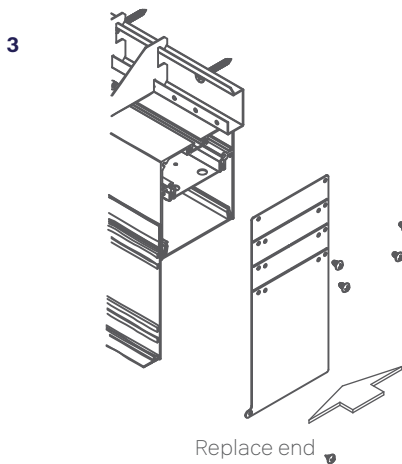
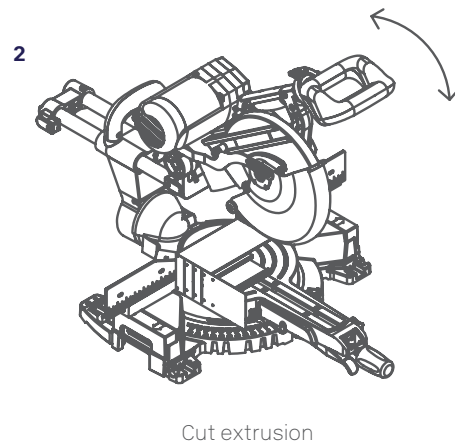
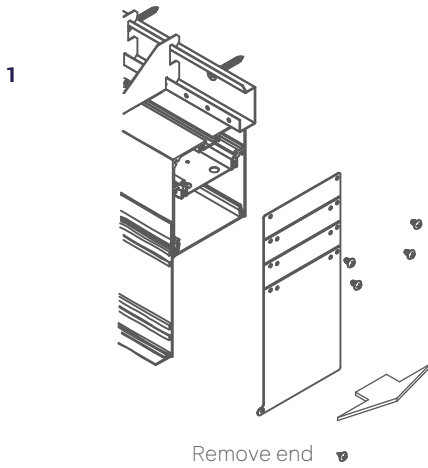
## Optional field cuttable end (FC)

Field cuttable up to 3" inches for flexibility. See example below.



X = Fixture size ordered by client  
X + 3" = Fixture size built and supplied by Coronet

Simple installation instructions below; For complete installation guide see website or consult factory.



Modification date: December 2022

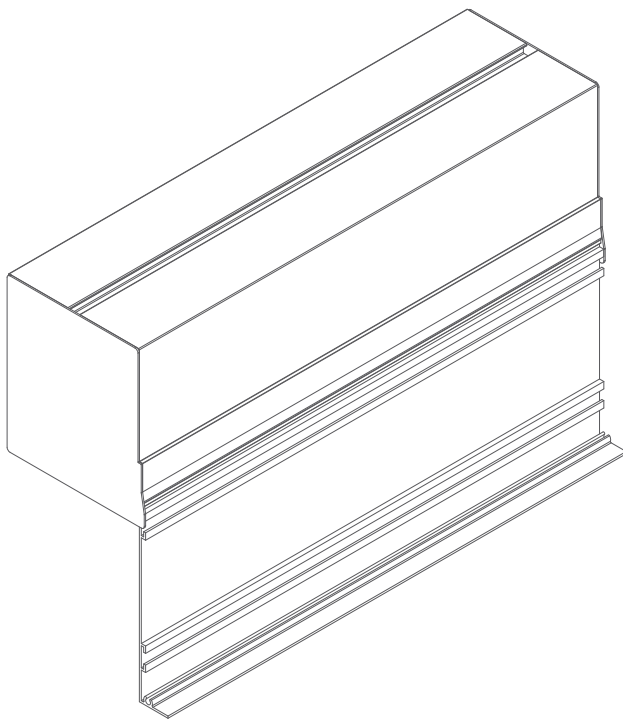
Page 5 of 6

# Flawless-4 wall grazer

## Optional Wall to wall end cap (WTW)

Optional end cap that ends at the lens and does not go the full drop of the fixture. See difference below compared to the normal end.

**Wall to wall end cap**



**Standard end cap**

