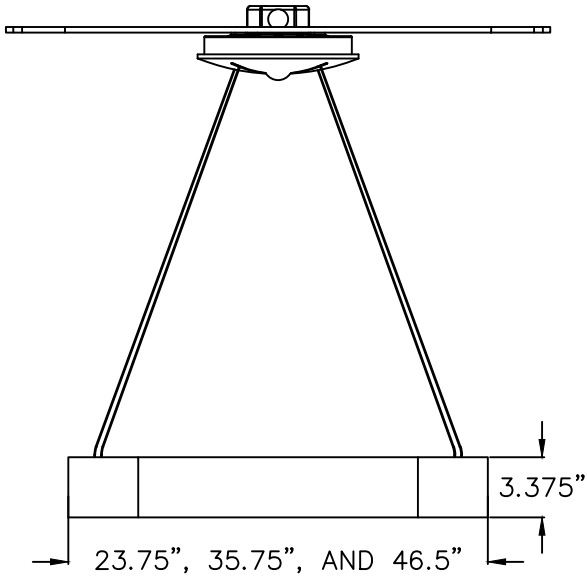


INSTALLATION GUIDE-PENDANT

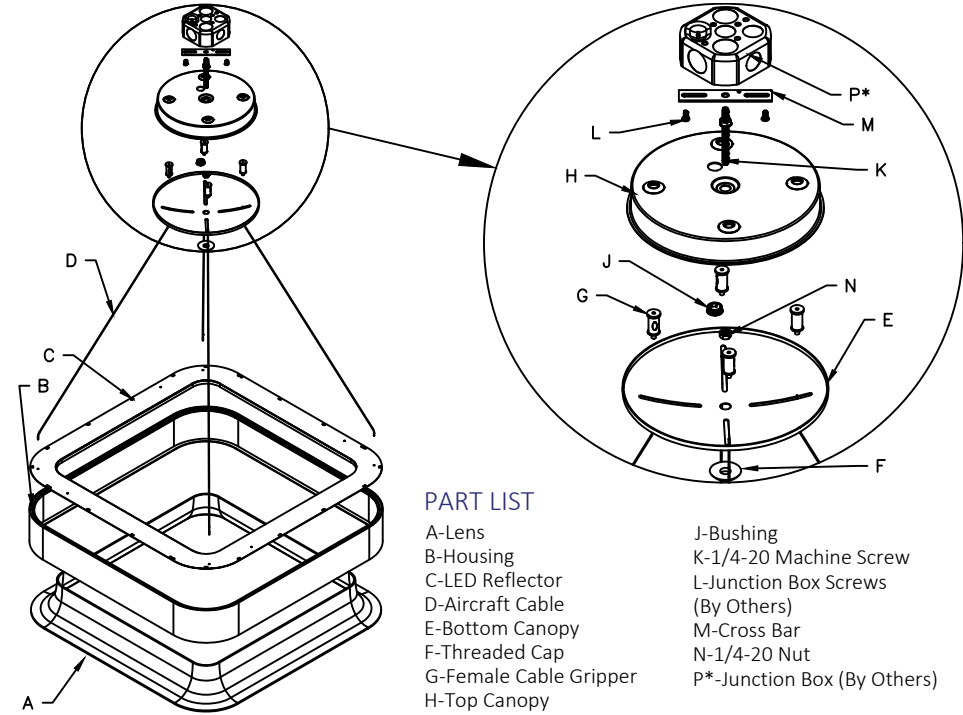


Risk of fire and electrical shock. In accordance with national local building and electrical codes, CORONET lighting fixtures must be installed by a qualified electrician. Disconnect power at electrical panel before servicing.

SIDE VIEW



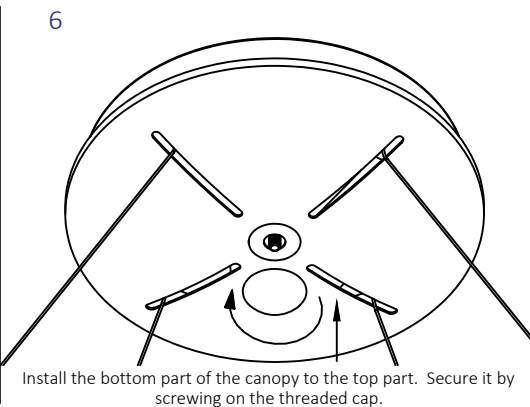
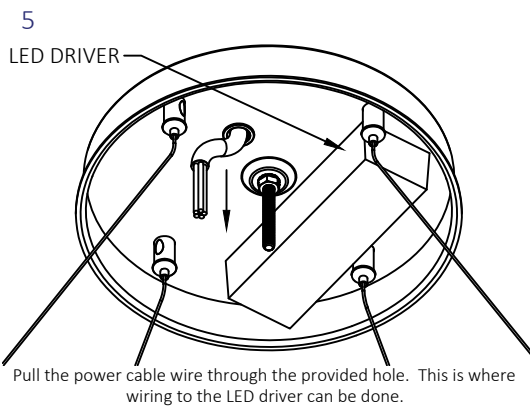
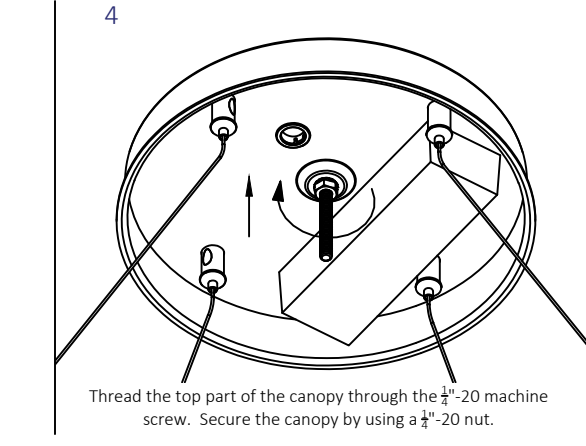
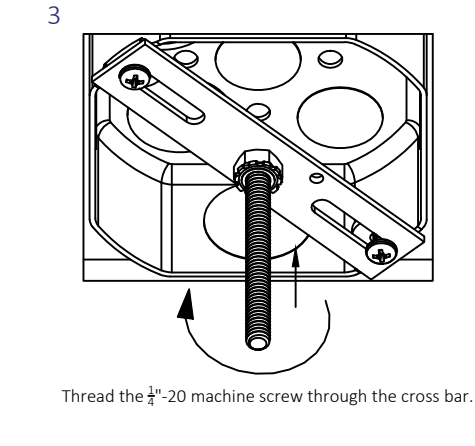
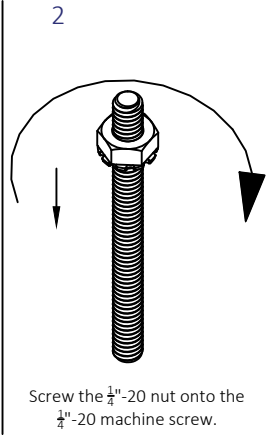
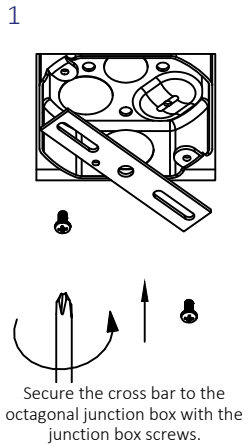
EXPLODED DETAIL



PART LIST

- | | |
|------------------------|-----------------------------|
| A-Lens | J-Bushing |
| B-Housing | K-1/4-20 Machine Screw |
| C-LED Reflector | L-Junction Box Screws |
| D-Aircraft Cable | (By Others) |
| E-Bottom Canopy | M-Cross Bar |
| F-Threaded Cap | N-1/4-20 Nut |
| G-Female Cable Gripper | P*-Junction Box (By Others) |
| H-Top Canopy | |

EXPLODED VIEWS ARE TO SHOW DETAIL ONLY, FIXTURES ARE SHIPPED PRE-ASSEMBLED.



*NOTE: JUNCTION BOXES MUST BE SOLIDLY FIXED TO THE CEILING AND ATTACHED TO THE STRUCTURAL MEMBER INSIDE THE CEILING BEFORE PROCEEDING WITH INSTALLATION.