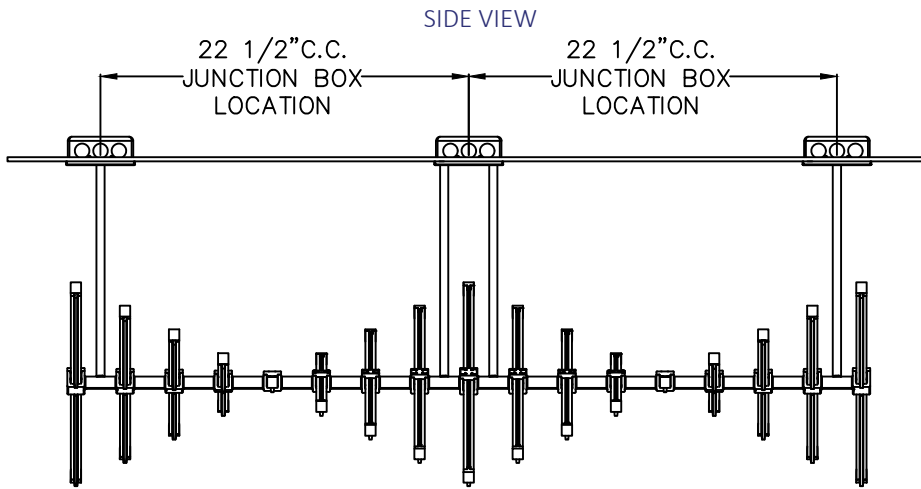


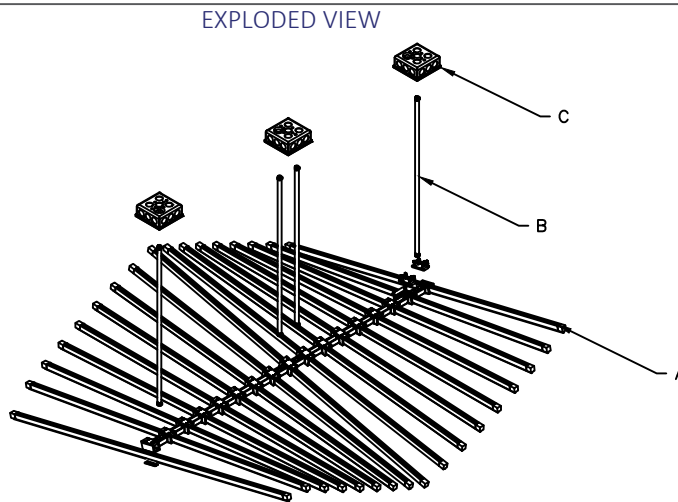
## INSTALLATION GUIDE-PENDANT



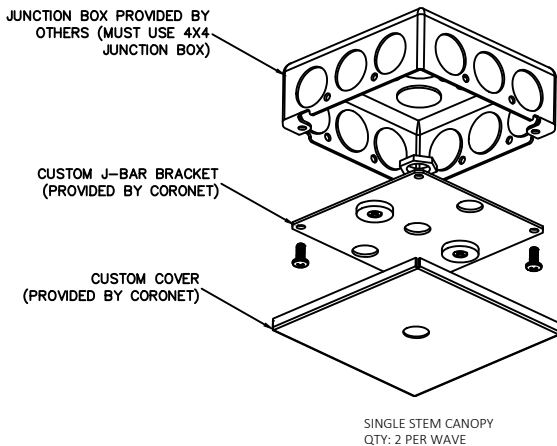
Risk of fire and electrical shock. In accordance with national local building and electrical codes, CORONET lighting fixtures must be installed by a qualified electrician. Disconnect power at electrical panel before servicing.



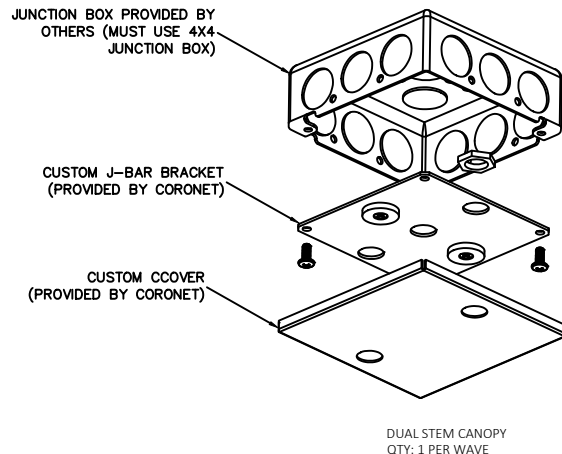
**PART LIST**  
 A-WAVE  
 B-STEM  
 C-CANOPY COVER  
 & J-BAR



### SINGLE STEM CANOPY DETAIL(ENDS OF FIXTURE)



### DUAL STEM CANOPY DETAIL(CENTER OF FIXTURE)



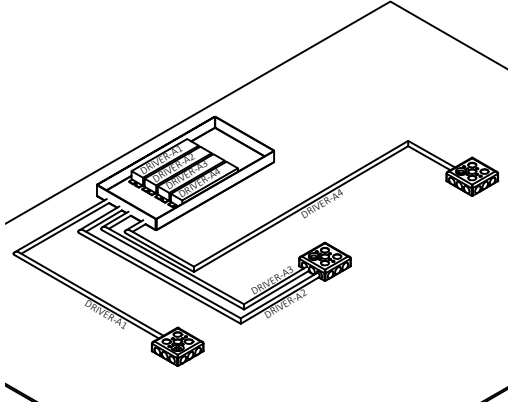
\*NOTE: JUNCTION BOXES MUST BE SOLIDLY FIXED TO THE CEILING AND ATTACHED TO THE STRUCTURAL MEMBER INSIDE THE CEILING BEFORE PROCEEDING WITH INSTALLATION.

## INSTALLATION GUIDE-PENDANT



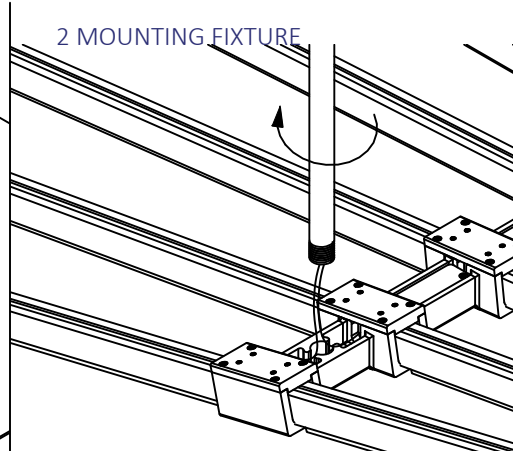
Risk of fire and electrical shock. In accordance with national local building and electrical codes, CORONET lighting fixtures must be installed by a qualified electrician. Disconnect power at electrical panel before servicing.

### 1 WIRING TO REMOTE BOX



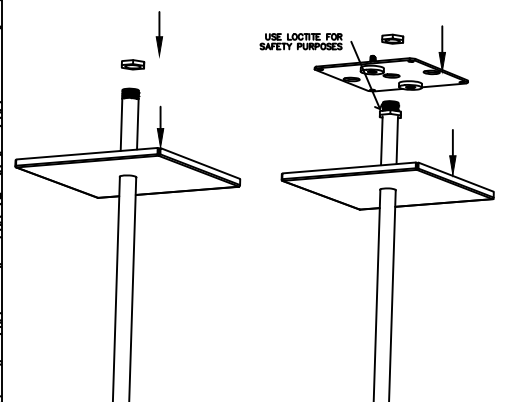
The feeds coming out of each stem will be labeled to match the drivers inside the enclosure, close driver box once wiring is done.  
*note: Use whips or plenum rated wires from junction box to remote box*

### 2 MOUNTING FIXTURE



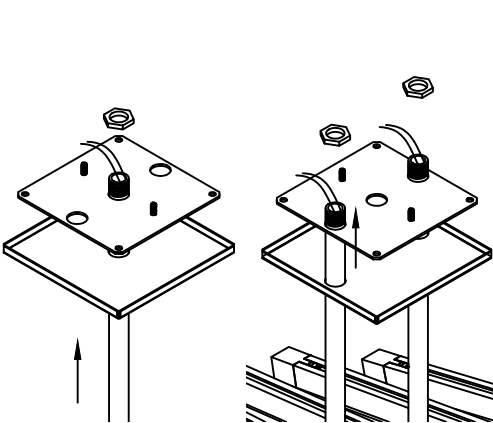
Screw the provided 1/4-18 stem into the WAVE fixture, do this step for all four stems.

### 3



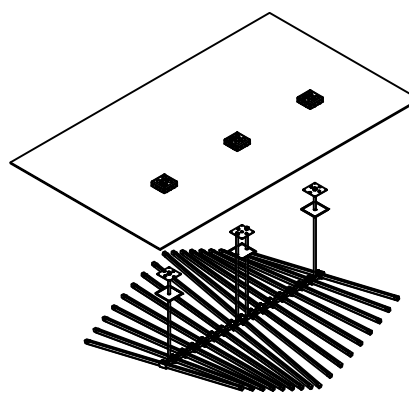
Next insert custom cover through stem, and secure 1/4-18 nut to stem, Apply loctite for safety purposes. then proceed to insert the custom J-bar.

### 4



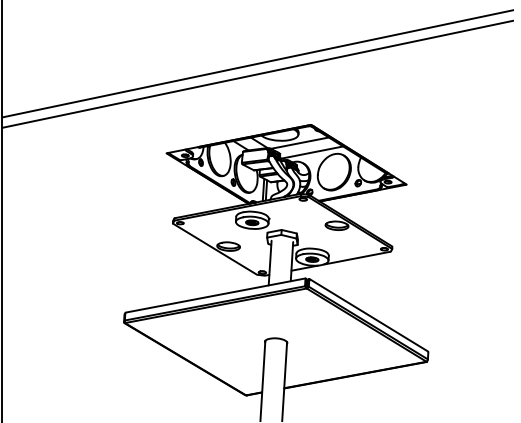
Once the J-Bar is through the J-Bar, secure 1/4-18 nuts to stem.  
*note: each power feed stem will be labeled to match it's driver.*

### 5



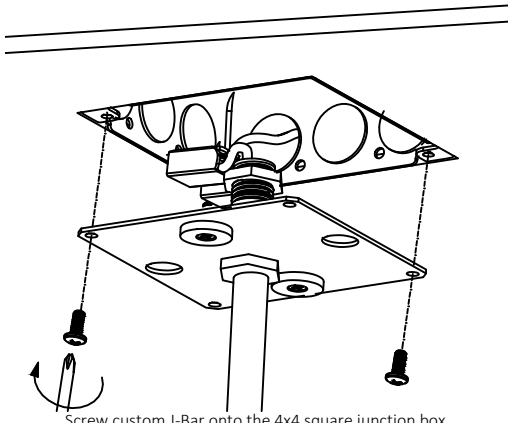
With the help of two or more people, bring the fixture up.

### 6



Connect the positive and negative wires from the driver box to the labeled wires coming out of the stem.

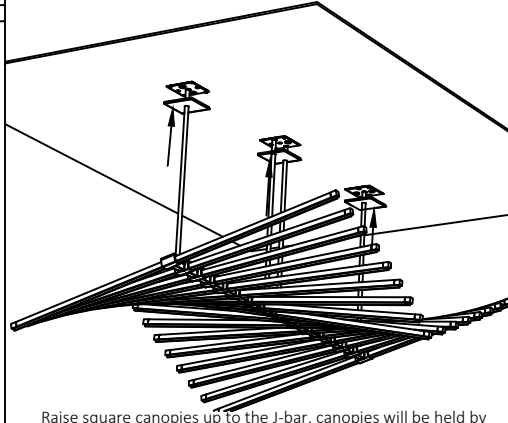
### 7



Screw custom J-Bar onto the 4x4 square junction box.  
*note: two or more people must be holding the fixture while working.*

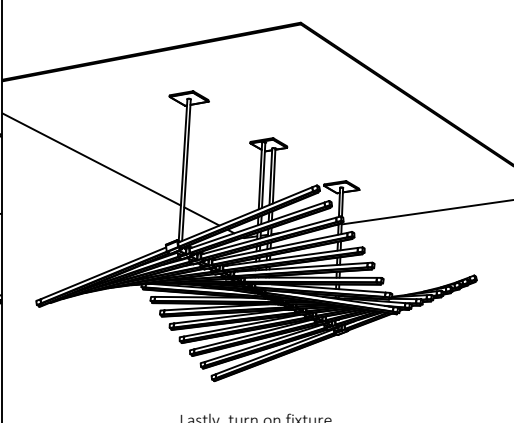
**NOTE: JUNCTION BOXES MUST BE SOLIDLY FIXED TO THE CEILING AND ATTACHED TO THE STRUCTURAL MEMBER INSIDE THE CEILING BEFORE PROCEEDING WITH INSTALLATION.**

### 8



Raise square canopies up to the J-bar, canopies will be held by magnets located in the J-bar.

### 9



Lastly, turn on fixture.

## INSTALLATION GUIDE-PENDANT



Risk of fire and electrical shock. In accordance with national local building and electrical codes, CORONET lighting fixtures must be installed by a qualified electrician. Disconnect power at electrical panel before servicing.

### GENERAL INSTALLATION CONSIDERATIONS - See submittal drawings for job specific data.

Operating Temperature.....-40°C to 50°C  
Operating Voltage.....110VAC-277VAC, 50Hz-60Hz  
Weight.....2.8 lb/ft  
Dimensions.....See submittal drawings

- Installation by a certified electrician only.
- Read and understand the installation instructions before attempting to install or use the fixture.
- Only use fixtures with voltage for which it is rated. Do not exceed the specified voltage and current input.
- Do not use the fixture if the housing, lens, or power cable is damaged.
- Ensure that the main power supply is off before installing or wiring the fixture.
- Method of wire connection to be determined by local electrical codes and regulations.
- The external flexible cable of this luminaire cannot be field replaced; if the cord is damaged, contact Coronet.
- The light source contained in this luminaire shall only be replaced by the lighting manufacturer or his service agent or a similar qualified person.

Please contact our technical support team for assistance.

NOTE: JUNCTION BOXES MUST BE SOLIDLY FIXED TO THE CEILING AND ATTACHED TO THE STRUCTURAL MEMBER INSIDE THE CEILING BEFORE PROCEEDING WITH INSTALLATION.