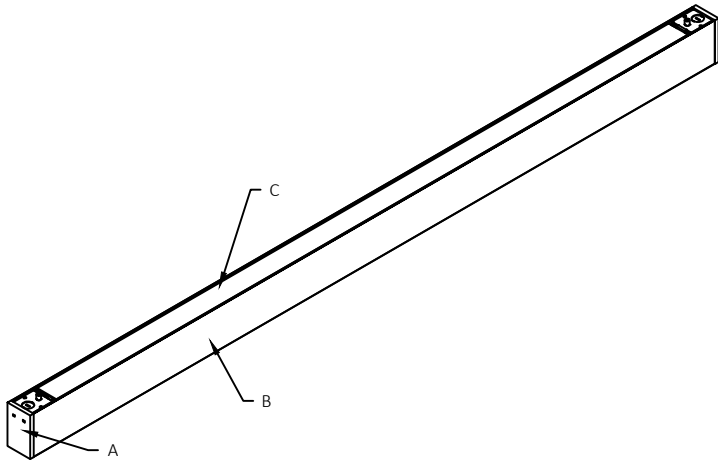


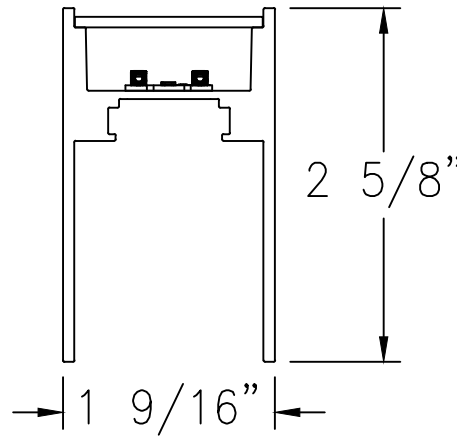


Risk of fire and electrical shock. In accordance with national local building and electrical codes, CORONET lighting fixtures must be installed by a qualified electrician. Disconnect power at electrical panel before servicing.

ISOMETRIC VIEW



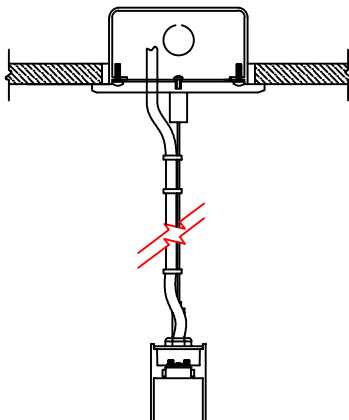
CROSS SECTION VIEW (MAG TRACK)



PART LIST

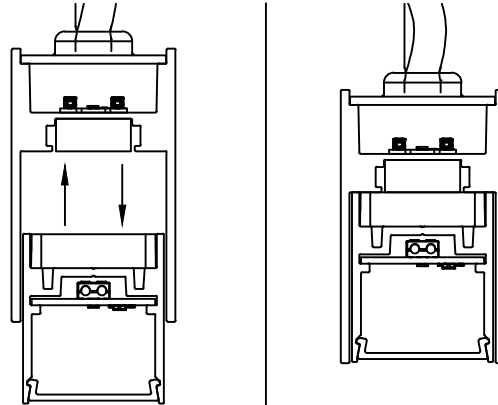
- A-End Plate
- B-Extrusion
- C-Lens

1



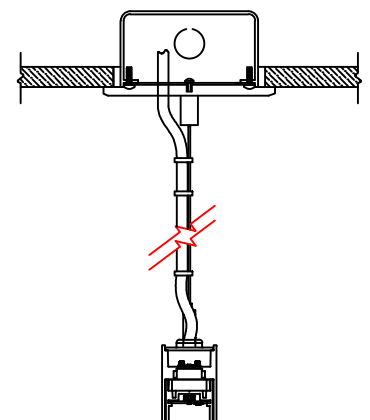
Mount the track component using the correct install guide. Aircraft cable shown, however, procedure remains the same for other track mounting methods.

2



Take one of the Magneto modules and with the magnets at the top lift it into the opening in the track. The power rail in the track will attract with the magnets at the top of the module. Magneto Linear shown for this example.

3



If there is no power to the fixture, power it on and the module will light up.

GENERAL INSTALLATION CONSIDERATIONS - See submittal drawings for job specific data.

Operating Temperature.....-40°C to 50°C
 Operating Voltage.....110VAC-277VAC, 50Hz-60Hz
 Weight.....lb/ft
 Dimensions.....See submittal drawings

- Installation by a certified electrician only.
- Read and understand the installation instructions before attempting to install or use the fixture.
- Only use fixtures with voltage for which it is rated. Do not exceed the specified voltage and current input.
- Do not use the fixture if the housing, lens, or power cable is damaged.
- Ensure that the main power supply is off before installing or wiring the fixture.
- Method of wire connection to be determined by local electrical codes and regulations.
- The external flexible cable of this luminaire cannot be field replaced; if the cord is damaged, contact Coronet.
- The light source contained in this luminaire shall only be replaced by the lighting manufacturer or his service agent or a similar qualified person.

Please contact our technical support team for assistance.