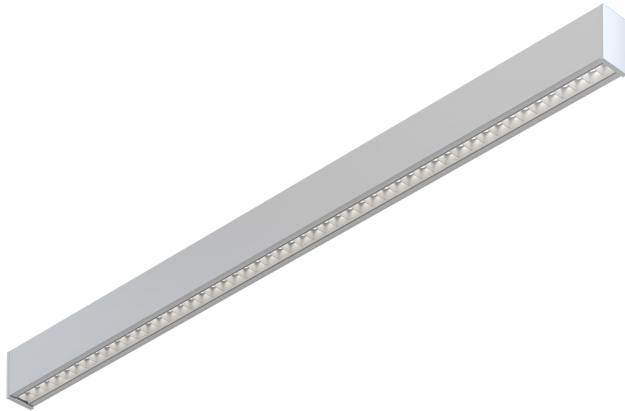


# LS1 Sharp indirect/direct

>90 CRI  
up to  
**90**  
lumens / watt

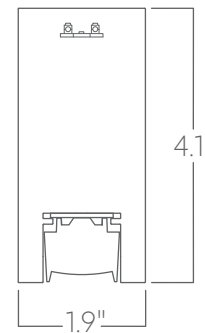


The Sharp Series of architectural luminaires features slim profiles, glare-free, beam shaping optical cells and several mounting options. Custom lengths are tailored to suit any modern space.

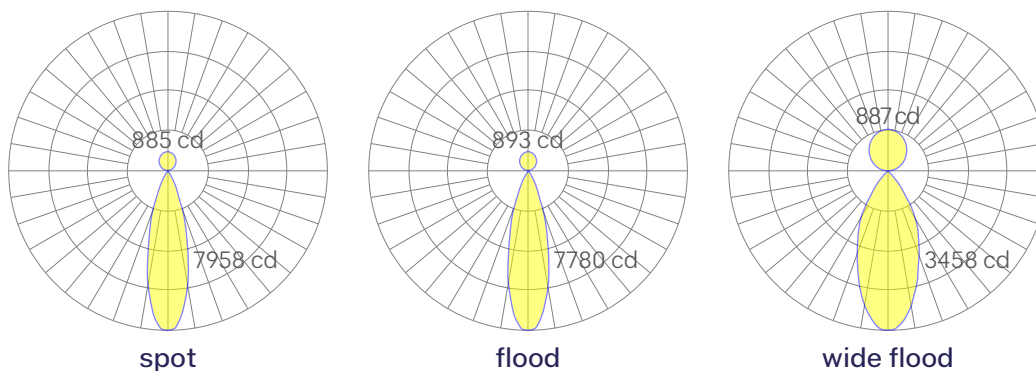
## Features

- Extruded recycled aluminum housing
- Glare-free, beam shaping optical cells
- Aluminum core LED boards, specifiable optics
- Specifiable color temperature. CRI > 90, R9 > 50
- Custom finishes available
- Specifiable dimmable drivers or PoE
- 5 Year, 50,000 hour warranty, damp location rated
- Compatible with all wood ceilings
- WELL Building Standard compatible [learn more](#)

## Dimensions



## Optics



Representative distribution and peak candela. For other options see order information or IES files [here](#).

# LS1 Sharp indirect/direct

## Ordering Information

For each option group below specify one option. If you don't see your preferred option listed, contact us for [help](#).

1 Fixture ID	2 Length	3 Color Temperature	4 Output
<b>LS1 SHARP UPDN</b>	<b>2</b> 2 ft nominal <b>4</b> 4 ft nominal <b>8</b> 8 ft nominal <b>X'X"</b> Specify Length <small>Custom lengths available in 12" nominal increments</small>	<b>27</b> 2700K/90 CRI <b>30</b> 3000K/90 CRI <b>35</b> 3500K/90 CRI <b>40</b> 4000K/90 CRI	<b>Indirect</b> <b>LOW</b> Low output <b>MED</b> Medium output <b>HIGH</b> High output <b>CUST</b> Custom output <small>Specify Watts or lumens</small> <b>Direct</b> <b>LOW</b> Low output <b>MED</b> Medium output <b>HIGH</b> High output <b>CUST</b> Custom output <small>Specify Watts or lumens</small>
5 Voltage	6 Driver	7 Finish	8 Mounting
<b>UNV</b> Universal (120/277V) <b>347V</b> 347V <small>Available for DB driver only</small>	<b>DB</b> Standard 0-10V 1% <b>DB.1%</b> 0-10V 0.1% <b>ELV</b> Reverse Phase 1% (120V only) <small>For compatible dimmers see <a href="#">here</a>.</small> <b>TRI</b> Forward phase (120V only) <small>For compatible dimmers see <a href="#">here</a>.</small> <b>LDE1</b> Lutron Digital EcoSystem <b>DALI</b> DALI-2 Driver <b>PoE</b> Power over Ethernet. <b>DMX</b> DMX512 <small>All DMX drivers set to default address 001 and provided in remote enclosures. Contact us for other addressing needs.</small>	<b>Housing</b> <b>W</b> White <b>BLK</b> Black <b>CC</b> Custom Color <small>See finish options <a href="#">here</a>.</small> <b>Louver</b> <b>W</b> White <b>BLK</b> Black	<b>AC</b> Aircraft cable (50") <b>ACTB9</b> Aircraft cable, Tbar clip, 9/16" <b>ACTB15</b> Aircraft cable, Tbar clip, 15/16" <b>ACTBSG</b> Aircraft cable, Tbar clip, slot grid <b>AC3.5</b> 3.5" canopy + Jbox adaptor <small>adaptor must be mudded-in.</small> <b>ACCC</b> Aircraft cable to conduit pipe canopy <b>PS-X</b> Pendant stem (12", 18", 24", 36", 48")
9 Optics	10 Sensors/Controls	11 Circuit	12 Options
<b>Indirect</b> <b>FL</b> Flat Diffuser <b>AVI BAT</b> 120° Batwing <b>AVI ASY</b> Asymmetric Optic  <b>Direct</b> <b>SP</b> 24° Beam <b>FL</b> 30° Beam <b>WFL</b> 44° Beam	<b>NA</b> None <b>ACM</b> Acuity nLight Module Only <b>CCS</b> Casambi Module <b>AWNDR</b> Lutron Athena Wireless Node Module <b>OTHER</b> Consult Factory  <small>All controls remote.</small>	<b>NA</b> None <b>DC</b> Dual circuit (separate indirect/direct control) <small>May require additional power feeds.</small> <b>EMPCK</b> Emergency battery pack <b>EMCKT</b> Emergency circuit <small>May require additional power feeds.</small> <b>DAYCKT</b> Daylight circuit <small>May require additional power feeds.</small>	<b>STD</b> White canopy + white cord <b>CAN-X</b> Canopy + color <small>See finish options <a href="#">here</a>.</small> <b>SJ-BLK</b> Black cord <b>SJ-WHT</b> White cord

## Performance

Output <sup>1</sup>	Indirect			Direct		
	Watts/ft	Lumens/ft	LPW	Watts/ft	Lumens/ft	LPW
Low	5	488	98	5	419	84
Medium	7	640	91	7	608	87
High	10	884	88	10	800	80

<sup>1</sup>Based on a typically configured 90 CRI, 3500K Luminaire, with WFL optic using one driver. Custom outputs available. Please consult factory. For 4000K multiply by 1.05; for 3000K, 0.9; for 2700K, 0.92.

## Technical Information



click [here](#) or scan QR code

Wiring diagrams, PoE and sensor details

# LS1 Sharp indirect/direct

## Drivers & Electrical

Integral, dimmable drivers are supplied in enclosures.

## Emergency Back-Up

For fixtures three-feet or longer, a 4W integral emergency driver may be wired to 4ft sections. 7W, 10W, and 12W drivers are also available (not all integral; consult factory). Emergency circuits for use with building generators are also available.

## PoE (Power over Ethernet)

Compatible with virtually all PoE systems including Molex Coresync, Igor, Smartengine, Platformatics, and NuLED SPICEbox.

Consult factory for systems not listed. See [here](#) for more info.

## Finishes

All luminaires are finished in high quality polyester powder coating. Our standard color is white. Any RAL color may be specified.

## Weight

3 lbs per foot

## Optics

Glare-free, beam shaping optical cells.

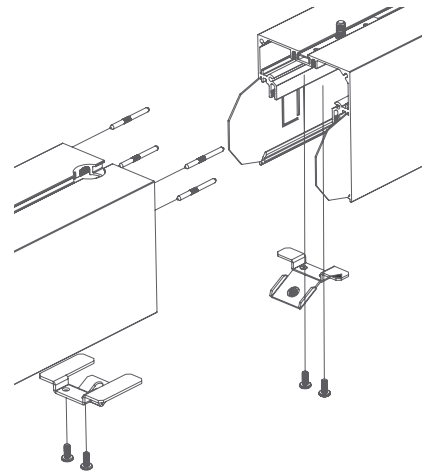
## Construction

Extruded, recycled aluminum housing with formed steel ends.

## Joined Runs

Runs of any length<sup>1</sup> may be specified and are comprised of multiple, factory-engineered, joined sections. Individually specified luminaires are not field joinable.

<sup>1</sup>Custom lengths available in 12" nominal increments.

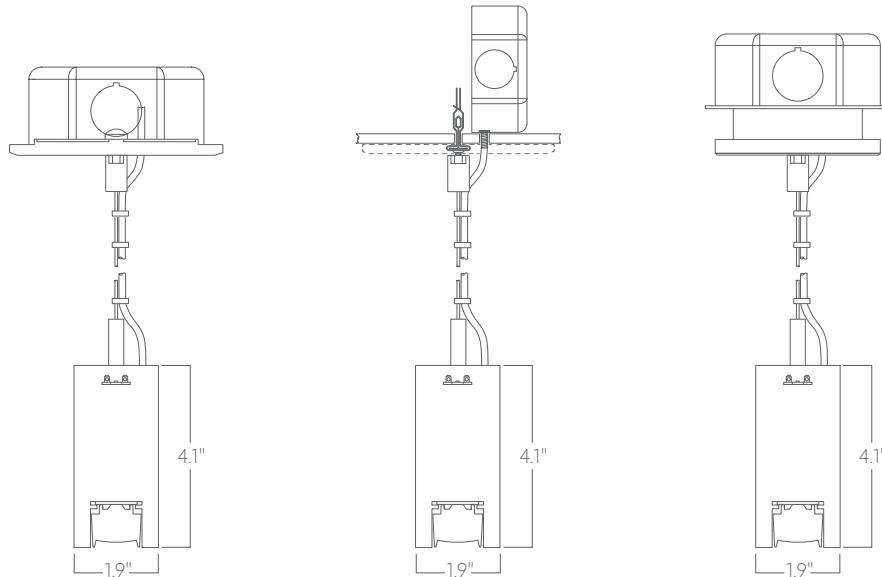


Representative joinery. For product specific details see installation guides or submittal drawings.

# LS1 Sharp indirect/direct

## Mounting Options

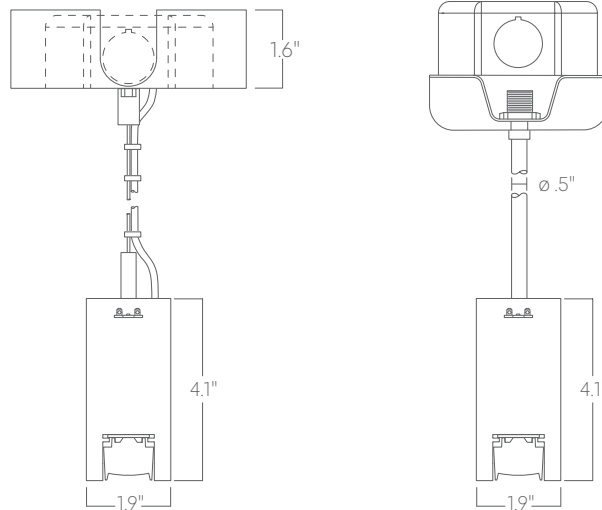
Custom mounting types and ceiling transitions available; consult factory.



**Aircraft cable  
5" canopy**

**Aircraft cable  
5" canopy, T Bar Clip**

**Aircraft cable  
3.5" canopy**



**Aircraft cable  
Conduit canopy  
with knockouts**

**Pendant stem**

Please consult factory shop drawings for suspension points.

To prevent damage to fixtures, factory designated suspension points must not be field altered.

Do not attempt installation if you do not understand the installation instructions.