

# Rush Sharp recessed

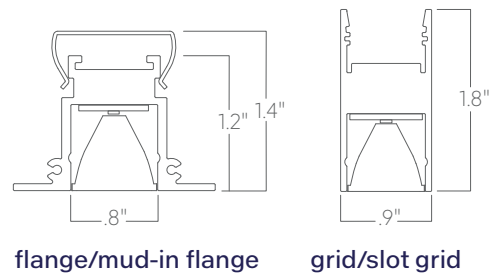


The Sharp Series of architectural luminaires features slim profiles, glare free, beam shaping optical cells and several mounting options. Custom lengths are tailored to suit any modern space.

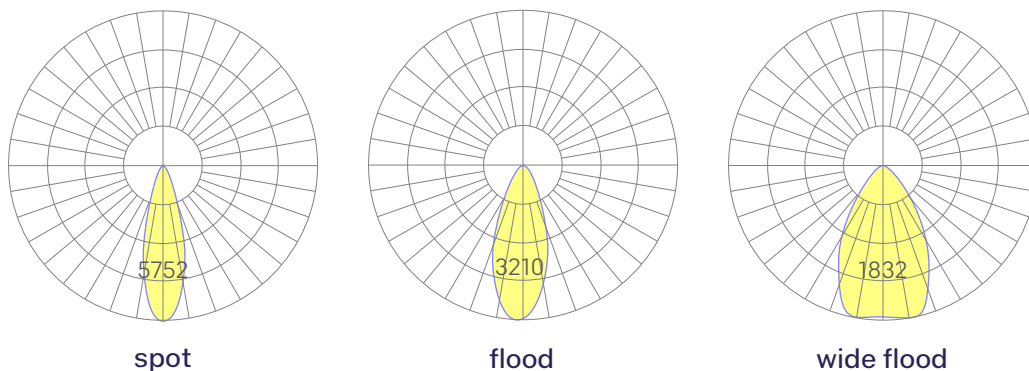
## Features

- Extruded recycled aluminum housing
- Aluminum core LED boards, specifiable output
- Specifiable color temperature. CRI > 90, R9 >50
- Custom lengths, welded patterns, and custom finishes available
- Specifiable dimmable drivers or PoE
- 5 Year, 50,000 hour warranty, damp location rated
- WELL Building Standard compatible [learn more](#)

## Dimensions



## Optics



Representative distribution and peak candela. For other options see order information or IES files [here](#).

# Rush Sharp recessed

## Ordering Information

-  -  -  -  -  -  -  -  -  -  -  -

1      2      3      4      5      6      7a      7b      8      9      10      11      12

Example: RUSH SHARP REC - 8 - 35 - MED - UNV - DB - W - BLK - NT - FL - CCS - DAYCKT - NA

<b>Fixture ID</b> <input type="text"/> 1 <input type="text"/>	<b>Length</b> <input type="text"/> 2 <input type="text"/>	<b>Color Temperature</b> <input type="text"/> 3 <input type="text"/>	<b>Output</b> <input type="text"/> 4 <input type="text"/>
<b>RUSH SHARP REC</b>	<b>2</b> 2 ft <b>4</b> 4 ft <b>8</b> 8 ft <b>X'X"</b> Specify length <sup>1</sup> <b>PAT</b> Pattern (Consult Factory)	<b>27</b> 2700K/90 CRI <b>30</b> 3000K/90 CRI <b>35</b> 3500K/90 CRI <b>40</b> 4000K/90 CRI	<b>LOW</b> Low output <b>MED</b> Medium output <b>HIGH</b> High output <b>CUST</b> Custom output <sup>1</sup>
<sup>1</sup> Custom lengths in 4" increments All lengths are nominal unless specified to be exact.		<sup>1</sup> consult factory	
<b>Voltage</b> <input type="text"/> 5 <input type="text"/>	<b>Driver</b> <input type="text"/> 6 <input type="text"/>	<b>Finish</b> <input type="text"/> 7a - <input type="text"/> <input type="text"/> 7b - <input type="text"/>	<b>Mounting</b> <input type="text"/> 8 <input type="text"/>
<b>UNV</b> Universal (120/277V) <b>347V<sup>1</sup></b> 347V	<b>DB</b> Standard 0-10V 1% <b>DB.1%</b> 0-10V 0.1% <b>ELV<sup>2</sup></b> Reverse Phase 1% (120V only) <b>TRI<sup>2</sup></b> Forward phase (120V only) <b>DALI</b> DALI-2 Driver <b>DMX<sup>1</sup></b> DMX512	<b>7a - Housing</b> <b>W</b> White <b>BLK</b> Black <b>CC<sup>1</sup></b> Custom Color	<b>T</b> 9/16" Tee Grid <b>T15</b> 15/16" Tee Grid <b>SG</b> Slot Grid/Interlude <b>F</b> Flange <b>NT</b> Mud-in Flange <b>PM-X<sup>1</sup></b> Perimeter Mount <b>MW<sup>2</sup></b> Millwork
<sup>1</sup> Must use DB Driver	<sup>1</sup> Set to default address 001. Contact us for other addressing needs. <sup>2</sup> For compatible dimmers, click <a href="#">here</a> . All drivers remote	<sup>1</sup> Custom Color. See finish options <a href="#">here</a> . White SI cord and canopy provided; for other requests, see section 12 to specify.	<sup>1</sup> 'X' denotes mounting type on opposite side of wall (eg PM-NT). <sup>2</sup> Consult Factory
<b>Optics</b> <input type="text"/> 9 <input type="text"/>	<b>Sensors/Controls</b> <input type="text"/> 10 <input type="text"/>	<b>Circuit</b> <input type="text"/> 11 <input type="text"/>	<b>Options</b> <input type="text"/> 12 <input type="text"/>
<b>SP</b> 24° Beam <b>FL</b> 36° Beam <b>WFL</b> 55° Beam	<b>NA</b> None <b>ACM</b> Acuity nLight Module Only <b>CCS</b> Casambi Module <b>AWNRR</b> Lutron Athena Wireless Node Module	<b>NA</b> None <b>EMPCK</b> Emergency Battery Pack <b>EMCKT</b> Emergency Circuit <b>DAYCKT</b> Daylight Circuit	<b>NA</b> None
All control systems are remote. Consult factory for other options.			

## Performance

Output <sup>1</sup>	Watts/ft	Lumens/ft
Low	4	312
Medium	6	469
High	8	625

<sup>1</sup>Based on 'WFL' option, black louver, 90 CRI, 3500K luminaire using one driver.

Custom outputs available. Please consult factory.  
For 4000K multiply by 1.05; for 3000K 0.96; for 2700K, 0.92

## Technical Information



click [here](#) or scan QR code

Wiring diagrams, PoE and sensor details

Modification date: June, 2023

Page 2 of 4

# Rush Sharp recessed

## Drivers & Electrical

Remote, dimmable drivers are supplied in enclosures.  
For remote driver box sizes, click [here](#).

## Emergency Back-Up

For fixtures three-feet or longer, a 4W integral emergency driver may be wired to 4ft sections. 7W, 10W, and 12W drivers are also available (not all integral; consult factory). Emergency circuits for use with building generators are also available.

## Finishes

All luminaires are finished in high quality polyester powder coating.  
Our standard color is white. Any RAL color may be specified.

## Weight

1 lb per foot

## Optics

Glare free, beam shaping optical cells.

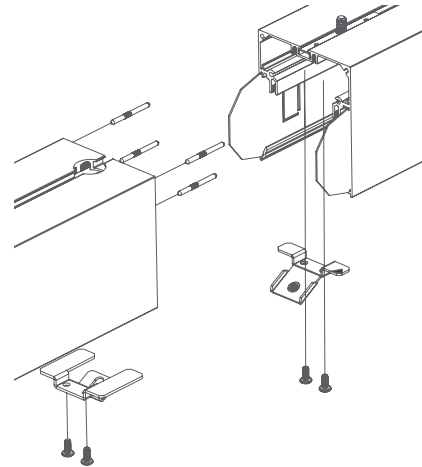
## Construction

Extruded, recycled aluminum housing with formed steel ends.

## Joined runs

Runs of any length\* may be specified and are comprised of multiple, factory-engineered, joined sections. Individually specified luminaires are not field joinable.

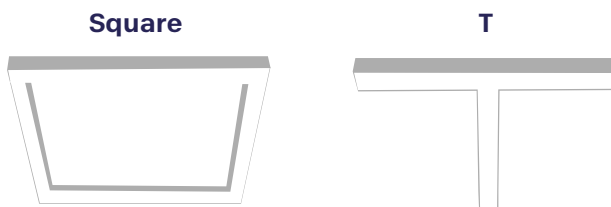
\*Custom lengths available in 12" nominal increments



Representative joinery. For product specific details see installation guides or submittal drawings.

## Patterns

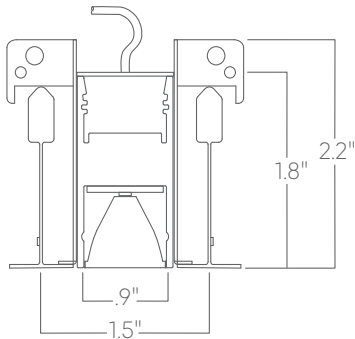
Featuring illuminated welded corners and angles. Consult factory for custom designs.



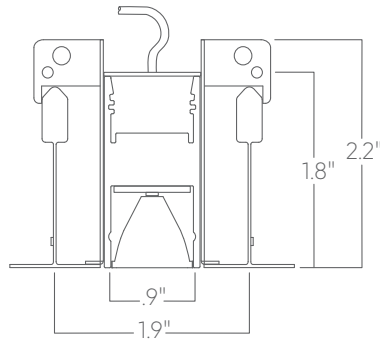
# Rush Sharp recessed

## Mounting Options

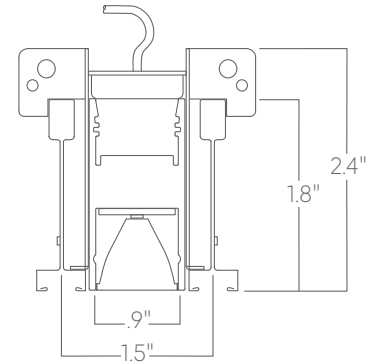
Custom mounting types and ceiling transitions available; consult factory.



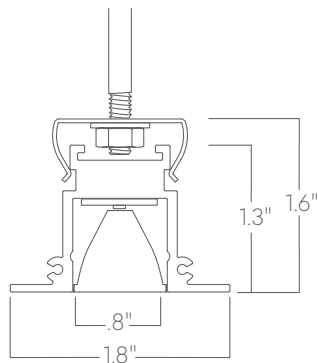
**T**  
9/16" tee grid



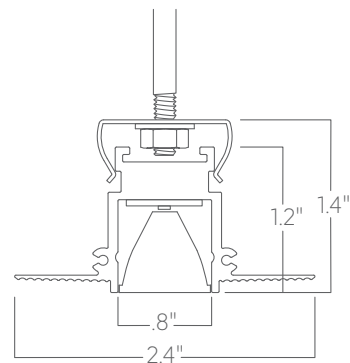
**T15**  
15/16" tee grid



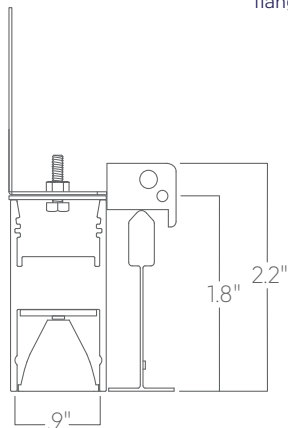
**SG**  
slot grid



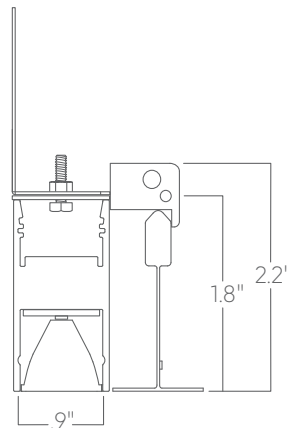
**F**  
flange



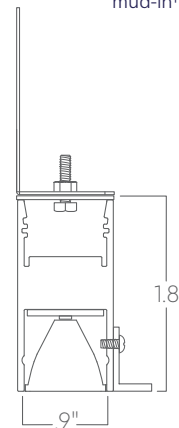
**NT**  
mud-in<sup>1</sup>



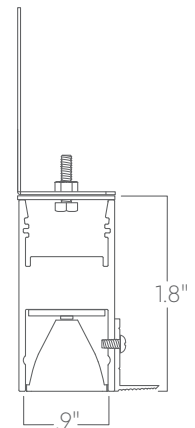
**PM-T**  
perimeter to 9/16" tee grid



**PM-T15**  
perimeter to 15/16" tee grid



**PM-F**  
perimeter to flange



**PM-NT**  
perimeter to mud-in

<sup>1</sup>Installation that alters aperture width compromises lens security. Installer must ensure aperture width is maintained.