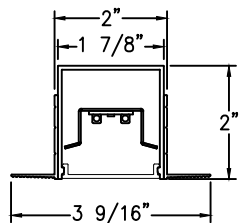


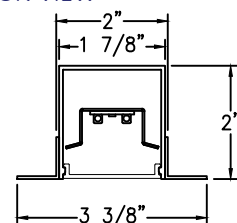
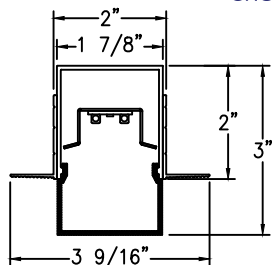


Risk of fire and electrical shock. In accordance with national local building and electrical codes, CORONET lighting fixtures must be installed by a qualified electrician. Disconnect power at electrical panel before servicing.

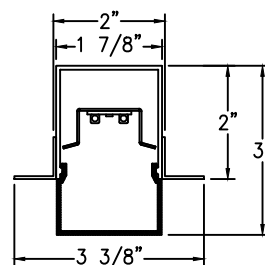
CROSS SECTION VIEW



SQUARE NT WITH FLAT LENS & POL LENS



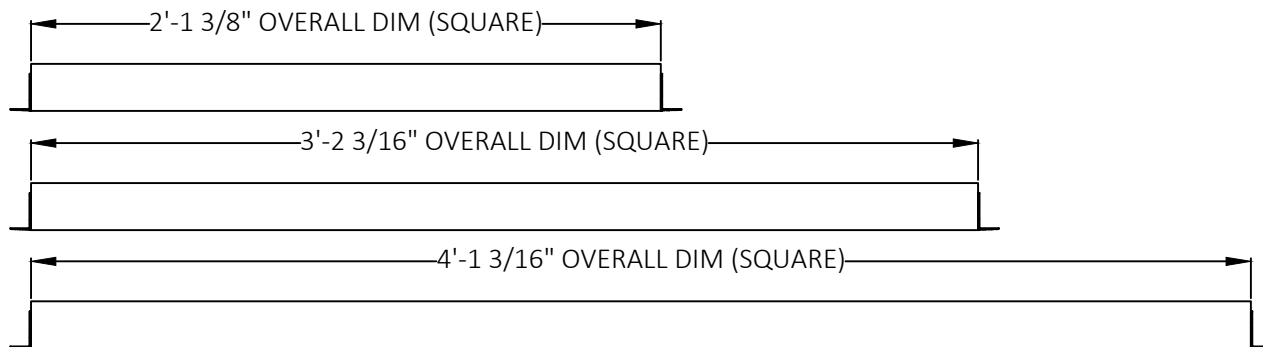
SQUARE FLANGE WITH FLAT LENS & POL LENS



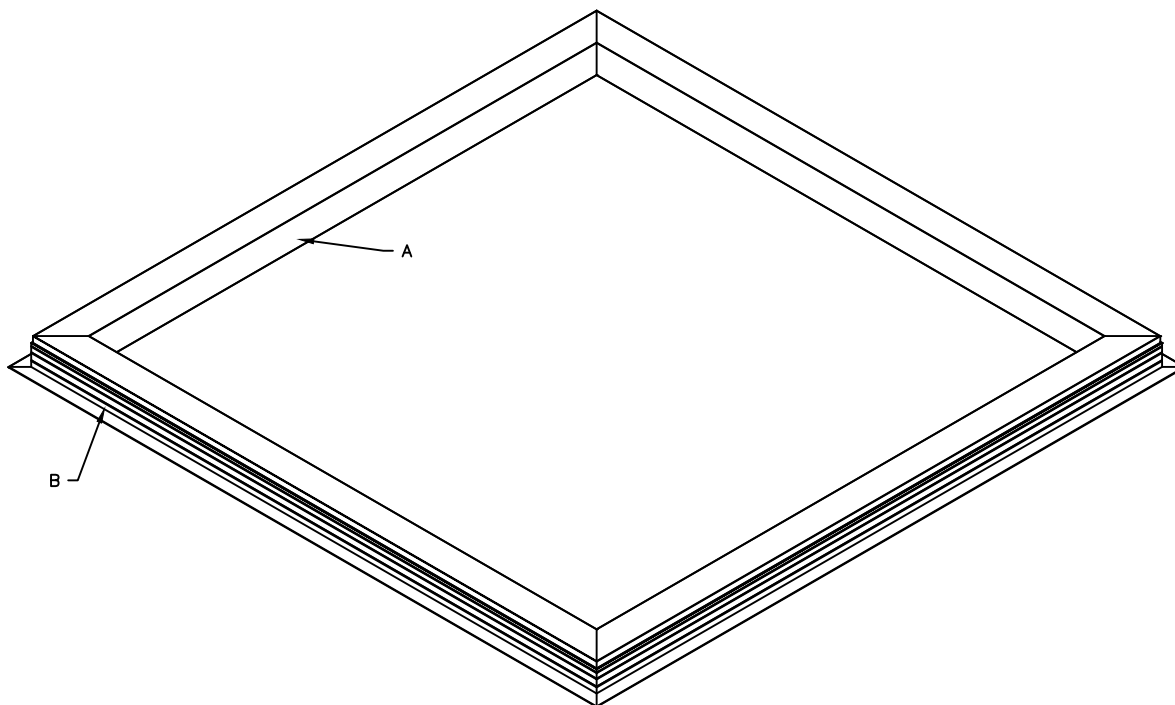
PART LIST

- A-Extrusion
- B-Auxiliary Flange

OUTSIDE FIXTURE PROFILE



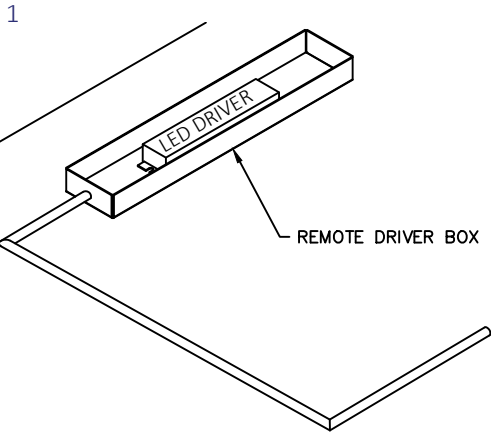
ISOMETRIC VIEW



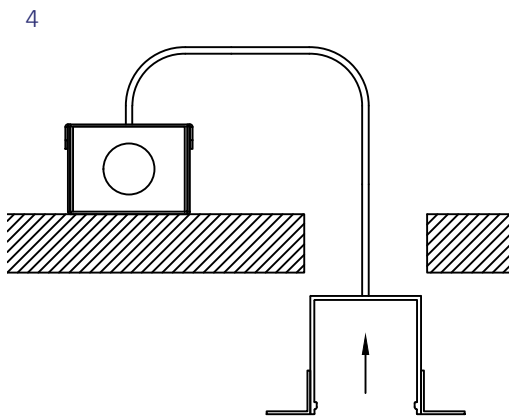
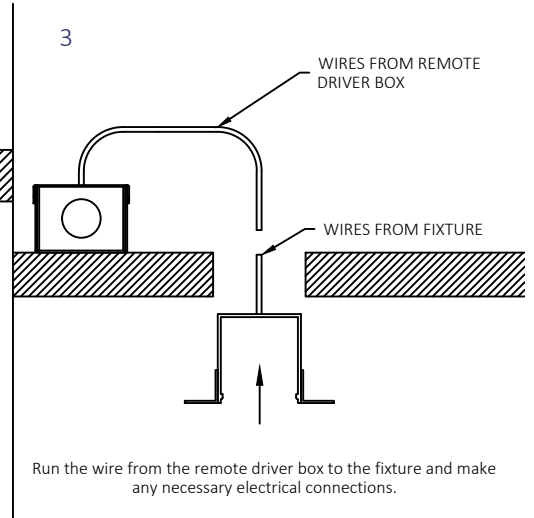
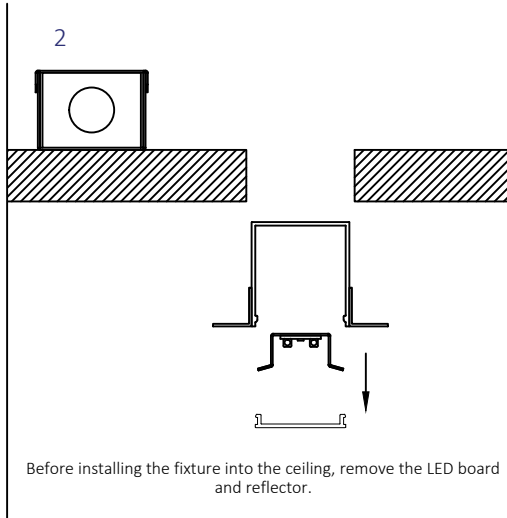
*NOTE: JUNCTION BOXES MUST BE SOLIDLY FIXED TO THE CEILING AND ATTACHED TO THE STRUCTURAL MEMBER INSIDE THE CEILING BEFORE PROCEEDING WITH INSTALLATION.



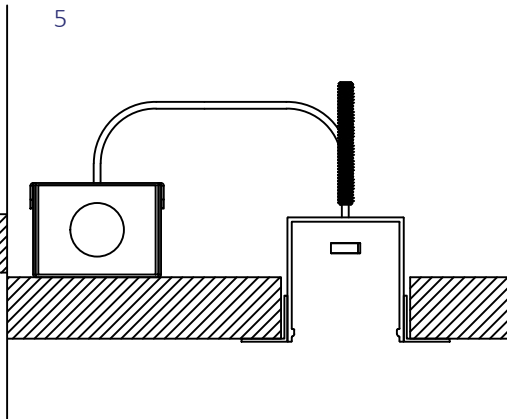
Risk of fire and electrical shock. In accordance with national local building and electrical codes, CORONET lighting fixtures must be installed by a qualified electrician. Disconnect power at electrical panel before servicing.



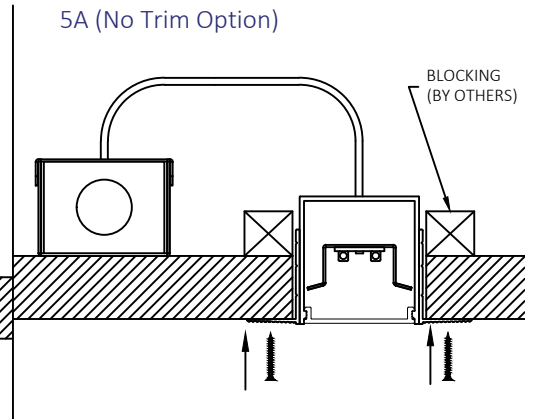
Install the remote driver box above the ceiling and run conduit that is not longer than 30ft in length from the fixture.
Note: Use whip or plenum rated wires from the junction box to the remote box.



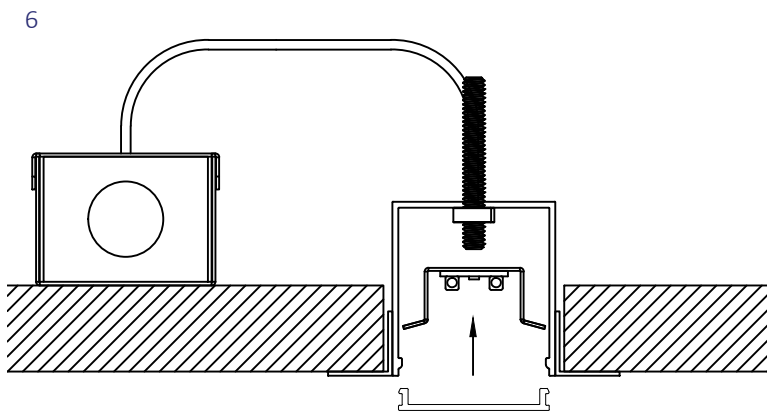
Lift the fixture into the ceiling for installation. Multiple people will be needed to perform this task.



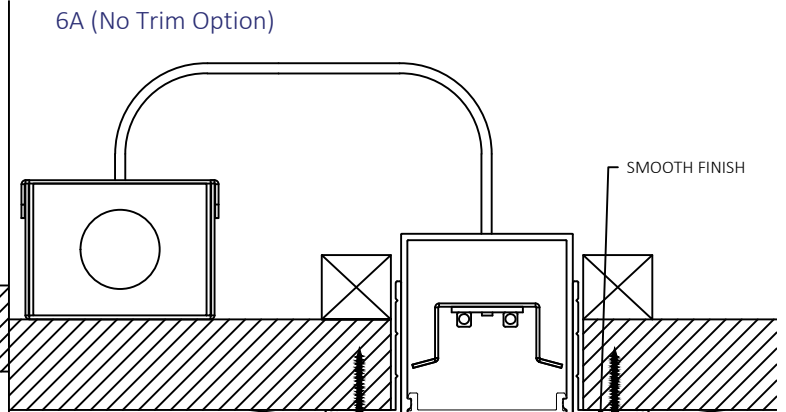
Install the fixture into the ceiling using a 1/4-20 machine screw and nut (hardware by others).



Install the fixture by screwing through the flange into the ceiling. Removing the LED tray and lens is not required for this option.
Note: Sufficient blocking required behind ceiling if using this option.



Reinstall the LED board and reflector into the fixture.



For "No Trim" fixtures, spackle up to the side of the fixture covering the flange and screws. Sand to create a smooth finish.

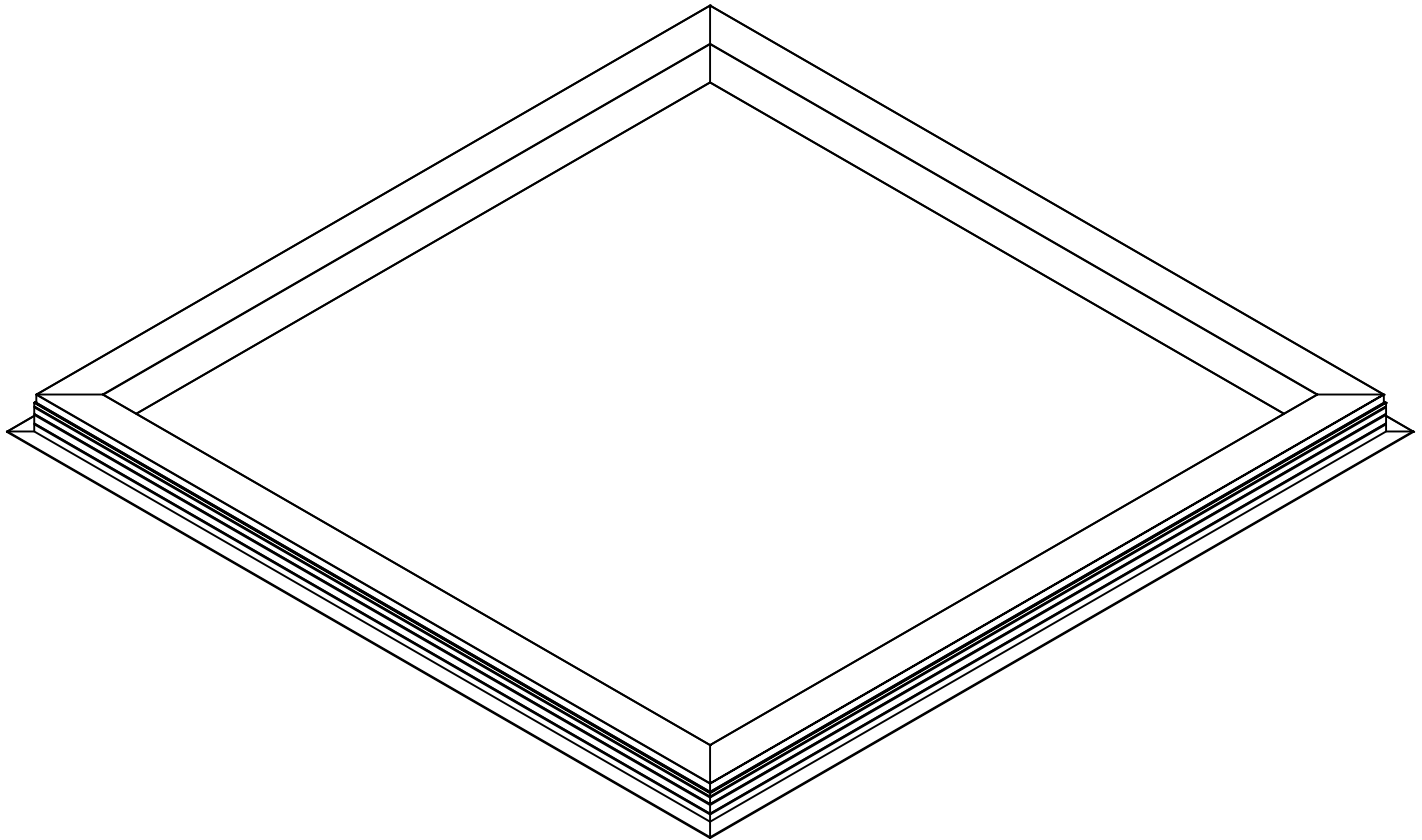
Note: Clean up any sand or plaster inside the fixture.

NOTE: JUNCTION BOXES MUST BE SOLIDLY FIXED TO THE CEILING AND ATTACHED TO THE STRUCTURAL MEMBER INSIDE THE CEILING BEFORE PROCEEDING WITH INSTALLATION.



Risk of fire and electrical shock. In accordance with national local building and electrical codes, CORONET lighting fixtures must be installed by a qualified electrician. Disconnect power at electrical panel before servicing.

7



Power on the fixture and make sure everything works properly.

GENERAL INSTALLATION CONSIDERATIONS - See submittal drawings for job specific data.

Operating Temperature.....-40°C to 50°C
Operating Voltage.....110VAC-277VAC, 50Hz-60Hz
Weight.....lb/ft
Dimensions.....See submittal drawings

- Installation by a certified electrician only.
- Read and understand the installation instructions before attempting to install or use the fixture.
- Only use fixtures with voltage for which it is rated. Do not exceed the specified voltage and current input.
- Do not use the fixture if the housing, lens, or power cable is damaged.
- Ensure that the main power supply is off before installing or wiring the fixture.
- Method of wire connection to be determined by local electrical codes and regulations.
- The external flexible cable of this luminaire cannot be field replaced; if the cord is damaged, contact Coronet.
- The light source contained in this luminaire shall only be replaced by the lighting manufacturer or his service agent or a similar qualified person.

Please contact our technical support team for assistance.

NOTE: JUNCTION BOXES MUST BE SOLIDLY FIXED TO THE CEILING AND ATTACHED TO THE STRUCTURAL MEMBER INSIDE THE CEILING BEFORE PROCEEDING WITH INSTALLATION.