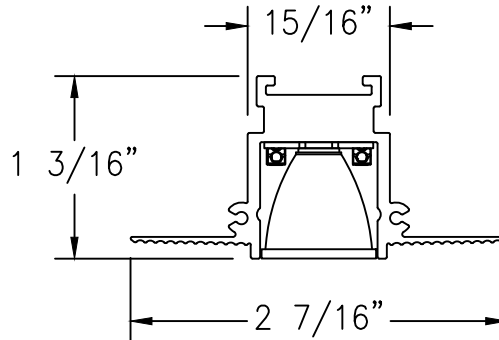




Risk of fire and electrical shock. In accordance with national local building and electrical codes, CORONET lighting fixtures must be installed by a qualified electrician. Disconnect power at electrical panel before servicing.

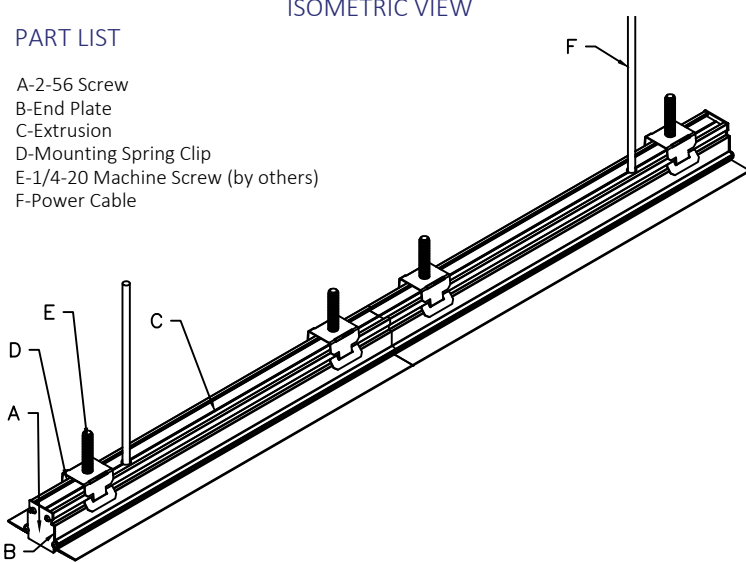
CROSS SECTION VIEW



ISOMETRIC VIEW

PART LIST

- A-2-56 Screw
- B-End Plate
- C-Extrusion
- D-Mounting Spring Clip
- E-1/4-20 Machine Screw (by others)
- F-Power Cable



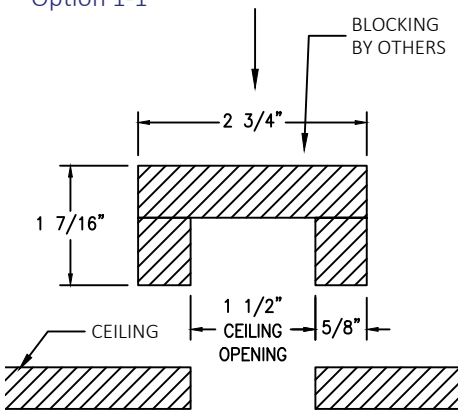
NOTE: THIS FIXTURE REQUIRES A REMOTE LED DRIVER.

SIDE VIEW



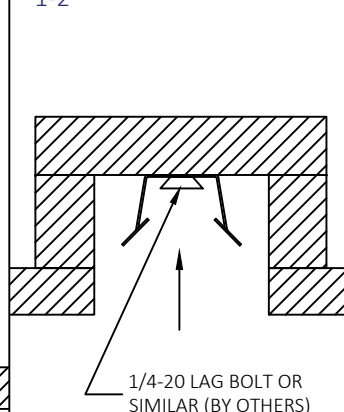
PLEASE CONSULT FACTORY SHOP DRAWINGS FOR CEILING CUT OUT DIMENSIONS.

Option 1-1



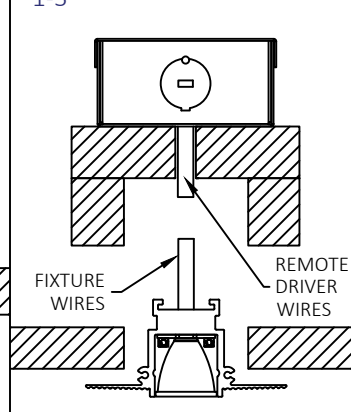
For use of the optional support bracket to mount the fixture, block in the fixture using the ceiling cutout dimensions as a guide. Material/blocking by others. Note: Leave a hole for the power feed cable. With this method, the fixture would be installed before the ceiling is finished.

1-2



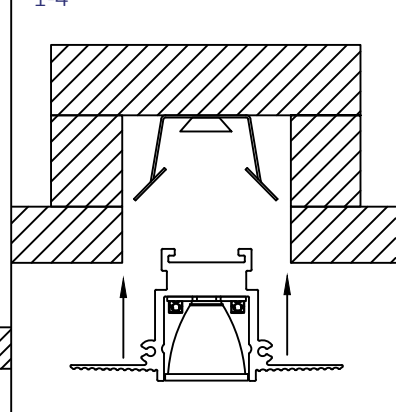
Use a 1/4-20 lag bolt or similar to secure the support bracket to the frame (hardware by others).

1-3



Run the wire from the remote driver box to the fixture and make any necessary electrical connections. Note: Spring clip not shown for clarity.

1-4



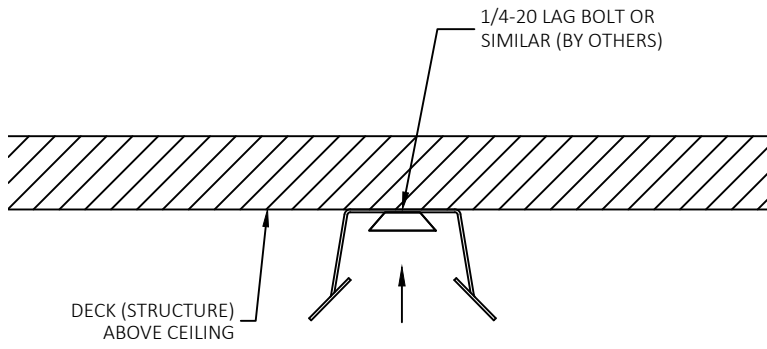
Raise the fixture upward until it snaps into the spring clip. Once fixture is clipped in, it is not removable. Removing will deform/destroy mounting spring clip. Please contact us for replacement spring clips.

INDIVIDUAL FIXTURES ARE NOT INTENDED FOR CONTINUOUS RUNS.
ADDITIONAL SUPPORTS TO THE STRUCTURE MAY BE REQUIRED.
*CHECK WITH YOUR LOCAL BUILDING CODE FOR THOSE REQUIREMENTS.



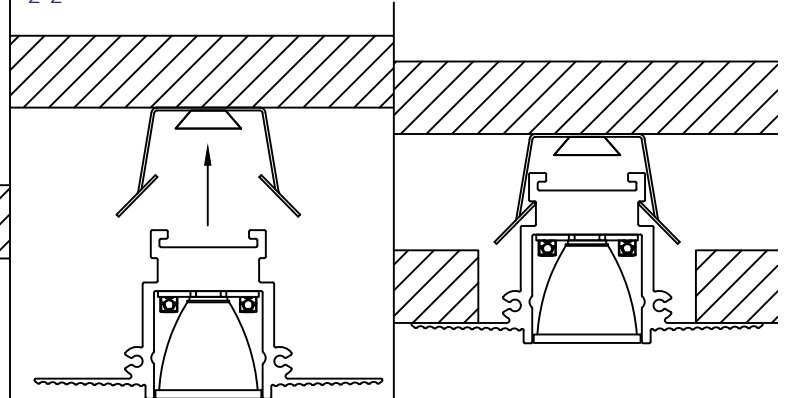
Risk of fire and electrical shock. In accordance with national local building and electrical codes, CORONET lighting fixtures must be installed by a qualified electrician. Disconnect power at electrical panel before servicing.

Option 2-1



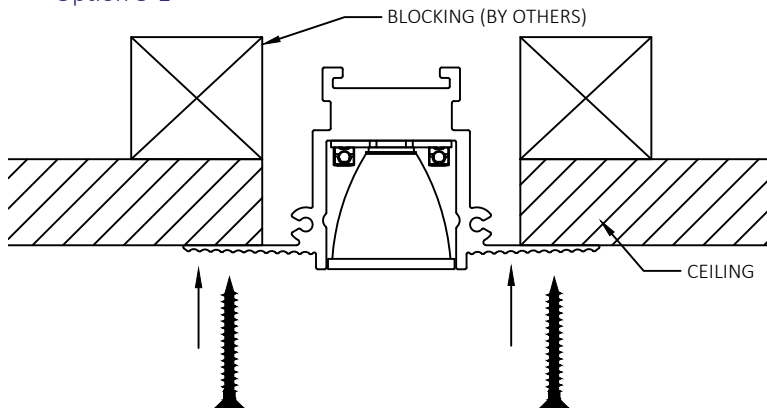
Mount the spring clip to building structure above using a 1/4-20 threaded rod and nuts (hardware by others).
Note: With this method, the fixture would be installed before the ceiling is finished.

2-2



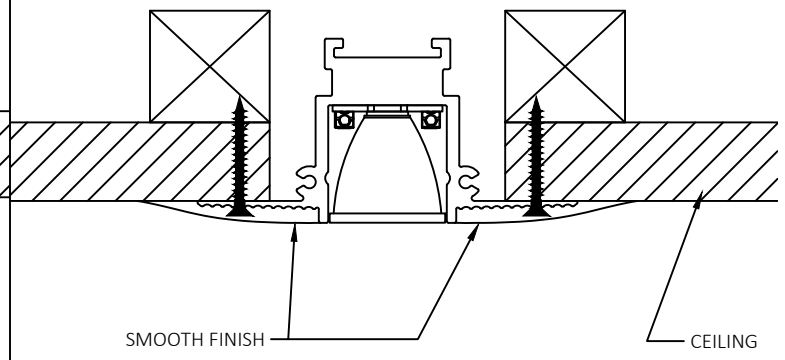
Follow the same procedure and warning as step 1-2 to 1-4. Build the ceiling around the fixture after it has been installed into the spring clip.

Option 3-1



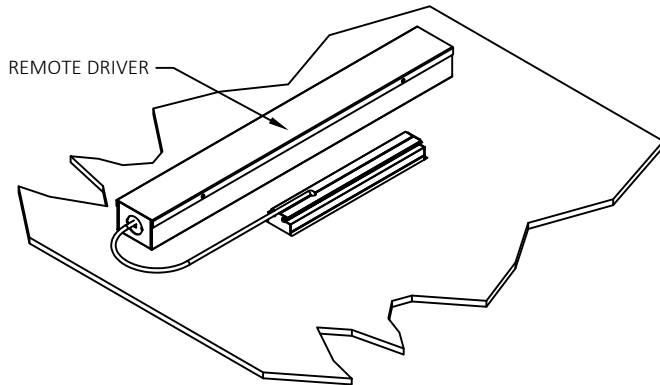
Install the fixture by screwing through the flange into the ceiling. After screwing the fixture into the ceiling, anchor the flange of the fixture properly (hardware by others).
Note: Sufficient blocking required behind the ceiling if using this option.

3-2



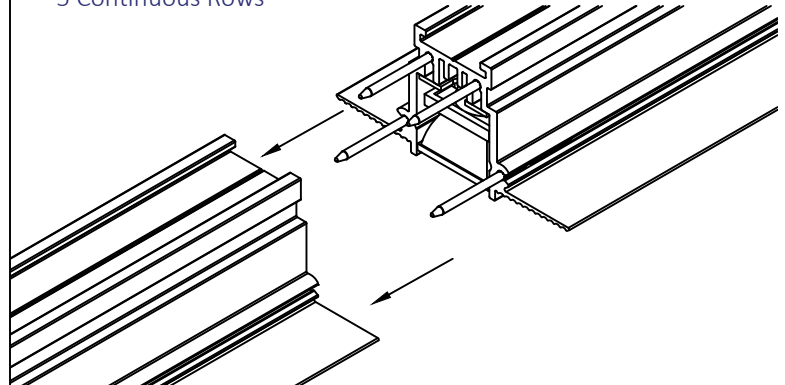
Spackle up to the side of the fixture covering the flange and screws.
Sand to create a smooth finish.
Note: Clean up any sand or plaster inside the fixture.

4



Finish installing the fixture and power it on to make sure everything works properly.

5 Continuous Rows



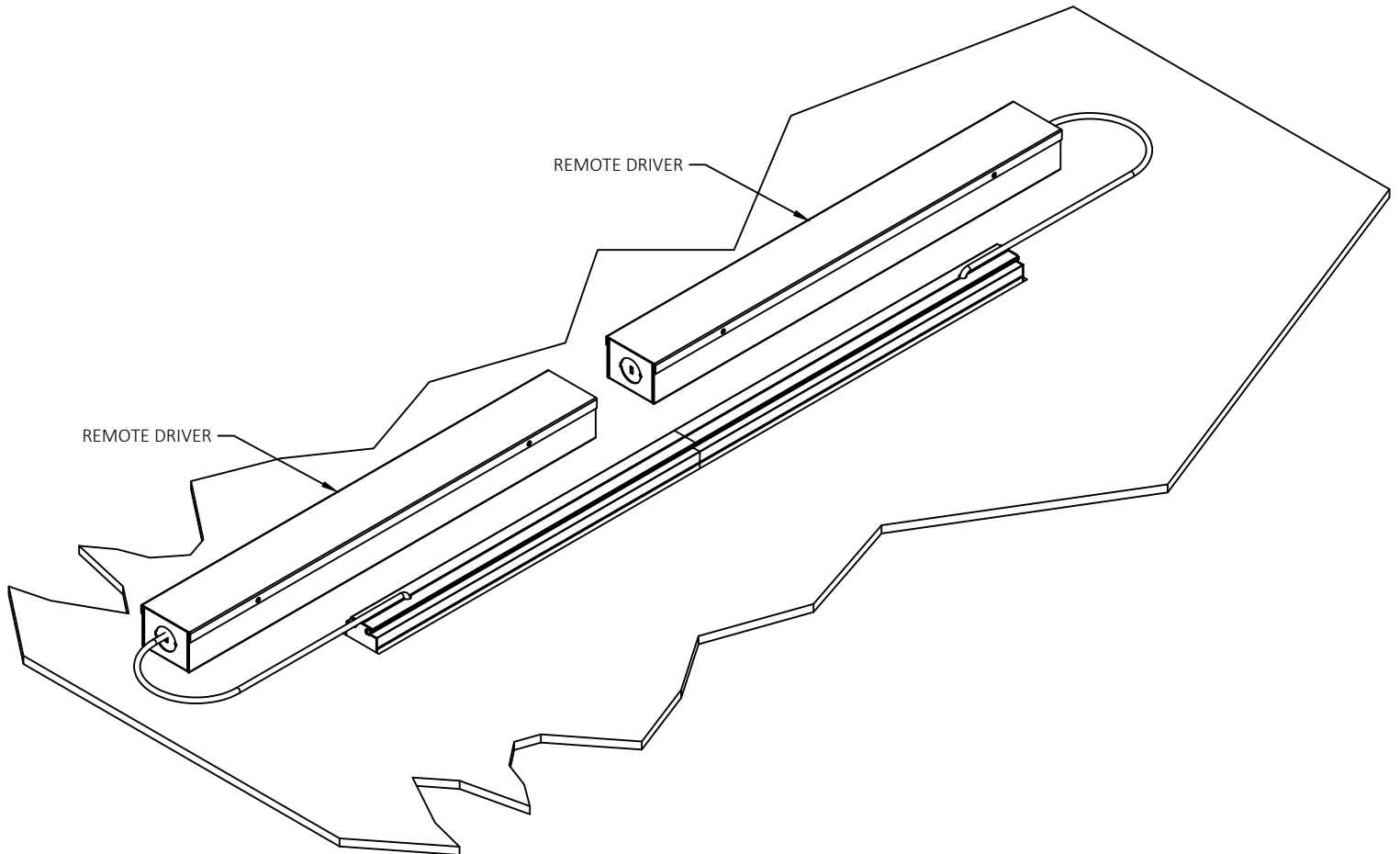
Align the two fixtures using the alignment pins.
Warning: Keep hands clear of connection.

INDIVIDUAL FIXTURES ARE NOT INTENDED FOR CONTINUOUS RUNS.
ADDITIONAL SUPPORTS TO THE STRUCTURE MAY BE REQUIRED. *
CHECK WITH YOUR LOCAL BUILDING CODE FOR THOSE REQUIREMENTS.



Risk of fire and electrical shock. In accordance with national local building and electrical codes, CORONET lighting fixtures must be installed by a qualified electrician. Disconnect power at electrical panel before servicing.

6



Repeat steps 1-2 to 1-4 to correctly mount the fixture. Note: A remote driver box will be required for each individual run of a continuous run for this fixture unless otherwise noted on the factory drawings.

GENERAL INSTALLATION CONSIDERATIONS - See submittal drawings for job specific data.

Operating Temperature.....-40°C to 50°C
 Operating Voltage.....110VAC-277VAC, 50Hz-60Hz
 Weight.....lb/ft
 Dimensions.....See submittal drawings

- Installation by a certified electrician only.
- Read and understand the installation instructions before attempting to install or use the fixture.
- Only use fixtures with voltage for which it is rated. Do not exceed the specified voltage and current input.
- Do not use the fixture if the housing, lens, or power cable is damaged.
- Ensure that the main power supply is off before installing or wiring the fixture.
- Method of wire connection to be determined by local electrical codes and regulations.
- The external flexible cable of this luminaire cannot be field replaced; if the cord is damaged, contact Coronet.
- The light source contained in this luminaire shall only be replaced by the lighting manufacturer or his service agent or a similar qualified person.

Please contact our technical support team for assistance.

INDIVIDUAL FIXTURES ARE NOT INTENDED FOR CONTINUOUS RUNS.
 ADDITIONAL SUPPORTS TO THE STRUCTURE MAY BE REQUIRED.
 *CHECK WITH YOUR LOCAL BUILDING CODE FOR THOSE REQUIREMENTS.