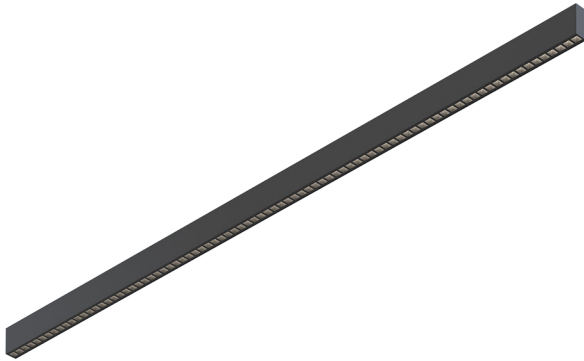


Rush Sharp indirect/direct

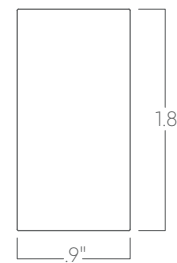


The Sharp Series of architectural luminaires features slim profiles, glare-free, beam shaping optical cells and several mounting options. Custom lengths are tailored to suit any modern space.

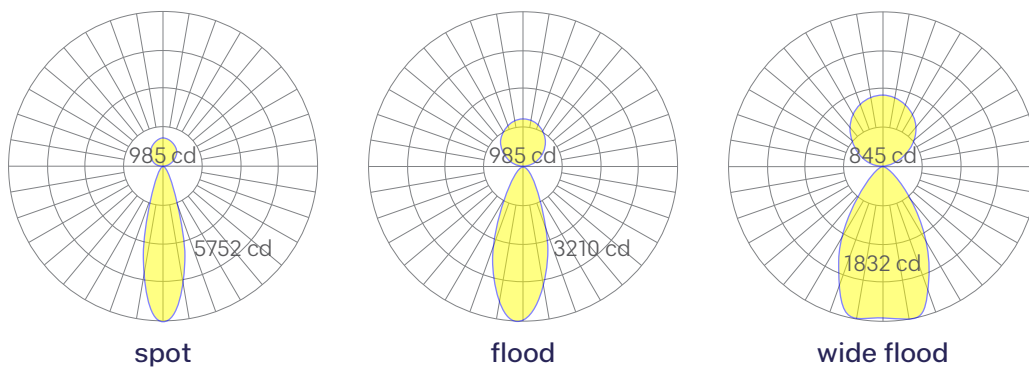
Features

- Power over aircraft cable system
- Extruded recycled aluminum housing
- Aluminum core LED boards, specifiable output
- Specifiable color temperature. CRI > 90, R9 > 50
- Custom lengths, welded patterns, and finishes available
- Specifiable dimmable drivers or PoE
- 5 Year, 50,000 hour warranty, damp location rated
- WELL Building Standard compatible [learn more](#)

Dimensions



Optics



Representative distribution and peak candela. For other options see order information or IES files [here](#).

Rush Sharp indirect/direct

Ordering Information

For each option group below specify one option. If you don't see your preferred option listed, contact us for [help](#).

1 Fixture ID	2 Length	3 Color Temperature	4 Output
RUSH SHARP UPDN	2 2 ft nominal 4 4 ft nominal 8 8 ft nominal X'X" Specify length <small>Custom lengths in 4.25" increments</small> PAT Pattern (Consult Factory)	27 2700K/90 CRI 30 3000K/90 CRI 35 3500K/90 CRI 40 4000K/90 CRI	Indirect LOW Low output MED Medium output HIGH High output CUST Custom output <small>Specify Watts or lumens</small> Direct LOW Low output MED Medium output HIGH High output CUST Custom output <small>Specify Watts or lumens</small>
5 Voltage	6 Driver	7 Finish	8 Mounting
UNV Universal (120/277V) 347V 347V <small>Available for DB Driver only</small>	DB Standard 0-10V 1% DB.1% 0-10V 0.1% ELV Reverse Phase 1% (120V only) <small>For compatible dimmers, click here.</small> TRI Forward phase (120V only) <small>For compatible dimmers, click here.</small> DALI DALI-2 Driver DMX DMX512 <small>All DMX drivers set to default address 001 and provided in remote enclosures. Contact us for other addressing needs.</small> <small>All drivers provided in remote enclosures.</small>	Housing W White BLK Black CC Custom Color <small>See finish options here.</small> Louver W White BLK Black Decorative Pendant Stem BRS Brass SLV Silver W White BLK Black	ACP Power over Aircraft Cable ACP3.5 3.5" canopy + Jbox adaptor <small>adaptor must be mudded in. White canopies and power cord unless option specified in section 12.</small> DPS Decorative Pendant Stem <small>6.5" tall stem, only available with power over aircraft cable</small>
9 Optics	10 Sensors/Controls	11 Circuit	12 Options
7a - Indirect SD Standard Diffuser 7b - Direct SP 24° Beam FL 36° Beam WFL 55° Beam	NA None ACM Acuity nLight Module Only CCS Casambi Module AWNRR Lutron Athena Wireless Node Module OTHER Consult Factory <small>All controls remote.</small>	NA None DC Dual Circuit (separate indirect/direct control) <small>May require additional power feeds.</small> EMPCK Emergency battery pack <small>May require additional power feeds.</small> EMCKT Emergency circuit <small>May require additional power feeds.</small> DAYCKT Daylight circuit <small>May require additional power feeds.</small>	STD White Canopy CAN-X Canopy + color <small>See finish options here</small>

Performance

Output ¹	Indirect		Direct	
	Watts/ft	Lumens/ft	Watts/ft	Lumens/ft
Low	4	396	4	312
Medium	6	594	6	469
High	8	792	8	625

¹Based on WFL optic, black louver, 90 CRI, 3500K luminaire using one driver.
 Custom outputs available. Please consult factory.
 For 4000K multiply by 1.05; for 3000K, 0.9; for 2700K, 0.92.

Technical Information



click [here](#) or scan QR code

Wiring diagrams, PoE and sensor details

Rush Sharp indirect/direct

Drivers & Electrical

Remote, dimmable drivers are supplied in enclosures.
For remote driver box sizes, click [here](#).

Emergency Back-Up

For fixtures three-feet or longer, a 4W remote emergency driver may be wired to 4ft sections. 7W, 10W, and 12W drivers are also available. Emergency circuits for use with building generators are also available.

Finishes

All luminaires are finished in high quality polyester powder coating. Our standard color is white. Any RAL color may be specified.

Weight

1 lb per foot

Optics

Glare-free, beam-controlling TIR optics.

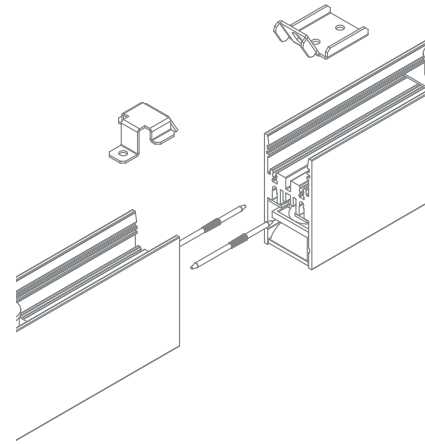
Construction

Extruded, recycled aluminum housing with formed cast ends.

Joined Runs

Runs of any length¹ may be specified and are comprised of multiple, factory-engineered, joined sections. Individually specified luminaires are not field joinable.

¹Custom lengths available in 12" nominal increments.



Representative joinery. For product specific details see installation guides or submittal drawings.

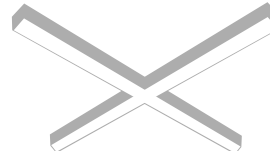
Patterns

Featuring illuminated welded corners and angles. Consult factory for custom designs and elevations.

Square



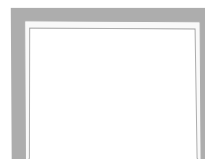
X



T



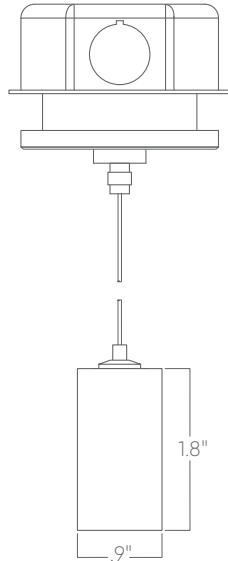
Wall/Ceiling



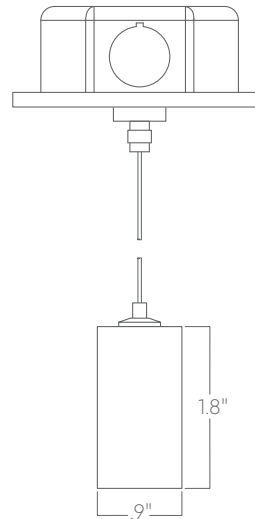
Rush Sharp indirect/direct

Mounting Options

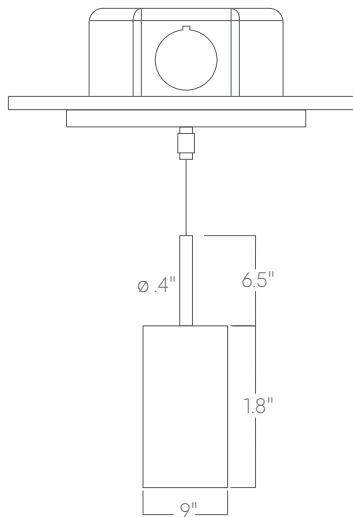
Custom mounting types and ceiling transitions available; consult factory.



**Power over aircraft cable
3.5" canopy**



**Power over aircraft cable
5" canopy**



Decorative Pendant Stem

Please consult factory shop drawings for suspension points.

To prevent damage to fixtures, factory designated suspension points must not be field altered.

Do not attempt installation if you do not understand the installation instructions.