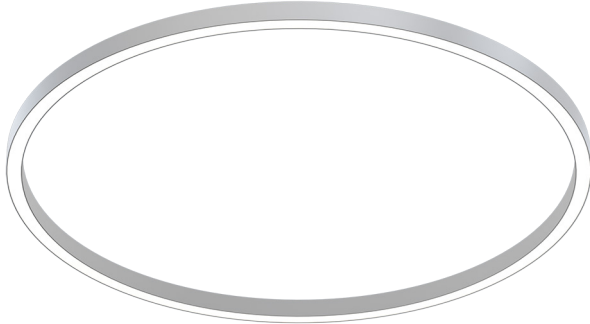


# Ring 6ft indirect/direct

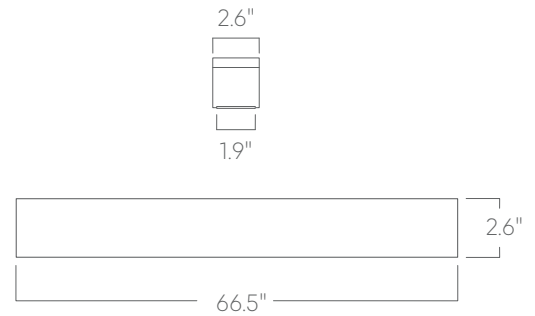


Our Performance Decorative luminaires offer a variety of decorative forms and sizes suitable for any modern space.

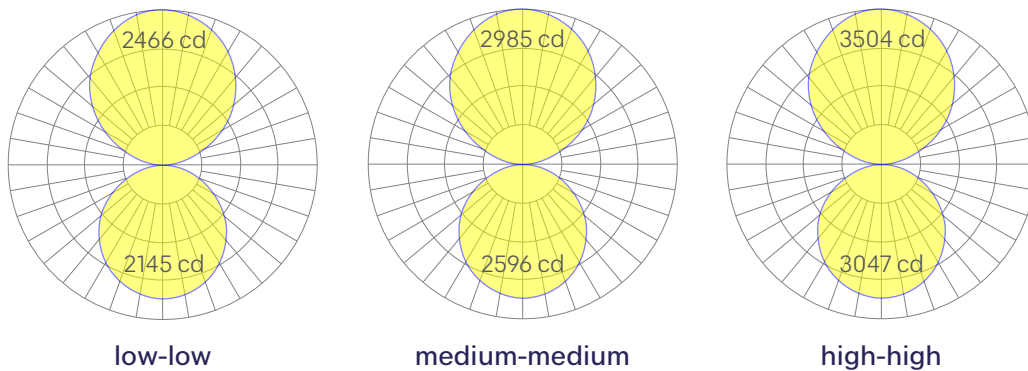
## Features

- Rolled extruded aluminum
- Specifiable color temperature. CRI > 90, R9 >50
- Specifiable dimmable drivers or PoE
- Custom colors and wood finishes finishes available
- 5 Year, 50,000 hour warranty, damp location rated
- WELL Building Standard compatible [learn more](#)

## Dimensions



## Optics



Representative distribution and peak candela. For other options see order information or IES files [here](#).

# Ring 6ft indirect/direct

## Ordering Information

For each option group below specify one option. If you don't see your preferred option listed, contact us for [help](#).

1 Fixture ID	2 Length	3 Color Temperature	4 Output
<b>RING UPDN</b>	<b>6</b> 6 ft	<b>27</b> 2700K/90 CRI <b>30</b> 3000K/90 CRI <b>35</b> 3500K/90 CRI <b>40</b> 4000K/90 CRI	<b>Indirect</b> <b>LOW</b> Low output <b>MED</b> Medium output <b>HIGH</b> High output <b>CUST</b> Custom output Specify Watts or lumens  <b>Direct</b> <b>LOW</b> Low output <b>MED</b> Medium output <b>HIGH</b> High output <b>CUST</b> Custom output Specify Watts or lumens.
5 Voltage	6 Driver	7 Finish	8 Mounting
<b>UNV</b> Universal (120/277V) <b>347V</b> 347V Available for DB Driver only	<b>DB</b> Standard 0-10V 1% <b>PoE</b> Power over Ethernet.	<b>W</b> White <b>BLK</b> Black <b>SLV</b> Silver <b>CC</b> Custom Color See finish options <a href="#">here</a> . <b>CWF</b> Custom Wood Finish See finish options <a href="#">here</a> .	<b>AC-CENT</b> Aircraft Cable Suspended from a center canopy 50" steel cable provided. White canopies and power cord unless option specified in section 12.  <b>AC-MULTI</b> Aircraft Cable Individual suspension points 50" steel cable provided. White canopies and power cord unless option specified in section 12.
9 Optics	10 Sensors/Controls	11 Circuit	12 Options
<b>9a - Indirect</b> <b>SD</b> Standard Diffuser  <b>9b - Direct</b> <b>SD</b> Standard Diffuser	<b>NA</b> None <b>ACM</b> Acuity nLight Module Only <b>CCS</b> Casambi Module <b>AWNR</b> Lutron Athena Wireless Node Module <b>OTHER</b> Consult Factory	<b>NA</b> None <b>DC</b> Dual Circuit (separate indirect/direct control) May require additional power feeds. <b>EMPCK</b> Emergency battery pack May require additional power feeds. <b>EMCKT</b> Emergency circuit May require additional power feeds. <b>DAYCKT</b> Daylight circuit May require additional power feeds.	<b>STD</b> White Canopy + White Cord <b>CAN-X</b> Canopy + color See finish options <a href="#">here</a> . <b>SJ-BLK</b> Black cord <b>SJ-WHT</b> White cord

## Performance

Output <sup>1</sup>	Indirect		Direct	
	Watts	Lumens	Watts	Lumens
Low	95	7122	95	6177
Medium	115	8621	115	7497
High	135	10120	135	8831

<sup>1</sup>Based on a typically configured 90 CRI, 3500K luminaire using one driver.  
Custom outputs available. Please consult factory.  
For 4000K multiply by 1.05; for 3000K, 0.9%; for 2700K, 0.92.

## Technical Information



click [here](#) or  
scan QR code

Wiring diagrams, PoE and sensor details

# Ring 6ft indirect/direct

## Emergency Back-Up

Emergency, battery-powered drivers are available. Emergency circuits for use with building generators are also available.

## Drivers & Electrical

Remote, dimmable drivers are supplied in enclosures. For remote driver box sizes, click [here](#).

## PoE (Power over Ethernet)

Compatible with virtually all PoE systems including Molex Coresync, Igor, Smartengine, Platformatics, and NuLED SPICEbox. Consult Factory for systems not listed, See [here](#) for more info.

## Weight

25 lbs

## Optics

Laser-cut, cast, high-transmission acrylic lens with no LED imaging.

## Construction

Rolled extruded aluminum.

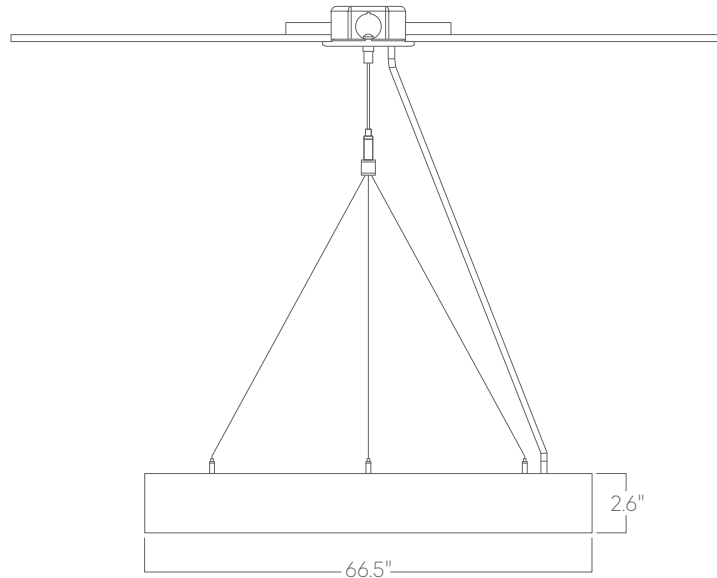
## Finishes

All luminaires are finished in high quality polyester powder coating. Our standard color is white. Any RAL color may be specified.

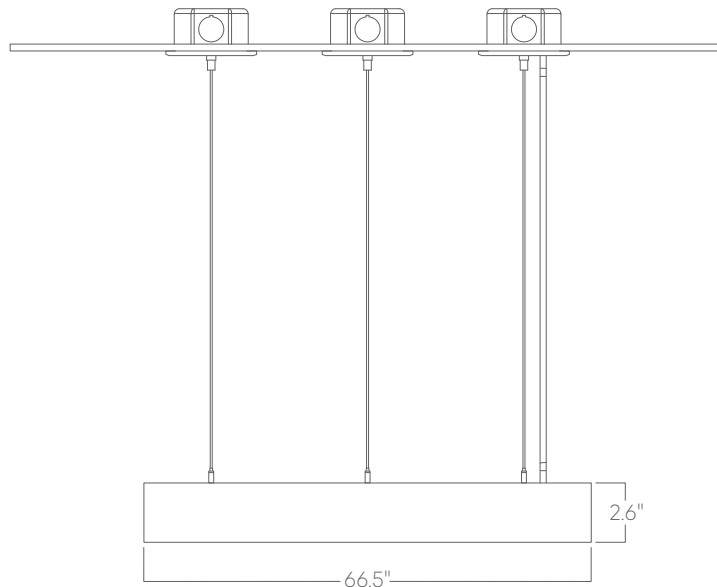
# Ring 6ft indirect/direct

## Mounting Options

Custom mounting types and ceiling transitions available; consult factory.



**Aircraft cable**



**Aircraft cable (Individual susp. points)**

**Please consult factory shop drawings for suspension points. To prevent damage to fixtures, factory designated suspension points must not be field altered.**