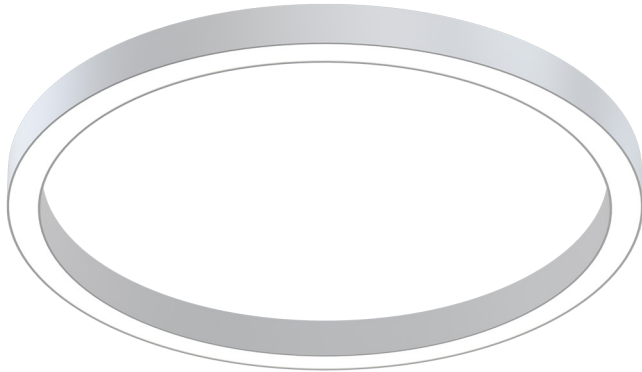


# Ring 3ft direct

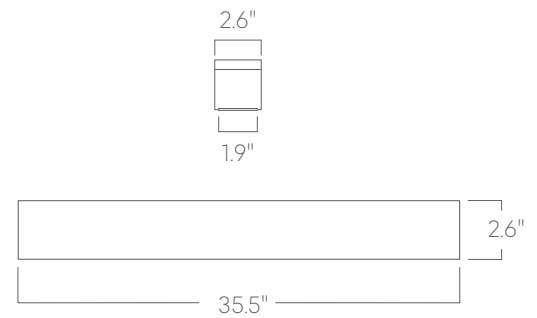


Our linear architectural luminaires offer a wide range of profiles and mounting options. Custom lengths and patterns are tailored to suit any modern space.

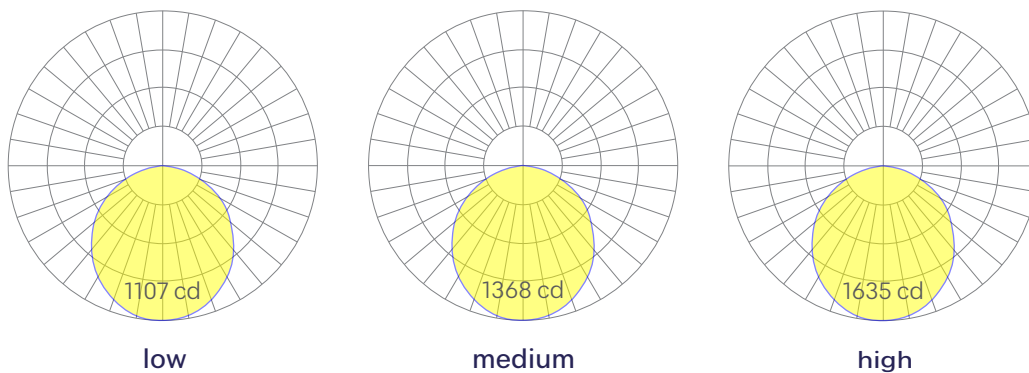
## Features

- Extruded, recycled aluminum housing
- Aluminum core LED boards, specifiable optics
- Specifiable color temperature. CRI > 90, R9 >50
- Custom lengths, welded patterns, and finishes available
- Specifiable dimmable drivers or PoE
- 5 Year, 50,000 hour warranty, damp location rated
- WELL Building Standard compatible [learn more](#)

## Dimensions



## Optics



Representative distribution and peak candela. For other options see order information. See IES files [here](#).

# Ring 3ft direct

## Ordering Information

For each option group below specify one option. If you don't see your preferred option listed, contact us for [help](#).

1	Fixture ID	2	Length	3	Color Temperature	4	Output
	<b>RING</b>	<b>3</b>	3 ft	<b>27</b> <b>30</b> <b>35</b> <b>40</b>	2700K/90 CRI 3000K/90 CRI 3500K/90 CRI 4000K/90 CRI	<b>LOW</b> <b>MED</b> <b>HIGH</b> <b>CUST</b>	Low output Medium output High output Custom output Specify Watts or lumens
5	Voltage	6	Driver	7	Finish	8	Mounting
<b>UNV</b> <b>347V</b>	Universal (120/277V) 347V Available for DB Driver only	<b>DB</b> <b>DB.1%</b> <b>PoE</b>	Standard 0-10V 1% Driver housed in canopy 0-10V 0.1% Driver housed in remote enclosure Power over Ethernet Driver housing varies	<b>W</b> <b>BLK</b> <b>SLV</b> <b>CC</b> <b>CWF</b>	White Black Silver Custom Color See finish options <a href="#">here</a> . Custom Wood Finish See finish options <a href="#">here</a> .	<b>AC-CENT</b> <b>AC-MULTI</b>	Aircraft Cable Suspended from a center canopy 50" steel cable provided. White canopies and power cord unless option specified in section 12. Aircraft Cable Individual suspension points 50" steel cable provided. White canopies and power cord unless option specified in section 12.
9	Optics	10	Sensors/Controls	11	Circuit	12	Options
<b>SD</b>	Standard Diffuser	<b>NA</b> <b>EIS</b> <b>WISM</b> <b>WISD</b> <b>ACM</b> <b>ACS</b> <b>CCS</b> <b>AWN</b> <b>AWNR</b> <b>OTHER</b>	None Enlighted sensor Wattstopper occupancy Wattstopper daylight Acuity nLight® module only Acuity nLight® Casambi module Lutron Athena Wireless Node Module Consult Factory	<b>NA</b> <b>EMPCK</b> <b>EMCKT</b> <b>DAYCKT</b>	None Emergency battery pack May require additional power feeds. Emergency circuit May require additional power feeds. Daylight circuit May require additional power feeds.	<b>STD</b> <b>CAN-X</b> <b>SJ-BLK</b> <b>SJ-WHT</b>	White Canopy + White Cord Canopy + color See finish options <a href="#">here</a> . Black cord White cord

## Performance

Output <sup>1</sup>	Watts	Lumens
Low	44	3154
Medium	56	3897
High	69	4657

<sup>1</sup>Based on a typically configured 90 CRI, 3500K luminaire using one driver.  
Custom outputs available. Please consult factory.  
For 4000K multiply by 1.05; for 3000K, 0.9%; for 2700K, 0.92.

## Technical Information



click [here](#) or  
scan QR code

Wiring diagrams, PoE and sensor details

# Ring 3ft direct

## Emergency Back-Up

Emergency, battery-powered drivers are available. Emergency circuits for use with building generators are also available.

## Drivers & Electrical

Remote, dimmable drivers are supplied in enclosures. For remote driver box sizes, click [here](#).

## PoE (Power over Ethernet)

Compatible with virtually all PoE systems including Molex Coresync, Igor, Smartengine, Platformatics, and NuLED SPICEbox. Consult Factory for systems not listed, See [here](#) for more info.

## Weight

5 lbs per foot

## Optics

Laser-cut, cast, high-transmission acrylic lens with no LED imaging.

## Construction

Rolled extruded aluminum.

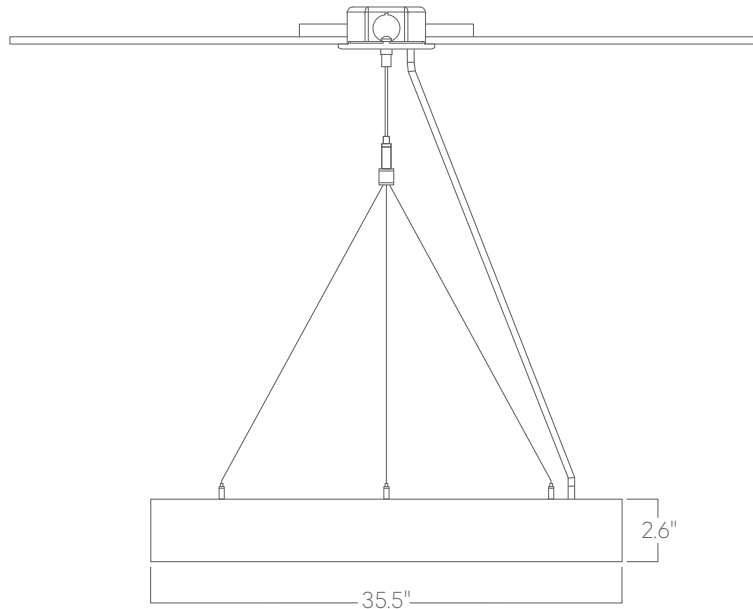
## Finishes

All luminaires are finished in high quality polyester powder coating. Our standard color is white. Any RAL color may be specified.

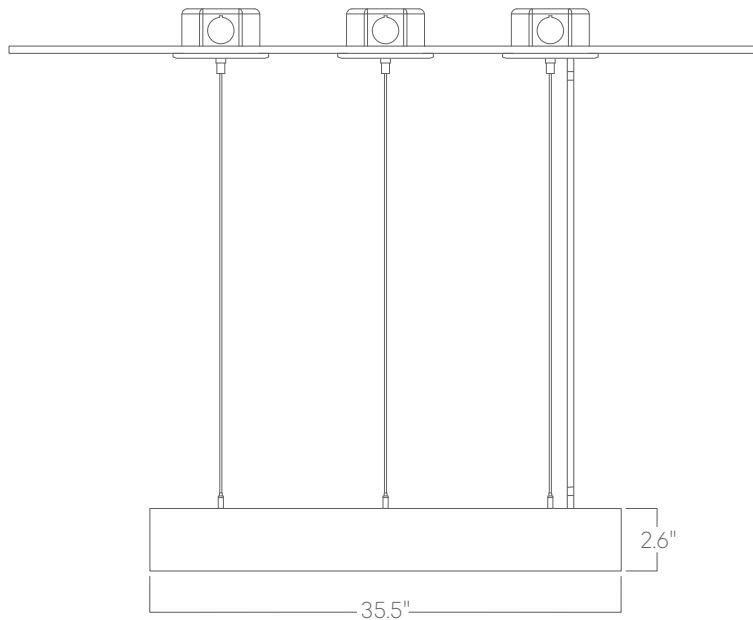
# Ring 3ft direct

## Mounting Options

Custom mounting types and ceiling transitions available; consult factory.



**Aircraft cable**



**Aircraft cable (Individual susp. points)**

**Please consult factory shop drawings for suspension points. To prevent damage to fixtures, factory designated suspension points must not be field altered.**